

High Specular Fluorescent High Bay



Model	Bulb	Length	Lamp	Watt	Volt
HSHB-4T5PQ	T5	4' 1/4" x 13 3/4" x 3 3/4"	4	54W	Universal
HSHB-6T5PQ	T5	4' 1/4" x 20" x 3 3/4"	6	54W	Universal
HSHB-4T8PQ	T8	4' 1/4" x 13 3/4" x 3 3/4"	4	32W	Universal
HSHB-6T8PQ	T8	4' 1/4" x 20" x 3 3/4"	6	32W	Universal

Sun and Stars Lighting, Inc
517 Monterey Pass Rd.
Monterey Park, CA 91754

The High Specular High Bay is an ideal lighting source for high ceiling and large space that need high out-put light fixture. It has a high quality aluminum that reflects more than 95% of light and a wider body that creates larger angle of illumination. As a result, this fixture has stronger and bigger illumination. The heavy gauge steel body and phosphate pretreatment ensures durability and inhibits rusting. Just like all of our high bays, it can be installed or removed easily without. If desired, the High Bay can be ordered upon request with the new Program Start System. Program start system is energy and money efficient since it has motion sensor and allows you to turn it on or off with a timing device.

Phone: (626) 401-1228
Fax: (626) 401- 1220
Email: sales@sunstarslighting.com



Benefit:

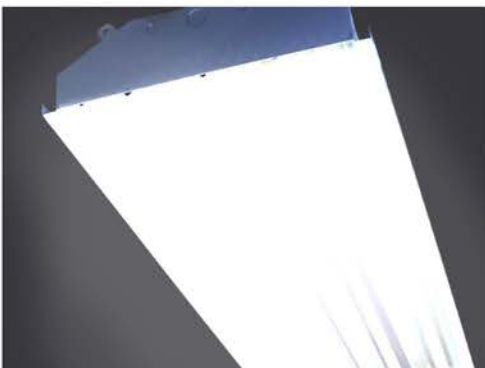
- High out-put universal electronic ballast suitable for higher ceiling and bigger space.
- High quality electronic ballast reduces maintains cost.
- Wider body design provide larger illumination angle.
- All welded assembly and post painted for maximum operating life.
- Die formed heavy gauge steel. Tight fit for ease of maintenance and easily removed without use of tools.
- Fluorescent lamp has a better lighter color rendering than HID.
- The high bay can be place for 15ft - 45ft high ceiling.
- 25% more effective than normal regular high bay.

Structure:

- Thick aluminum reflectors with Vega-95% reflection.
- 20-gauge steel though out the whole body.
- Multistage steel phosphate pretreatment ensures maximum bonding and rust inhibitor.
- Pretreated with five-stage iron phosphate process ensures superior paint adhesion.
- Instant restrike high out-put universal electronic ballast
- Ballasts are UL Class "P" and are positively secured by mounting bolts.
- High quality twist locks socket and disconnectors
- Motion Sensor (optional)

Application:

- Warehouse
- Storage Room
- Factory
- Parking structure
- Commercial





Ballast (Electrical System):

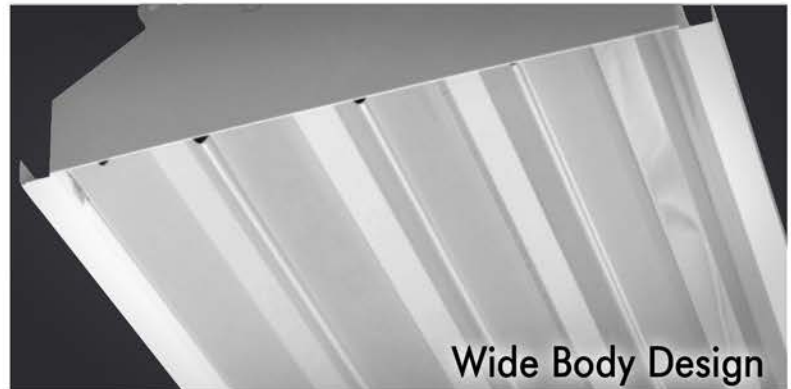
- Class "P"
- Positively secured by mounting bolts
- UL and CUL listed
- Thermal protected
- High Power Factor
- Non-PCB
- Electronic ballasts sound rated A.
- Comply with federal energy efficiency standards
- GE and Keystone Ballast (Optional)

Lamps (Optional)

- F32 T8/841 (CEE List)
- F32 T8/850 (CEE List)
- F54 T5/841 (CEE List)
- F54 T5/850 (CEE List)

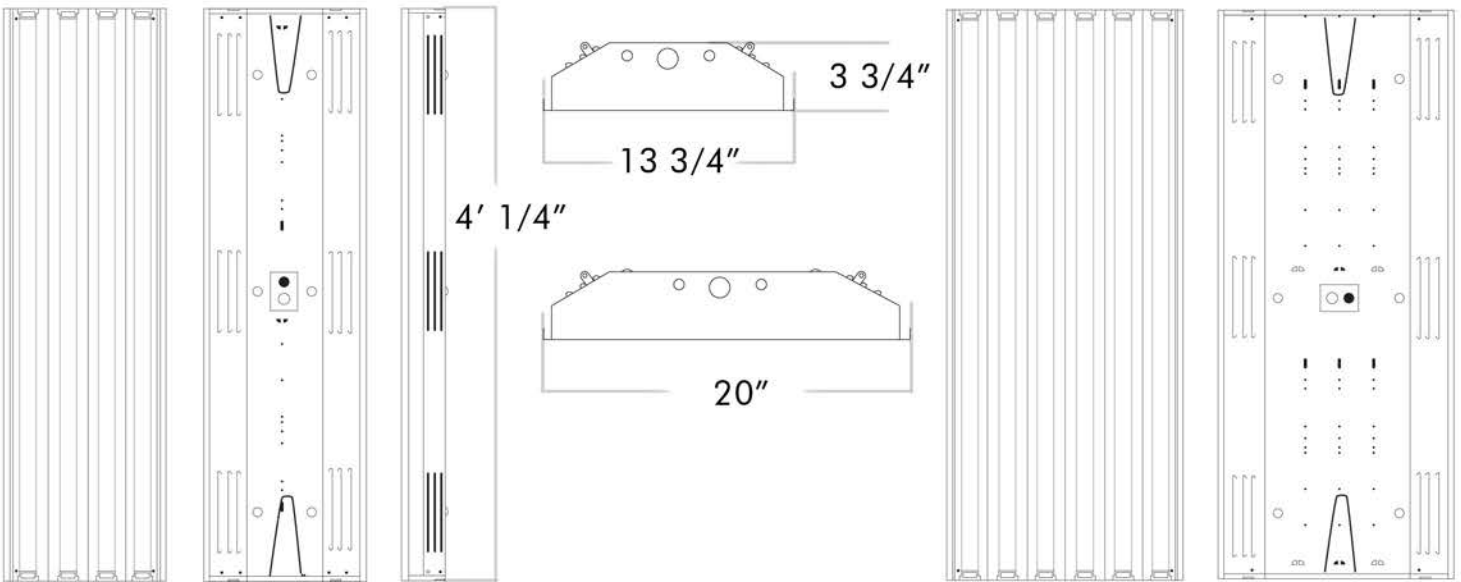
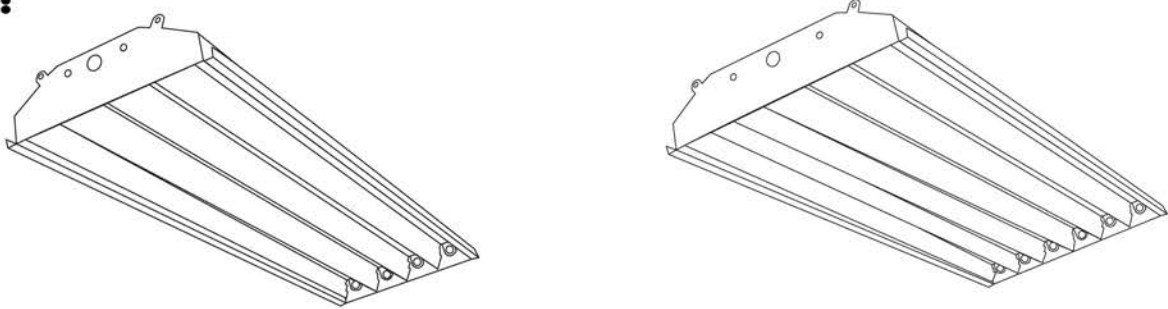
Mounting Option:

- AYC Chain Mount
- EYE Chain Mount
- Ceiling Mount



Specifications

Diagram:



Model	Bulb	Dimension	Lamp	Watt	Ballast
HSHB-4T5PQ	T5	4'1/4"x13 3/4"x 3 3/4"	4	54W	Universal Electronic Ballast
HSHB-6T5PQ	T5	4'1/4"x13 3/4"x 3 3/4"	6	54W	Universal Electronic Ballast
HSHB-4T8PQ	T8	4'1/4"x13 3/4"x 3 3/4"	4	32W	Universal Electronic Ballast
HSHB-6T8PQ	T8	4'1/4"x13 3/4"x 3 3/4"	6	32W	Universal Electronic Ballast

Order Information:

Sun and Stars Lighting, Inc
 517 Monterey Pass Rd.
 Monterey Park, CA 91754

Phone: (626) 401-1228
 Fax: (626) 401- 1220
 Email: sales@sunstarslighting.com

Warranty:

2 years warranty for the ballast
 1 year warranty for fixture