

2D Group

Type: Rapid Start Electronic Ballast
 Lamp Connection: Single Lamp
 Lamp Types: One 2D 21W, 28W, or 38W
 SLI lamps or cross reference
 GE, Philips or Sylvania/OSRAM lamps

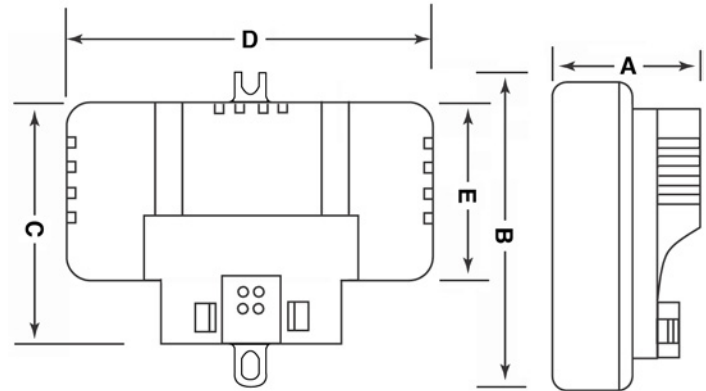


SPECIFICATIONS

Model Number	Input Voltage	Number of Lamps	Lamp Type	Lamp Watts	Input Watts (typical)	Input Current (typical)	Power Factor	Crest Factor	Ballast Factor	Bench Heat Test at 23°C Ambient
AN-121PC	120V	1	2D	21W	19W	0.30A	0.45	<1.7	0.90	<20°C
AN-721PC	277V	1	2D	21W	23W	0.07A	0.45	<1.7	0.90	<25°C
AN-128PC	120V	1	2D	28W	31W	0.45A	0.45	<1.7	0.90	<20°C
AN-728PC	277V	1	2D	28W	31W	0.13A	0.45	<1.7	0.90	<20°C
AN-138PC	120V	1	2D	38W	39W	0.56A	0.45	<1.7	0.90	<20°C
AN-738PC	277V	1	2D	38W	39W	0.15A	0.45	<1.7	0.90	<20°C

SAFETY & PERFORMANCE

- UL Listed (120V only)
- cUL Listed (120V only)
- Normal Power Factor
- Indoor Applications Only
- Use only with an electrical enclosure
- Auto Restart
- Surge Protection
- Class P Thermally Protected (Inherent)
- EMI/RFI: Meets FCC Part 18 Subpart E
- No PCBs



APPLICATION

- Minimum Starting Temp 0°C
- Maximum Case Temp 75°C
- Remote Wiring Length up to 18 ft

Wiring Lengths	
Black	14.5"
White	14.5"

DIMENSIONS

Lamp	A	B	C	D	E	Mounting on Center	Weight	Case Quantity
16 or 21 Watt	1.42"	3.27"	2.625"	4.18"	1.625"	2.875"	0.24	50
28 or 38 Watt	1.46"	3.82"	3.125"	4.33"	2.375"	3.88"	0.33	40

INSTALLATION

- Install in accordance with the National Electrical Code
- Use with 600V rated wire
- Use external ground wire
- Do not connect any lamp lead to neutral
- Mounting side of ballast package must be in complete contact with metallic fixture surface for proper thermal dissipation



WARRANTY

AC Electronics warrants to the purchaser that each electronic ballast will be free from defects in material or workmanship for a period of 3 years from the date of manufacture when properly installed and under normal conditions of use.

Administration & Distribution Center: 3401 Avenue D, Arlington, TX 76011
 1-800-375-6355 • www.ace-ballast.com

Data is based upon tests performed by AC Electronics in a controlled environment and representative performance. Actual performance can vary depending on operating conditions. Specifications are subject to change without notice. All specifications are nominal unless otherwise noted.

