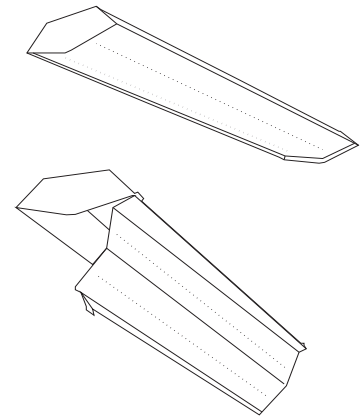


Designed to perform and excel in industrial applications

HIGH BAY G10L LED



PHILIPS HIGH BAY G10L / LED WITH HINGED TRAY

A high efficiency, 10" wide LED high bay that provides exceptional light distribution for general areas. Designed with low cost of ownership in mind, the G10L is an economical full body fixture that takes advantage of high efficiency, long life LED technology. The hinged LED tray pivots down with a quick release, allowing for immediate access to all internal fixture components. This unique design adds the benefit of quicker, easier fixture maintenance.

Ordering guide

Lexample: G10L 4FT 18L UV 850

Family Name	Length	Lumens ²	Voltage	CRI/CCT	Hanging	Options
<input type="text"/>	<input type="text"/>	<input type="text"/>	<input type="text" value="UV"/>	<input type="text"/>	<input type="text"/>	<input type="text"/>
G10L G10LP Economical pre-painted body	4FT Length	09L 9,000 lm 14L 14,000 lm 18L 18,000 lm	UV 120-277V	835 80+ CRI/3500K 840 80+ CRI/4000K 850 80+ CRI/5000K ¹	Blank V-Chain Hangers JB Slide-On Junction Box PS Pendant Stabilizer QB Quick Hang Bracket (24", 30" or 36") QBH Quick Hang Bracket with Hook (24", 30" or 36") QBT Quick Hang Bracket for Threaded Rod (24", 30" or 36") QC Quick Hang Cable (10') QC() Quick Hang Cable (Specify Length) SPSH 12" Stem/PS/Hook SPST 12" Stem/PS/ Toggle	C() Single Circuit Cord (Specify Length) 6T1 6' Cord with L5-15 Locking End 6T2 6' Cord with L7-15 Locking End E() Emergency Pack (# Lumens) F Inline Fuse OS Occupancy Sensor (On/Off) OS(DIM) Occupancy Sensor (On/Off/Dim) FSP-211 Programmable Occupancy sensor (on/off/dim) SC Safety Cable WG Wire Guard (Unpainted) WWG White Wire Guard 20G 20 Gauge PC Photocell SDT 480V-277V Step Down Transformer

Note:

¹ Consult factory on availability of 5000K boards.

² Nominal delivered lumens.

* Not all configurations and options are on the DLC Qualified Products List. Consult factory or DLC website for most up to date list of qualified products.



PHILIPS

HIGH BAY G10L LED

Accessories

- FSIR-100 - Handheld remote configuration tool for FSP-211

Applications

- General Areas
- Warehouses
- Manufacturing
- Open construction retail
- Gymnasiums (with Wire Guard)

Features

- 0-10V dimming drivers standard on all models
- Hinged LED tray pivots down for easy access to internal fixture components.
- Future proof design: LED light engines and drivers are field replaceable and can be upgraded when newer, more efficient technology becomes available
- DesignLights Consortium® qualified product.¹

¹ Not all configurations and options are on the DLC Qualified Products List. Consult factory or DLC website for most up to date list of qualified products.

Product construction

The G10L fixture body is brake formed from heavy gauge cold rolled steel. Ends are permanently riveted together for strength and rigidity. This one piece heat conducting assembly, along with the fixtures' arc bottom, provide an exceptional means of heat dissipation, allowing for higher lumen output and increased LED system life. The housing and LED tray are painted with a highly durable, highly reflective, white powder-coat finish.

Mounting methods

- G10L fixtures offer flexible mounting methods that most commonly include: standard V-chain hangers and Y-style quick hang cable kit. There are several other mounting options available that can be seen in the ordering guide.

Warranty

5 Year limited system warranty. See www.philips.com/ optimum for complete warranty details.

Catalog No.	Nominal Wattage
G10L 4FT 09L UV	80W
G10L 4FT 14L UV	120W
G10L 4FT 18L UV	160W

Note:

Wattage draw subject to change without notice. Consult factory for most up to date specifications.

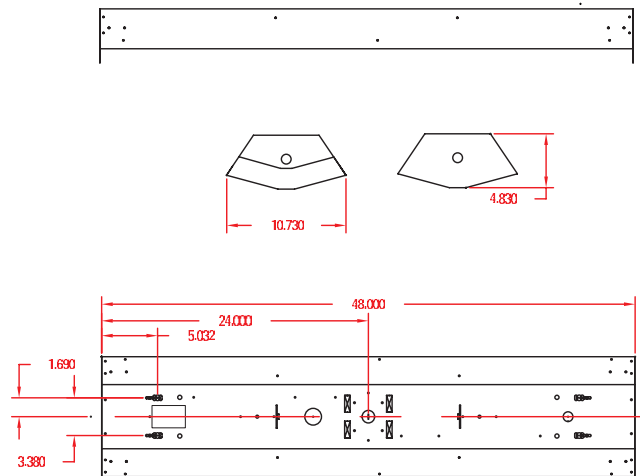
Predicted L70 Lifetime

60,000 hrs @ 25°C Ambient (based on LM-80 and TM-21 data).

Listings

All fixtures are UL approved.

Dimensions



* Fixture dimensions subject to change without notice. Consult factory for most up to date schematics.

HIGH BAY G10L LED

High Bay G10L, 4000K, 9201 delivered lumens

Catalog No. G10L 4FT 09L UV 840 Test No. 449903 S/MH 1.3 Lamp Type LED Lumens/Lamp 9201 Input Watts 81W	Candlepower						Light Distribution			Average Luminance			
	Angle	Along	22.5	45	67.5	Across	Degrees	Lumens	% Fixture	Angle	Along	45°	Across
	0	3033	3033	3033	3033	3033	0-30	2377	25.8	45	9309	9175	9098
	5	3027	3015	3010	3019	3036	0-40	3915	42.6	55	9157	8976	8879
	10	2995	2983	2979	2984	3001	0-60	7023	76.3	65	8525	8514	8561
	15	2940	2931	2919	2921	2936	0-90	9201	100.0	75	6973	8243	9308
	20	2863	2850	2836	2835	2848	40-90	5285	57.5	85	3412	12502	15497
	25	2764	2745	2730	2728	2742	60-90	2178	23.7				
	30	2637	2617	2603	2603	2604	90-180	0	0.0				
	35	2496	2470	2460	2453	2448	0-180	9201	100.0				
	40	2325	2300	2292	2284	2274							
	45	2140	2109	2102	2093	2084							
	50	1932	1902	1893	1882	1879							
	55	1708	1673	1668	1655	1650							
	60	1450	1423	1419	1417	1420							
	65	1172	1160	1166	1176	1172							
	70	878	882	917	948	954							
	75	587	612	693	764	780							
	80	315	372	507	611	638							
	85	97	196	353	456	438							
	90	1	4	5	3	3							

Coefficients of Utilization									
EFFECTIVE FLOOR CAVITY REFLECTANCE 20 PER (pfc=0.20)									
pcc	80			70			50		
	70	50	30	70	50	30	50	30	
pw									
RCR									
0	119	119	116	116	116	116	111	111	
1	109	104	100	106	102	98	97	94	
2	99	91	85	97	89	83	86	81	
3	91	80	72	88	79	72	76	70	
4	84	72	63	81	71	63	68	61	
5	77	64	55	75	63	55	61	54	
6	71	57	49	69	56	48	55	47	
7	65	51	43	63	51	42	49	41	
8	60	46	38	59	46	38	44	37	
9	56	42	34	54	42	34	40	33	
10	52	38	30	51	38	30	37	30	

Comparative yearly lighting energy cost per 1000 lumens – \$2.12 based on 3000 hrs. and \$0.08 per KWH.

The photometric results were obtained in the UL laboratory which is NVLAP accredited by the National Institute of Standards and Technology.

Photometric values based on test performed in compliance with LM-79.



Philips