

Model Number:	Approvals:
Accessories:	
Job:	Type:

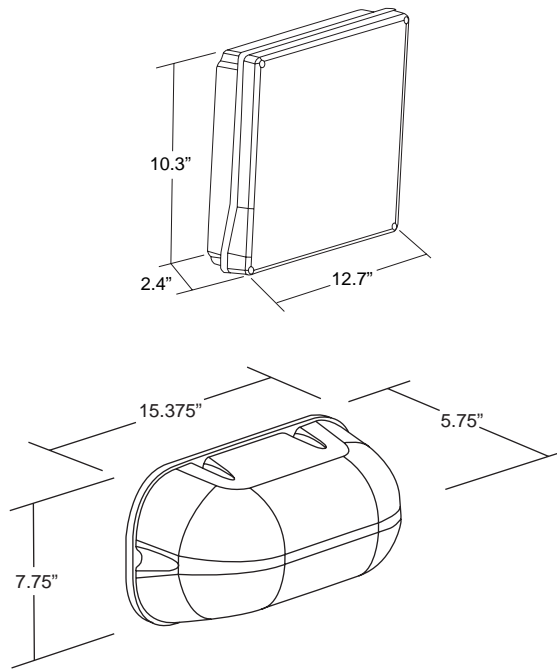
Guard your Extronix emergency lighting against the weather and accidental or intentional abuse. Ideal for outdoor use and high traffic areas such as schools, gymnasiums, parking garages, warehouses, and public areas.

FEATURES

- Weatherproof, vandal resistant enclosure
- UL94-5VA flame retardant polycarbonate components
- Suitable for wet locations
- Standard finish: White



DIMENSIONS



Series	WPV-1	WPV-2
TEMPO EXIT COMBO	X	
LL50H		X
LL60 / LED-60		X
LL90 / LED-90		X
Indoor Remote Heads Single Double Configurations		X
Renegade Remote Head Single Double Configurations		X
CLED/HLED Remote Head Single Double Configurations		X

SPECIFICATIONS ARE SUBJECT
TO CHANGE WITHOUT NOTICE