

# TLS-WPS LED Wallpack Luminaire



**Application** – High performance, energy efficient, solid state luminaire for wall mounted applications in general and security lighting, industrial perimeters, storage areas and more. An advanced LED optical system provides uniformity, vertical light distribution and reduced on-site glare. Lighting performance equivalent up to 150W HID replacement with 8'-12' mounting heights.

**Construction** – Heavy-duty, corrosion-resistant, die cast aluminum housing provides strength and durability. Powder-coated finish and IP65 construction provide durable resistance to outdoor environments.

**Mounting** – Mounts flush to junction box. Mounting hardware included.

**Optics** – Impact resistant tempered borosilicate refractive glass provides maximum photometric performance and beam efficiency. Lenses provide uniform Type IV Very Short distribution. Lens assemblies ensure consistent photometric performance across a range of available lumen output levels.

**LEDs & PCB (Printed Circuit Board)** – High efficiency 4700K, CRI (Color Rendering Index) of 73, and LEDs are mounted to an anodized aluminum heatsink.

**LED Rated Life L90\*** – 70,000 hours or more when operated in a -30°C (-22°F) to 25°C (77°F) ambient environment. LED rated life is based on 9,000 hours of LED testing per LM-80-08, and projected values per IESNA TM21-11.

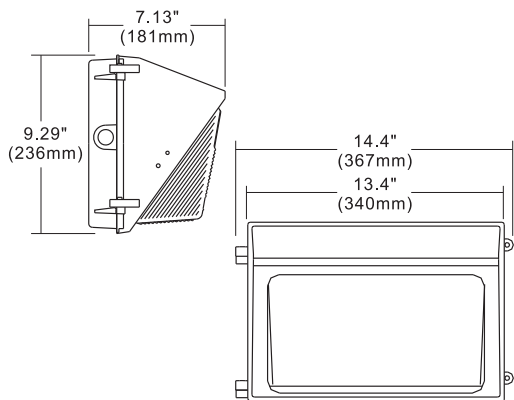
**LED Drivers** – Universal driver accepts 120-277VAC at 50/60Hz. Feature high power factor (>90%) and low total harmonic distortion (THD, ≤20%). Accepts site controls using timing or daylight sensing devices for switching; consult controls manufacturer for compaibility. Dimming is not supported.

**Listings** – UL / cUL listed, suitable for wet locations. Contains no mercury or lead. RoHS (Restriction of Hazardous Substances) compliant. IP65 rated optical enclosure per ANSI C136.25-2009. BUG ratings are B0-U3-G2 (2010lm) and B1-U4-G2 (3700lm).

**Warranty** – 5-year limited warranty. Toshiba LED Lighting Systems Division reserves the right to make changes and/or improvements in designs and/or dimensions without notice or obligation. Consult Toshiba for additional terms and conditions. [www.toshiba.com/lighting](http://www.toshiba.com/lighting)

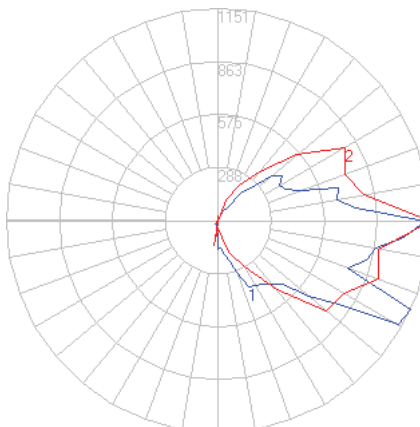
	Voltage	Power Factor	Amps	THD
TLSWPS2MM4B	@120	0.99	317 mA	8%
	@277	0.92	137 mA	20%
TLSWPS4MM4B	@120	0.99	617 mA	8%
	@277	0.92	267 mA	20%

Model	Drive Current (mA)	Input Watts	Input Current (A)		Distribution Type	4700K	
			120V	277V		Lumens	Efficacy (LPW)
TLSWPS2	500	38	317 mA	137 mA	Type IV Very Short	2010	53
TLSWPS4	500	74	617 mA	267 mA	Type IV Very Short	3700	50

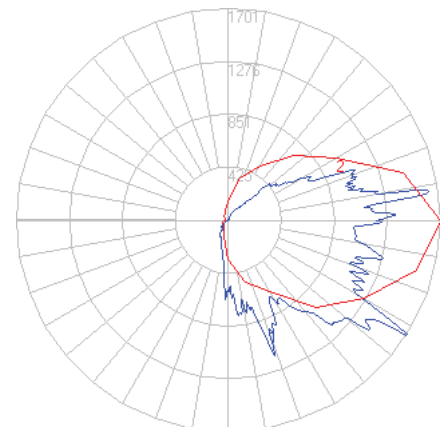


Weight: 11.5lbs

TLS-WPS2



TLS-WPS4



\*L90 LED rated life is the time period at which lumen output has depreciated to 90% of its initial output.