

# LED Wall-PACK Light

## DataSheet



Direct to wall



With Arm



With Slipfitter

with photo controller or without photo controller



E352127 DLC ready in August

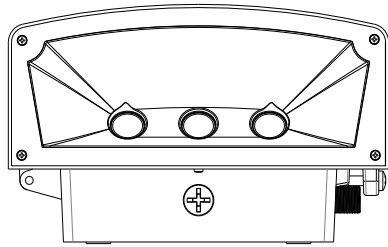
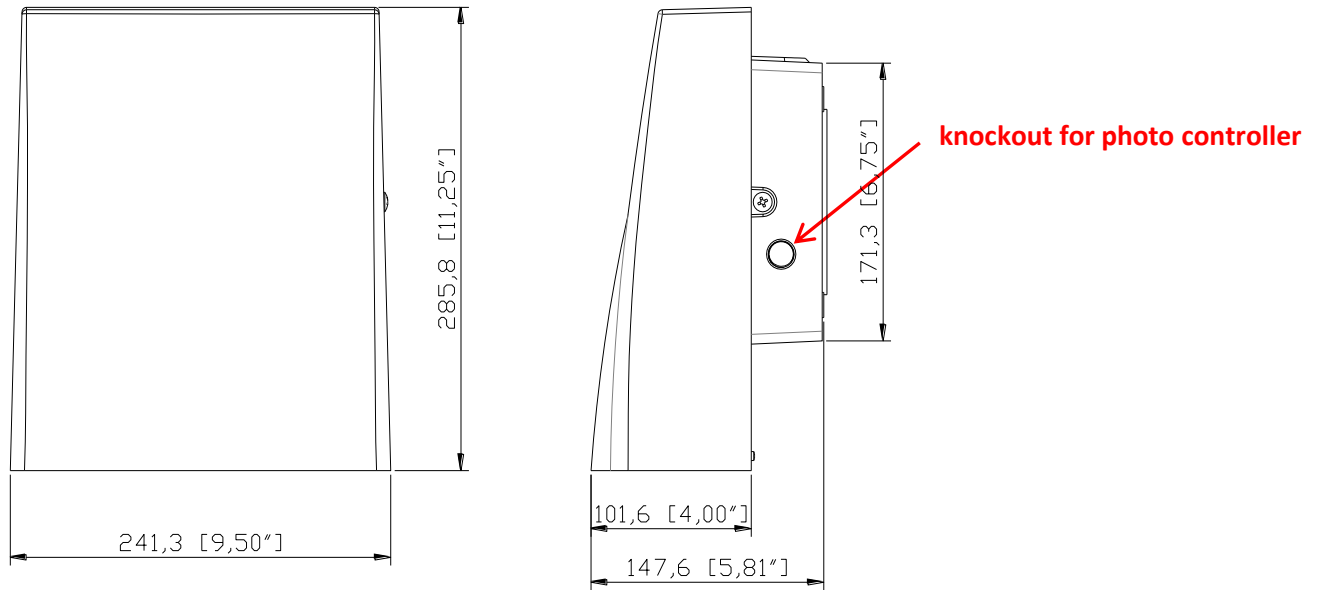


Wet Locations Use

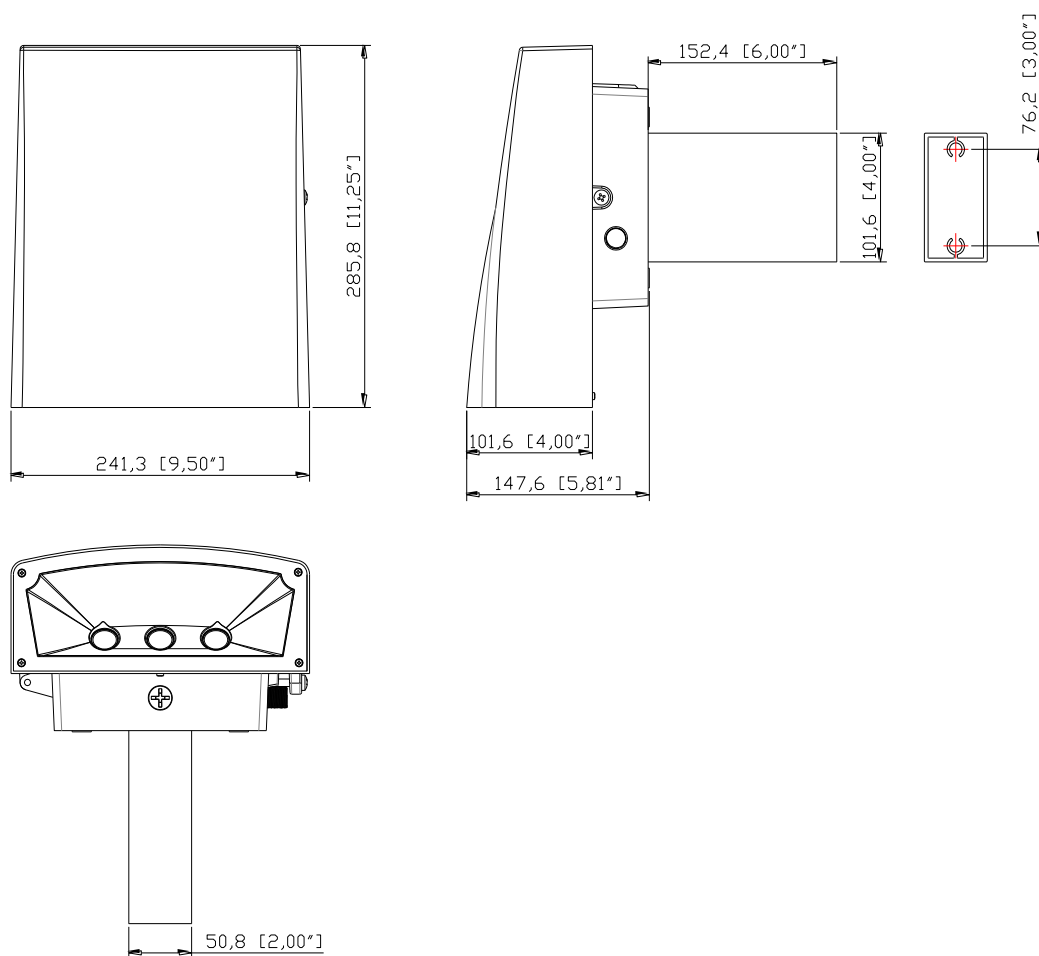
Model :		JD-WMB501-02	JD-WMB801-02
OVERALL LAMP PARAMETERS	Input Voltage	100-277VAC	
	Input Current	0.47A @120V / 0.22A @277V	0.69A @120V / 0.31A @277V
	Input Power	55W	81W
	Power Factor	PF≥0.95	
	Luminance	4200LM	6400LM
	Luminous Efficiency	77LM/W	83LM/W
	CRI	>80	>80
	Beam Angle	140°	
	Main Structure	Aluminium + Tempered Glass	
LED DRIVER	Output Voltage	38VDC	25-42VDC
	Output Current	1.25A	1.95A
	Driver Efficiency	87%	88%
LED	LED Brand	CXA1512	CXA2520
	LED Quantity	3PCS	3PCS
	LED Manufacturer	Cree	Cree
	LED Efficacy	120LM/W	120LM/W
	Color Temperature	WW/NW/PW/CW (3000K-6000K)	
LIFESPAN & ENVIRONMENT	Lifespan	50000Hrs.	
	Warranty	3 Years	
	IP Rating	IP54, Wet Locations	
	Operating Temperature	-20°C—+40°C	
	Storage Temperature.Humidity	-40°C—+80°C , 10—90% RH	
SAFETY&EMC	Safety Norms	UL1598,UL8750, EN60598, EN61347-2-13, EN62031, EN62471	
	Withstand Voltage	I/P-FG: 2121VDC	
	Grounding Resistance	25A 100mΩ	
	Electromagnetic Compatibility	EN55015, EN61000-2-3, EN61000-3-3, EN61547	
OTHERS	Dimension	Please refer to attached dimension drawing	
	Net Weight	3.75KG	4.3KG
	Gross Weight	4.2KG	4.8KG
	Packing Size	390x320x360 mm	
	Q'ty / Carton	2PCS	
	Volume	0.05 CBM	

# Dimension :

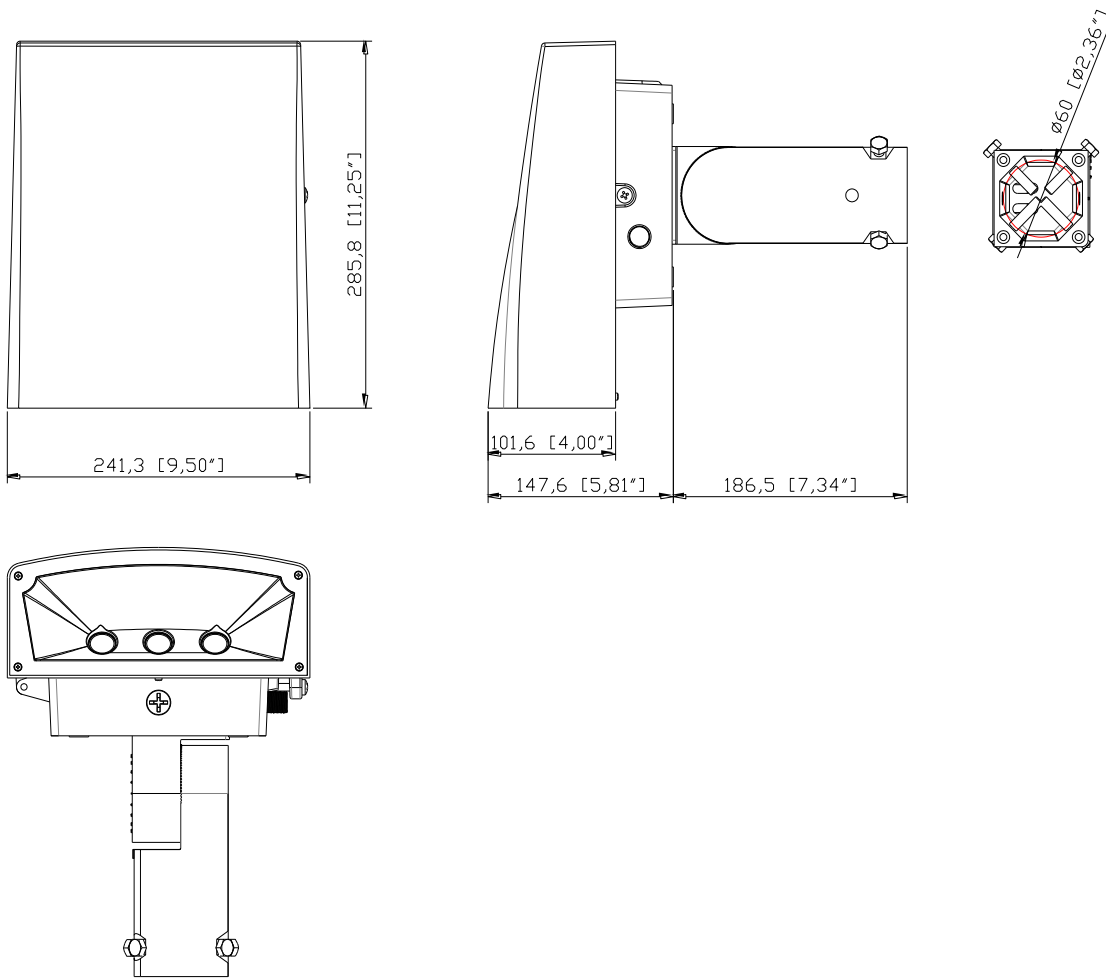
## 1. Direct to wall



## 2. With Arm



### 3. With Slipfitter



### LUMINAIRE PHOTOMETRIC

