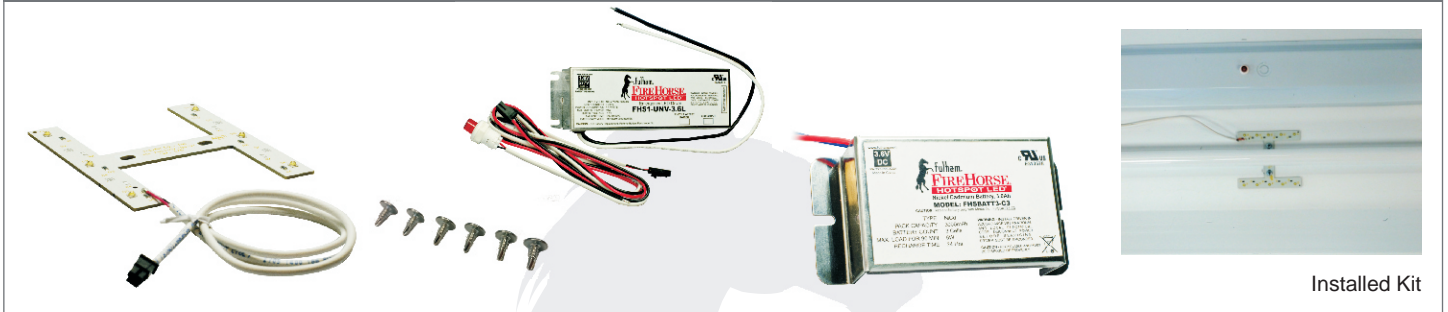


Project: _____ Type: _____ Model No.: _____

Remarks: _____

HotSpot UL Classified Kits



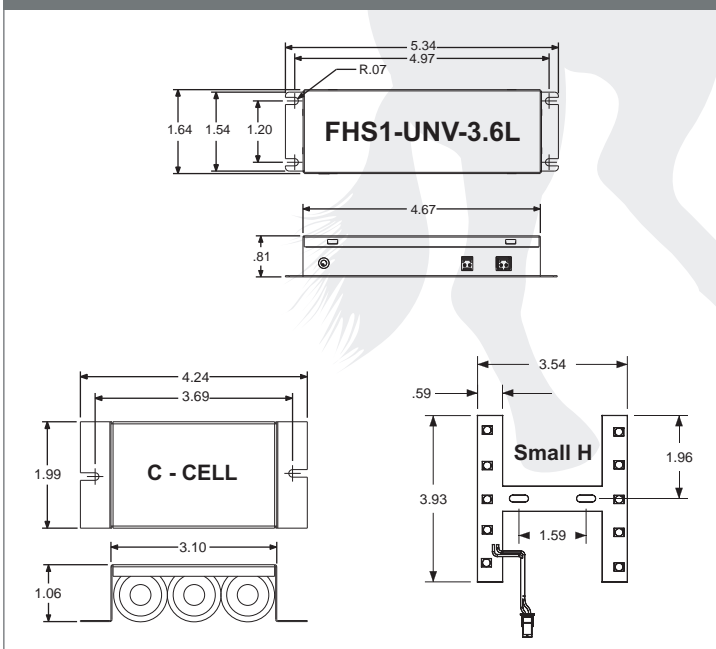
Installed Kit

Specification:



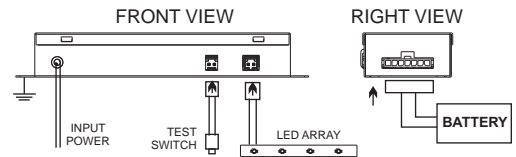
| | |
|---------------------------------|--------------------------------------|
| INPUT VOLTAGE | 120V - 277V ± 10%, 47-63Hz |
| SURGE PROTECTION | C62.41 (TVS) |
| OVER CURRENT PROTECTION | FUSE |
| INPUT CURRENT | 0.07A |
| INPUT POWER | <4W |
| LUMEN OUTPUT | 750 LUMENS |
| MAXIMUM OUTPUT CURRENT | 2.1 AMP WHEN USED WITH # FHSBATT3-C3 |
| OUTPUT VOLTAGE | 3.6V |
| OUTPUT SHORT CIRCUIT PROTECTION | SELF RESETTING PTC |
| RECHARGE TIME REQUIRED | 24 HRS |
| BATTERY TYPE | NiCd 3.6VDC |
| BATTERY CAPACITY AVAILABLE | 3Ah |
| ILLUMINATION TIME | MINIMUM 90 MIN |
| ESTIMATED RUN TIME | 90 MIN |
| OUTPUT CLASSIFICATION | UL 1310 / CLASS 2 |
| AMBIENT TEMPERATURE | 0°C - 50°C |

Mechanical Data:

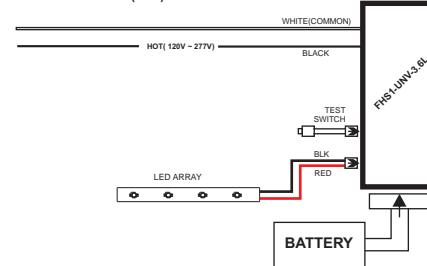


Wiring Diagram

| WIRE | BLACK | WHITE | BATTERY- LED ARRAY- TEST SWITCH- PILOT LIGHT |
|-----------------|---------|---------|--|
| LENGTH - INCHES | 12 ± 1" | 12 ± 1" | 24 ± 1" |



WIRING DIAGRAM (TYP)



Fulham extends a limited warranty only to the original purchaser or to the first user for a period of 5 years from the date of manufacture when properly installed and operated under normal conditions of use. For complete terms and conditions, please reference the Fulham product catalog (www.fulham.com)
Due to a program of continuous improvement, Fulham reserves the right to make modifications or variations in design or construction to the equipment described.