



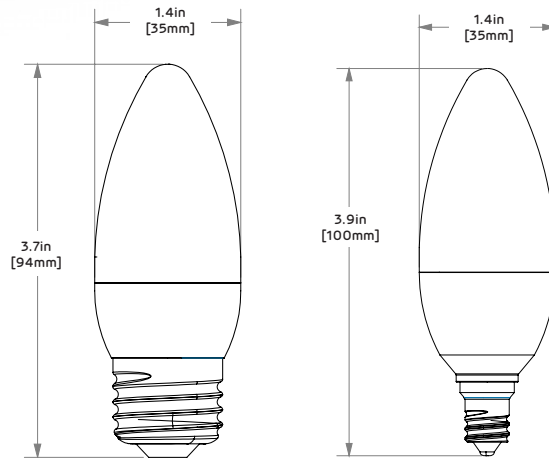
B11 CANDELABRA

Benefits

- Only 4/5 watts - Requires 87% less energy than comparable 25/40 watt Incandescent lamp.
- Maintenance free operation, lasts up to 20 times longer than incandescent lighting.
- Dimmable to 10% on most dimmers
- RoHS compliant – contains no mercury or lead.

FEATURES¹

Equivalent Source Standard	Up to 25/40W Incandescent
Rated Life	20,000 hours
Housing	Aluminum
Socket	E26 & E12
Operating Temperature	-20 °C to +40 °C
E26 MOL	E26 3.7 in, 94mm E12 3.9 in, 100mm
Voltage	120 VAC
Weight	E26 0.1lbs., .045kg E12 0.25lbs., .011kg
Power Factor	≥.7
Warranty	5 year limited



Specifications supplied are nominal. Please refer to the DOE's Lighting Facts Tolerance Guidelines.
¹ Values are nominal, advances from further innovation, specifications are subject to change.
² See dimmer compatibility chart page on next page.

ORDERING INFORMATION \ \ LS B11 25WE W27 E26 120 G1 BX

Family	Product	Watt Equivalent		Color (CCT)		Base		Voltage		Family	Packaging	
LS Lighting Science	B11 B11 Candelabra	25WE	25W Equivalent	W27	Soft White 2700K	E26	E26 Base	120	120 Volt	G1	BX	Box
		40WE	40W Equivalent				Leave blank for E12					

NORTH AMERICAN CERTIFICATIONS



ENVIRONMENT



B11

DIMMER CAPABILITIES¹

B11 25WE

Lutron

C*L Wall Mount: Diva/Skylark/Skylark Contour/Ariadni/Toggler/Lumea

Maestro: MACL-153M

B11 40WE:

Lutron

C*L Wall Mount: Diva/Skylark/Skylark Contour/Ariadni/Toggler/Lumea

Maestro: MACL-153M

C*L Series, Grafik Eye 3000 Family, PHPM-PA, PHPM-WBX

B11

Part Number	Base Type	Wattage	Lumens	Voltage	Efficacy	CRI
LS B11 25WE W27 120 G1 BX	E12	4W	200	120	50	80
LS B11 25WE W27 E26 120 G1 BX	E26	4W	200	120	50	80
LS B11 40WE W27 120 G1 BX	E12	5W	325	120	65	80
LS B11 40WE W27 E26 120 G1 BX	E26	5W	325	120	65	80

NW: Neutral White WW: Warm White W27: Soft White 2700K CW: Cool White

Recommended number of lamps per 600 watt dimmer²

While an LED lamp may draw as few as 10 watts continuously, it could have an in-rush current spike (maximum, instantaneous input) which may limit the number of lamps you can install on one dimmer. The following table provides a recommended maximum quantity of DEFINITY lamps that should be used on a typical approved 600W dimmer.

Ex: Max number of A19 60W lamps, with an 80W in-rush, that can be used on 600W dimmer = 7

DFN LED Lamp	Lamp In-Rush Current Equivalent	Max # of Lamps per 600W Dimmer
B11 25WE	30W	20
B11 40WE	26W	23

Specifications supplied are nominal. Please refer to the DOE's Lighting Facts Tolerance Guidelines.

¹ Dimmer compatibility list indicates those dimmers that have been tested and operate properly under normal conditions. In certain cases, approved dimmers are offered in higher wattage varieties that are also compliant and allow the installation of additional lamps if kept within the maximum inrush current equivalent provided in the table. Each application is unique and various factors such as load, common neutrals or other electrical products on the circuit can, in certain instances, cause variance in system performance. Consult dim51ng system manufacturer for additional support in operation.

² Values are nominal, advances from further innovation, specifications are subject to change.



Visit www.lsgc.com/energystar for list of ENERGY STAR qualified lamps.



CAUTIONS

THIS DEVICE IS NOT INTENDED FOR USE WITH EMERGENCY EXITS. CAUTION: RISK OF SHOCK- DO NOT USE WHERE DIRECTLY EXPOSED TO WATER. TURN OFF POWER BEFORE INSPECTION, INSTALLATION, OR REMOVAL. DO NOT OPEN – NO USER SERVICEABLE PARTS INSIDE. Not for use in totally enclosed fixtures. This device complies with part 15 of the FCC rules and has been tested and found to comply with the limits for a Class B digital device. This Class B digital apparatus complies with Canadian ICES-003. These limits are designed to provide reasonable protection against harmful interference in a residential installation. This equipment generates, uses and can radiate radio frequency energy and, if not installed and used in accordance with the instructions, may cause harmful interference to radio communications. Any changes or modifications not expressly approved by the manufacturer could void the user's authority to operate the equipment. Use only with a portable table lamp that is provided with a shade. Use in portable table lamps in which the distance from the bottom of the base to the top of the lamp holder does not exceed three (3) times the minimum base diameter. Suitable for dry locations. Use only on 120 Volt, 60 Hz circuits. Compatible with most dimmer switches. For complete details on our warranty and dimmer compatibility please visit www.lsgc.com/warranties and www.lsgc.com/dimmer.