

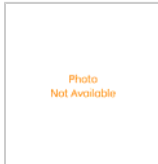
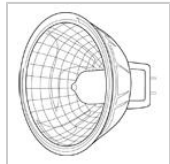
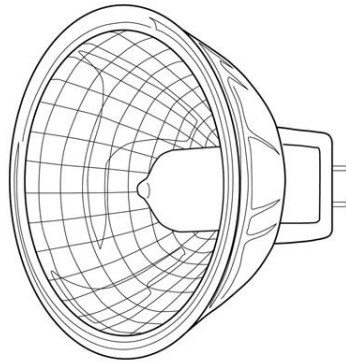


GE
Lighting

41885 - ELS/ELR UNIT

GE Quartzline® MR14 - Microfilm

This product is no longer manufactured. Remaining stock will be sold.



CAUTIONS & WARNINGS

Caution

- Risk of Burn
 - Allow lamp/fixture to cool before handling.
 - Turn power off before installing lamp.
- Lamp may shatter and cause injury if broken
 - Dispose of lamp in a closed container.
 - Do not use lamp if outer glass is scratched or broken.

Warning

- Risk of Electric Shock
 - Turn power off before inspection, installation or removal.
- Risk of Fire
 - Keep combustible materials away from lamp.
 - Use in enclosed fixture rated for this product.
- Pressurized lamp--unexpected rupture may cause injury, fire, or property damage
 - Avoid direct water, liquid or metal contact.
 - Do not exceed 110% of rated voltage.
 - Do not use lamp if outer glass is scratched or broken.
 - Use in enclosed fixture rated for this product.

GENERAL CHARACTERISTICS

| | |
|-------------------------------------|----------------------|
| Lamp Type | Halogen - MR |
| Bulb | MR14 |
| Base | 2-Pin Vented (GX7.9) |
| Filament | CC-8 |
| Rated Life (NOM) | 650.0 h |
| Typical Lamp Working Distance (NOM) | 4.75 in |
| Primary Application | Microfilm |

PHOTOMETRIC CHARACTERISTICS

| | |
|-------------------------|----------|
| Color Temperature (NOM) | 3100.0 K |
|-------------------------|----------|

ELECTRICAL CHARACTERISTICS

| | |
|---------------|--|
| Wattage (NOM) | 50.0 |
| Voltage (NOM) | 18.0 |
| Burn Position | Horizontal $\pm 15^\circ$ or Base Down |

DIMENSIONS

| | |
|------------------------------------|-------------------|
| Maximum Overall Length (MOL) (NOM) | 1.410 in(35.8 mm) |
| Bulb Diameter (DIA) (NOM) | 1.750 in(44.4 mm) |

PRODUCT INFORMATION

| | |
|----------------------------------|----------------|
| Product Code | 41885 |
| Description | ELS/ELR UNIT |
| ANSI Code | ELS/ELR |
| Standard Package | Case |
| Standard Package GTIN | 00043168418850 |
| Standard Package Quantity | 24 |
| Sales Unit | Unit |
| No Of Items Per Sales Unit | 1 |
| No Of Items Per Standard Package | 24 |
| UPC | 043168994293 |