



GE  
Lighting



Biax™ T/E LongLast™ 4-pin  
with Amalgam, External  
Starter Req.

F18TBX/SPX27/827/A/4P

**34392**

---

## Product information

Ultra compact energy saving CFL lamps with triple-tube design give an ideal light source for small fixtures and downlighters. Biax™ T lamps allow more compact fixture designs with the same lumen output as Biax™ D lamps. They can also be used to deliver higher lumen output from existing designs. The Biax™ T & T/E lamps are electrically interchangeable with Biax™ D and D/E lamps. They are available in 13, 18, 26, 32 and 42W. Light output ranges between 900 and 3200 lumens. Biax™ T/E lamps with a 4-pin electrical connection and without an internal starter are designed for high-frequency electronic ballasts. The use of separate electronic ballasts makes them suitable for almost every kind of energy supply: high and low voltages, accumulators, batteries, solar cells and systems that can be dimmed.

Triple biaxial tubes

---



## Product data

Cap/Base	GX24q-2
Bulb Shape	Hex plug-in
Bulb maximum overall diameter [mm]	49.3
Maximum Overall Length [mm]	120.7
Net weight per piece [g]	85
Gross weight per piece [g]	125
Operating position	U - Universal
Mercury Content [mg]	1.3
UV radiance	exempt
Brand	General Electric (GE)

## Performance data

Colour Code	827
Colour Rendering Index (CRI) [Ra]	82
Nominal correlated colour temperature (CCT) [K]	2700
Nominal lumens [lm]	1200
Energy efficiency class (EEC)	A
Rated Life [h]	20000
Rated median life on electronic (HF) ballast on IEC 12-hour cycle	20000
Rated median life on electronic (HF) ballast on IEC 3-hour cycle	17000
Nominal power [W]	18
Nominal lamp voltage [V]	100

## Electrical data

Weighted energy consumption [kWh/1000h]	18.15
Operating Temperature (MIN) [°C]	-15
Starting ambient temperature range	-15
Dimming Capability	Yes

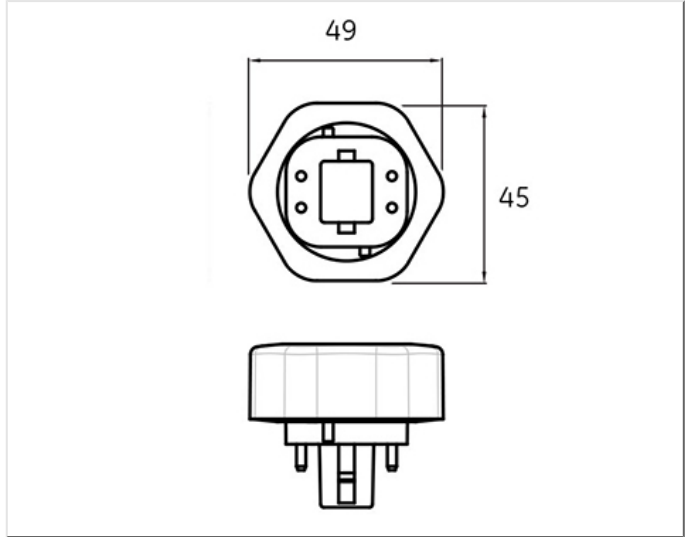
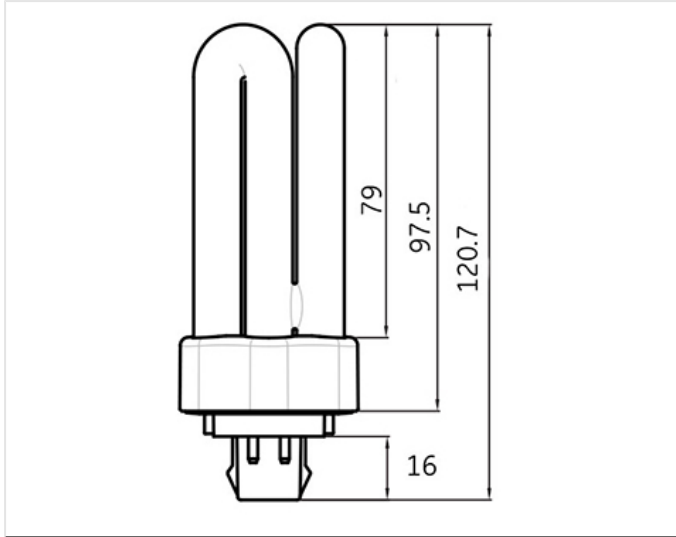
## Logistic data

DUN Code	10043168343920
EAN Code	0043168343923
Pack Quantity	10
Layer quantity	320 EUR, 360 UK
Layer quantity EUR	320
Layer quantity UK	360
Pallet quantity EUR (PC)	1920
Pallet quantity UK (PC)	2160
Outer case size	263 x 110 x 148 (mm)
Product status	Available

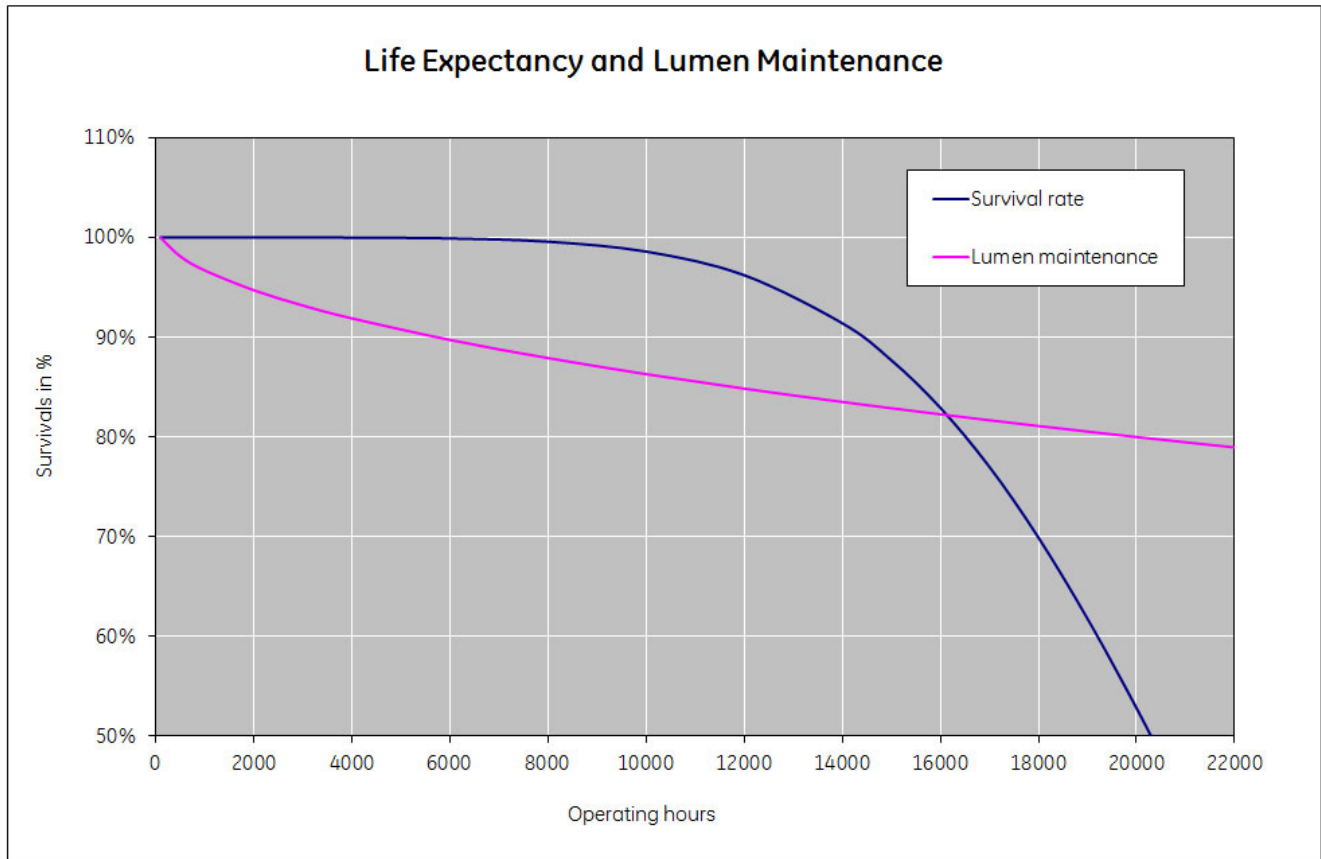
## Application areas



Technical drawing



## Survival Data



## Downloads & Links

[Go to the catalog site \(HTTP\)](#)

[CFL Non-Integrated Spectrum Catalogue \(PDF\)](#)

[Biax™ T and T/E Data sheet \(PDF\)](#)

[Lighting design tools & calculators \(HTTP\)](#)

[Disposing and Cleaning of CFL Lamps \(HTTP\)](#)