



MasterColor CDM-R111 Elite

MasterColor CDM-R111 Elite 35W/930 GX8.5 10D

MasterColor CDM-R111 Elite combines the trendy look of 111 mm aluminum-reflector halogen lamps with the long life, high energy efficiency and crisp white light of MasterColor CDM.

Product data

• General Characteristics

Base	GX8.5
Bulb	R111 [R 111mm]
Bulb Finish	Reflector
Operating Position	Universal [Any or Universal (U)]
Life to 5% failures EM	5000 hr
Life to 5% failures EL	8000 hr
Life to 10% failures EM	5500 hr
Life to 10% failures EL	9500 hr
Life to 20% failures EM	6000 hr
Life to 20% failures EL	10500 hr
Avg. Life	7500 hr
Avg. Hrs. Life	12000 hr

LLMF - end nominal lifetime	70 %
Forward Lum Maintenance 2000h	90 %
Forward Lum Maintenance 4000h	85 %
Forward Lum Maintenance 8000h	80 %
Forward Lum Maintenance 12000h	70 %
Design Mean Lumens	1200 Lm
Chromaticity Coordinate X	0.432 -
Chromaticity Coordinate Y	0.392 -
Luminous flux in 90° cone	1350 Lm

• Light Technical Characteristics

Beam Description	Spot
Beam Angle	10 D
Beam Angle Technical	6.75 (min), 9 (nom), 11.25 (max) D
Approx. MBCP	36000 cd
Color Code	930 [CCT of 3000K]
Color Rendering Index	87 (min), 90 (nom) Ra8
Color Designation	Warm White
Color Temperature	3000 K
Color Temperature technical	3000 K
Forward Luminous Output	1450 Lm
Forward Luminous Efficacy	37 Lm/W

• Electrical Characteristics

System Power EM	47 W
System Power EL	43 W
Energy Used	35 W
Lamp Wattage EM	35 W
Lamp Wattage EM 25°C, Rated	39.0 W
Lamp Wattage EL	35 W
Lamp Wattage EL 25°C, Rated	39.0 W
Lamp Voltage	89 V
Lamp Current EM	0.440 A
Lamp Current EL	0.440 A
Ignition Time	30 (max) s
Run-up time 90%	3 (max) min
Re-ignition Time [min]	15 (max) min
Dimmable	No

PHILIPS

MasterColor CDM-R111 Elite

Warm-up Time to 60% Light Outp 120 s

• Environmental Characteristics

Energy Efficiency Label (EEL) B
Mercury (Hg) Content 4.7 mg
Energy consumption kWh/1000h 43 kWh

• Measuring Conditions

Switching cycle 1050X

• Product Dimensions

Overall Length C 95 (max) mm
Diameter D 111 (max) mm
Max. Overall Length (MOL) - C

• Product Data

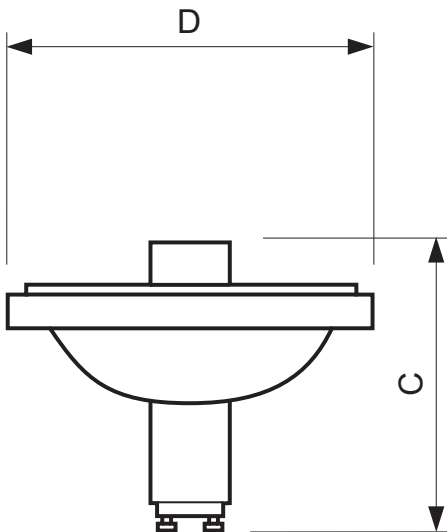
Order code 928195305306
Full product code 928195305306
Full product name MasterColor CDM-R111 Elite 35W/930 GX8.5 10D
Order product name MASTERC CDM-R111 Elite 35W/930 GX8.5 10D
Pieces per pack 1
Packing configuration 6
Packs per outerbox 6
Bar code on pack - EAN1 46677430726
Bar code on outerbox - EAN3 50046677430721
Logistic code(s) - 12NC 928195305306
ILCOS code MRS/UB-35/930-H-GX8.5-111/88/10
Net weight per piece 0.096 kg

Warnings and Safety

- Control gear must include end-of-life protection (IEC61167, IEC 62035)

- Use only with electronic control gear. 35W/930 lamps may also use electromagnetic gear

Dimensional drawing

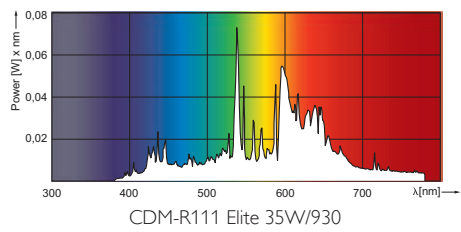


GX8.5

MasterColor CDM-R111 Elite 35W/930 GX8.5 10D

Product	C (Max)	D (Max)
CDM-R111 Elite 35W/930 10D	95	111

Photometric data



© 2014 Koninklijke Philips N.V. (Royal Philips)
All rights reserved.

Specifications are subject to change without notice. Trademarks are the property of Koninklijke Philips N.V. (Royal Philips) or their respective owners.

www.philips.com/lighting

2014, May 31
data subject to change