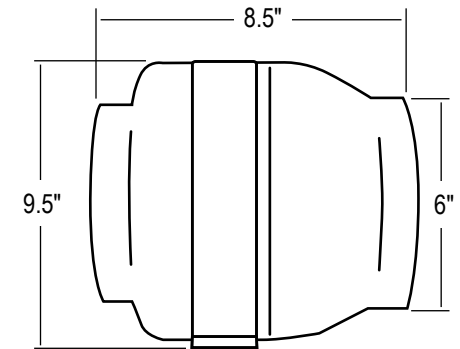


# SPECIFICATIONS

## Hurricane™ After Burner™ Mixed Flow Fan - 6 Inch Item #736130



|   |                             |
|---|-----------------------------|
| <b>ETL LISTED</b>                           | Yes                         |
| <b>Tested to UL Standard No. 507</b>        |                             |
| <b>Tested to CSA Standard C22.2 No. 113</b> |                             |
| <b>VOLTAGE</b>                              | 120                         |
| <b>AMPS</b>                                 | 0.6                         |
| <b>WATTAGE</b>                              | 69                          |
| <b>CFM</b>                                  | 335                         |
| <b>RPM</b>                                  | 3284                        |
| <b>POWER CORD</b>                           | Integrated 7 ft. - 120 Volt |
| <b>FAN DIAMETER</b>                         | 6 inch                      |
| <b>WEIGHT</b>                               | 3.2 lbs                     |
| <b>WARRANTY</b>                             | 5 year                      |

**Hurricane**  
**AFTER BURNER**

Hurricane™ After Burner™ Mixed Flow Fan - 6 Inch Spec Sheet - Last Updated 04242014

*This document is not intended to be used for installation purposes. We cannot cover all specific applications or anticipate all requirements. All specifications are subject to change without notice.*