

Toshiba **TLS-WPC** LED Wallpack Luminaire

Application – High performance, energy efficient, solid state luminaire for wall mounted applications in general and security lighting, industrial perimeters, storage areas and more. An advanced LED optical system provides uniformity, vertical light distribution and reduced on-site glare. Lighting performance equivalent up to 70W HID replacement with 8'-12' mounting heights.

Construction – Heavy-duty, polycarbonate front housing provides strength and durability. IP65 construction provide durable resistance to outdoor environments.

Mounting – Mounts flush to junction box. Mounting hardware included.

Optics – Precision-molded, high-impact, optical-grade PMMA (polymethyl methacrylate) lenses provide uniform Type IV Very Short distribution. Lens assembly ensure consistent photometric performance.

LEDs & PCB (Printed Circuit Board) – High efficiency 4700K, CRI (Color Rendering Index) of 73, and LEDs are mounted to an anodized aluminum heatsink.

LED Rated Life L90* – 70,000 hours or more when operated in a -30°C (-22°F) to 25°C (77°F) ambient environment. LED rated life is based on 9,000 hours of LED testing per LM-80-08, and projected values per IESNA TM21-11.

LED Driver – Universal driver accepts 120-277VAC at 50/60Hz. Feature high power factor (>90%) and low total harmonic distortion (THD, ≤20%). Accepts site controls using timing or daylight sensing devices for switching; consult controls manufacturer for compaibility. Dimming is not supported.

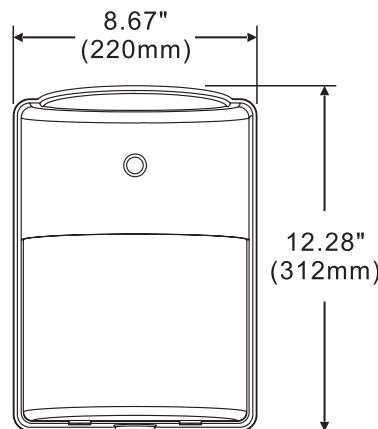
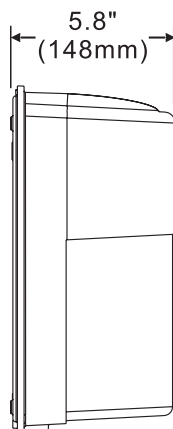
Listings – UL / cUL listed, suitable for wet locations. Contains no mercury or lead. RoHS (Restriction of Hazardous Substances) compliant. IP 65 rated optical enclosure per ANSI C136.25-2009. BUG rating is B0-U3-G1. Low glare.

Warranty – 5-year limited warranty. Toshiba LED Lighting Systems Division reserves the right to make changes and/or improvements in designs and/or dimensions without notice or obligation. Consult Toshiba for additional terms and conditions. www.toshiba.com/lighting

	Voltage	Power Factor	Amps	THD
TLSWPC2MM4B	@ 120	0.99	208 mA	8%
	@ 277	0.92	90 mA	20%

Example: TLSWPC2MM4B

Model Designator	Style	Lumens	Distribution	Voltage	CCT	Color
TLSWP	C = Model C	2 = 1675lm	M = Type IV Very Short	M = Multi-volt (120-277V)	4 = 4700K	B = Bronze



Weight: 4.75lbs

*L90 LED rated life is the time period at which lumen output has depreciated to 90% of its initial output.

Model	Drive Current (mA)	Input Watts	Input Current (A)		Distribution Type	4700K	
			120V	277V		Lumens	Efficacy (LPW)
Model - C	500	25	208 mA	90 mA	Type IV Very Short	1675	67

TLS-WPC2

