



# MASTERColor CDM-Rm Elite Mini

MASTERColor CDM-Rm Elite Mini 20W/830 GX10 MR16 40D

The Elite family is at the very top of the MasterColor CDM range, and gives a unique combination of unbeatable light quality and consistent performance over lifetime, while keeping running costs low. The MasterColor DCM Elite MR16 combines the familiar compact shape of MR16 halogen lamps with the performance of ceramic metal halide MasterColor Elite lamps. Suited for accent/decorative lighting, general lighting and downlighting in retail applications; or for outdoor landscaping and architectural effects.

## Product data

### • General Characteristics

Base	GX10
Bulb	MR16 [2inch/50mm]
Bulb Finish	-
Operating Position	Universal [Any or Universal (U)]
Life to 5% failures	9000 hr
Life to 10% failures	10000 hr
Life to 20% failures	12000 hr
RatedAvgLife(See Family Notes)	15000 hr

### • Light Technical Characteristics

Beam Description	-
Beam Angle	40 D
Beam Angle Technical	27 (min), 36 (nom), 45 (max) D
Approx. MBCP	2100 cd
Color Code	830 [CCT of 3000K]
Color Rendering Index	81 (min), 84 (nom) Ra8
Color Temperature	3000 K
Color Temperature technical	3000 K
Forward Luminous Output	945 (min), 1050 (nom) Lm
Forward Luminous Efficacy	53 Lm/W
LLMF - end nominal lifetime	70 %
Forward Lum Maintenance 2000h	92 %
Forward Lum Maintenance 4000h	85 %
Forward Lum Maintenance 8000h	78 %

Forward Lum Maintenance 12000h	75 %
Forward Lum Maintenance 15000h	70 %
Design Mean Lumens EL	850 Lm
Chromaticity Coordinate X	0.440 -
Chromaticity Coordinate Y	0.400 -
Luminous flux in 90° cone	950 Lm

### • Electrical Characteristics

System Power EL	23.5 W
Watts	20 W
Lamp Wattage EL	20 W
Lamp Wattage EL 25°C, Rated	20.0 W
Lamp Voltage	93 V
Lamp Current EL	0.215 A
Ignition Time	30 (max) s
Run-up time 90%	3 (max) min
Re-ignition Time [min]	15 (max) min
Dimmable	No
Warm-up Time to 60% Light Outp	120 s

### • Environmental Characteristics

Energy Efficiency Label (EEL)	A
Mercury (Hg) Content	3.5 mg

**PHILIPS**

# MASTERColor CDM-Rm Elite Mini

Energy consumption 22 kWh  
kWh/1000h

• UV-related Characteristics

Damage Factor D/fc 0.4 (max) -  
PET (NIOSH) 8 (min) h500lx

• Measuring Conditions

Switching cycle 1350X

• Luminaire Design Requirements

Reflector Neck 215 (max) C  
Temperature

• Product Dimensions

Reference Length A 59 (max) mm

Overall Length C 62.75 (nom), 65.4 (max) mm  
Overall Length Rim C1 60.9 (max) mm  
Diameter D 50 (nom), 51 (max) mm

• Product Data

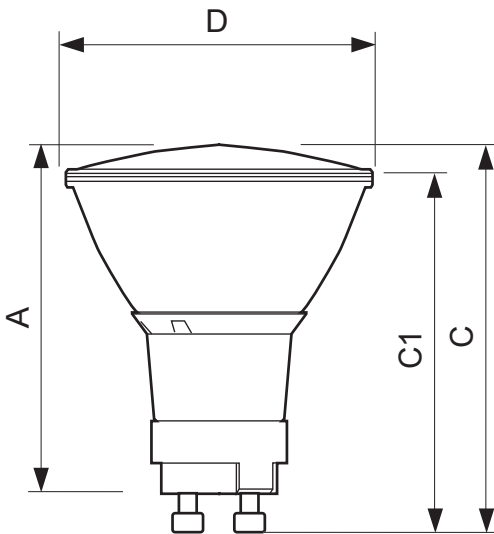
Product number 421677  
Full product name MASTERColor® CDM-Rm Elite Mini  
20W/830 GX10 MR16 40D  
Short product name CDM-Rm Elite Mini 20W/830 GX10  
MR16 40D  
Pieces per Sku 1  
eop\_pck\_cfg 12  
Skus/Case 12  
Bar code on pack 46677421670  
Bar code on case 50046677421675  
Logistics code(s) 928191205315  
tpd\_ilcos\_cd MRS/UB-20/830-H-GX10-51/54.5/40  
eop\_net\_weight\_pp 0.047 kg

## Warnings and Safety

- R "WARNING: These lamps can cause serious skin burn and eye inflammation from short wave ultraviolet radiation if outer envelope of the lamp is broken or punctured. Do not use where people will

remain for more than a few minutes unless adequate shielding or other safety precautions are used. Certain lamps that will automatically extinguish when the outer envelope is broken or punctured are commercially available." This lamp complies with FDA radiation performance standard 21 CFR subchapter J. (USA:21 CFR 1040.30 Canada: SOR/DORS/80-381)

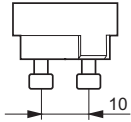
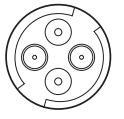
## Dimensional drawing



### MASTERColor CDM-Rm Elite Mini 20W/830 GX10 MR16 40D

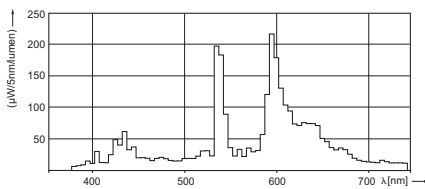
Product	A (Max)	C (Norm)	C (Max)	C1 (Max)	D (Norm)	D (Max)
CDM-Rm 20W/830 GX10 MR16 40D	59	62.75	65.4	60.9	50	51

## Dimensional drawing

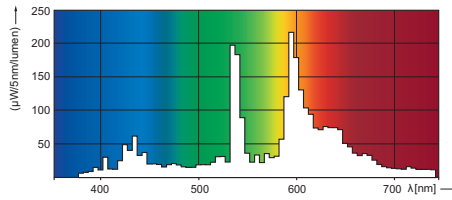


GX10

## Photometric data



MASTERColour CDM-R Mini 20W /830



MASTERColour CDM-R Mini 20W /830



© 2014 Koninklijke Philips N.V. (Royal Philips)  
All rights reserved.

Specifications are subject to change without notice. Trademarks are the property of Koninklijke Philips N.V. (Royal Philips) or their respective owners.

[www.philips.com/lighting](http://www.philips.com/lighting)

2014, February 1  
data subject to change