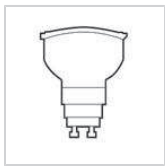
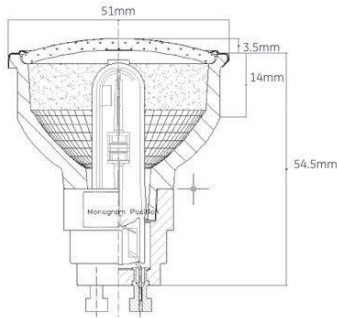


85110 - CMH20MR16/830/FL

GE ConstantColor® PulseArc® CMH® Ceramic Metal Halide MR16

RoHs Compliant



CAUTIONS & WARNINGS

Caution

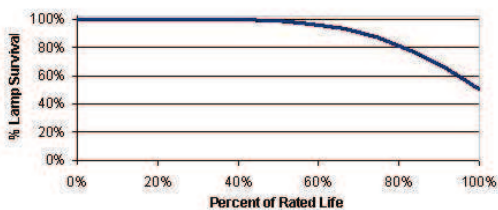
- Lamp may shatter and cause injury if broken
 - Do not use excessive force when installing lamp.
 - Do not use lamp if outer glass is scratched or broken.
- Risk of Burn
 - Allow lamp to cool before handling.
 - Do not turn on lamp until fully installed.

Warning

- Unexpected lamp rupture may cause injury, fire, or property damage
 - Do not exceed rated voltage.
 - Do not store flammable materials near/below lamp.
 - Do not turn on lamp until fully installed.
 - Do not use beyond rated life.
 - Do not use lamp if outer glass is scratched or broken.
 - Do not use where directly exposed to water or outdoors without an enclosed fixture.
 - Use only properly rated ballast.
- Risk of Fire
 - Keep combustible materials away from lamp.
 - Use fused or thermally protected ballast - see instructions.
 - Use in fixture rated for this product.
- Risk of Electric Shock
 - Do not use where directly exposed to water or outdoors without an enclosed fixture.
 - Turn power off before inspection, installation or removal.

GRAPHS & CHARTS

Lamp Mortality



Lumen Maintenance

GENERAL CHARACTERISTICS

Lamp Type	High Intensity Discharge - Ceramic Metal Halide
Bulb	MR16
Base	GX10
Wattage	20
Rated Life	12000 hrs
Lamp Enclosure Type (LET)	Open or enclosed fixtures
LEED-EB MR Credit	183 picograms Hg per mean lumen hour
Additional Info	UV control
Primary Application	Indoor Floodlight

PHOTOMETRIC CHARACTERISTICS

Initial Lumens	1000 /1000 /1000
Nominal Initial Lumens per Watt	50
Beam Spread	25 °
Center Beam Candlepower (CBCP)	2900
Color Temperature	3000 K
Color Rendering Index (CRI)	81

ELECTRICAL CHARACTERISTICS

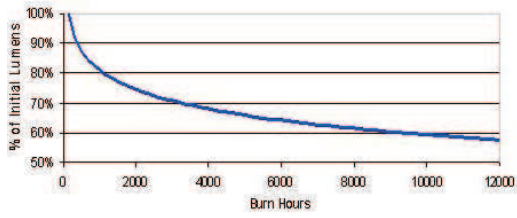
Burn Position	Universal burning position
Open Circuit Voltage (peak lead ballast)	95 V
Warm Up Time to 90%	3 min
Warm Up Time to 90% (MAX)	3 min

DIMENSIONS

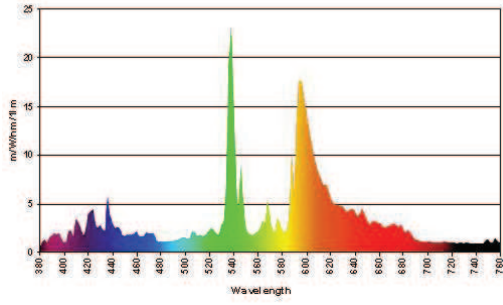
Maximum Overall Length (MOL)	2.28 cm
Bulb Diameter (DIA) (MAX)	1.99 cm

PRODUCT INFORMATION

Product Code	85110
Description	CMH20MR16/830/FL
ANSI Code	C156/M156
Standard Package	Case
Standard Package GTIN	10043168851104
Standard Package Quantity	12
Sales Unit	Unit
No Of Items Per Sales Unit	1
No Of Items Per Standard Package	12
UPC	043168851107



Spectral Power Distribution



NOTES

- Rated life based on 11 hours per start
- Use only with electronic ballast.