

## Diva® 0-10V Control

The designer dimmer that matches your paddle switches.

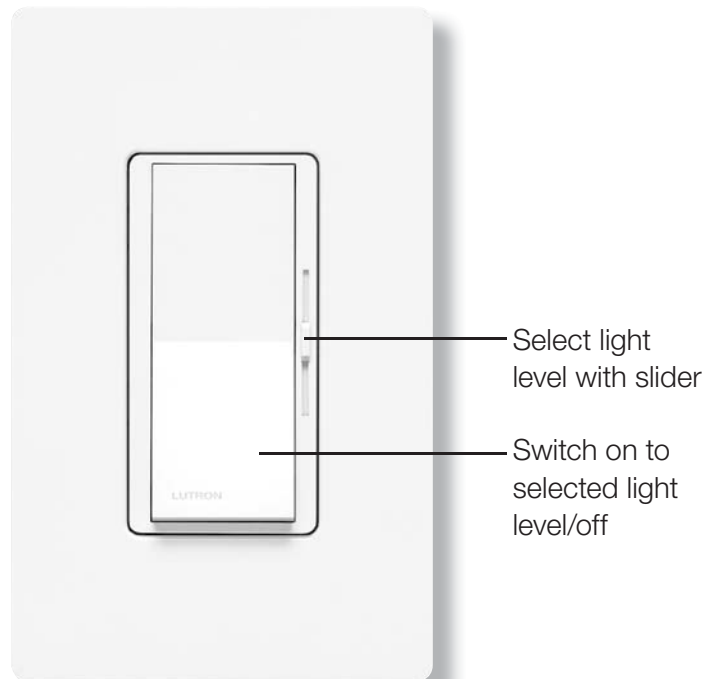
### Features

- Large paddle switch with a captive linear-slide dimmer for a standard designer wallplate opening.
- Uses low-voltage wiring for easy installation in any home.
- Coordinating Claro® and Satin Colors® wallplates. (available separately)
- High-end and low-end trim user adjustable for optimal performance.

### Available Model Numbers:

DVTV-XX - Gloss Finish

DVSCTV-XX - *Satin Colors*



The *Diva* 0-10V preset dimmer provides dimming control of 0-10V LED drivers, fluorescent ballasts and HID ballasts.

### Standard Wallplates



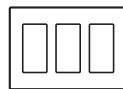
#### 1-Gang CW-1-, SC-1-

2.94 in W (75 mm) x 4.69 in H (119 mm)  
x 0.30" D (7.6 mm)



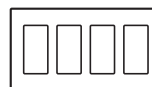
#### 2-Gang CW-2-, SC-2-

4.75 in W (121 mm) x 4.69 in H (119 mm)  
x 0.30 in D (7.6 mm)



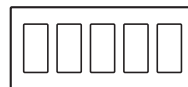
#### 3-Gang CW-3-, SC-3-

6.56 in W (167 mm) x 4.69 in H (119 mm)  
x 0.30 in D (7.6 mm)



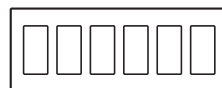
#### 4-Gang CW-4-, SC-4-

8.37 in W (213 mm) x 4.69 in H (119 mm)  
x 0.30 in D (7.6 mm)



#### 5-Gang CW-5-, SC-5-

10.18 in W (259 mm) x 4.69 in H (119 mm)  
x 0.30 in D (7.6 mm)



#### 6-Gang CW-6-, SC-6-

12.00 in W (305 mm) x 4.69 in H (119 mm)  
x 0.30 in D (7.6 mm)

## Specifications

### Power

- **Control:** 0-10 V  $\approx$  30 mA
- **Switch:** 24 V  $\approx$  100 mA

### Performance

- Power-failure memory.
- Electrostatic discharge tested.

### Environment

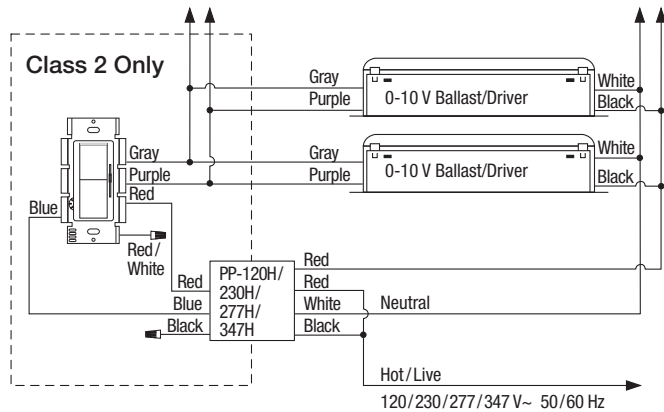
- For Indoor Use Only.
- Operating Temperatures 0 °C (32 °F) to 40 °C (104 °F).

### Application Requirements

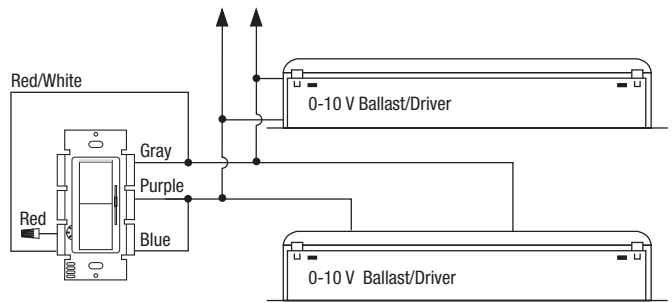
- No derating required if ganged.
- A physical barrier (partition) must exist when ganging with line-voltage products.
- Precise color matching.
- Night Light not available.
- Provides 0-10V sinking control for 0-10V fluorescent ballasts and LED drivers.
- Compatible with all fluorescent ballasts and LED drivers compliant to IEC 60929 Annex E.2.

## Wiring Diagrams

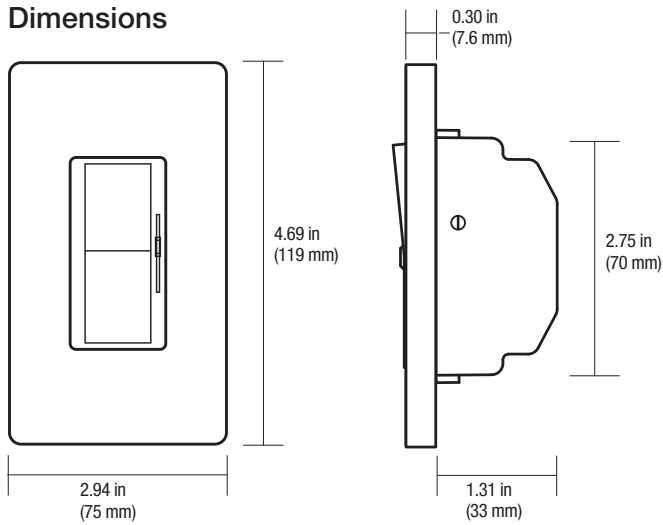
Dimming With ON/OFF Control  
Wiring Diagram Using Relay



Dimming With ON/OFF Control For Drivers Which Support Dim To OFF Capability  
Power Wiring Not Shown—See Lighting Device For Wiring



**Dimensions**



**Standard Colors and Finishes**

**Gloss Finishes**

Add color suffix to model # *Example: DVTV-WH*

WH	White
IV	Ivory
AL	Almond
LA	Light Almond
GR	Gray
BR	Brown
BL	Black

**Satin Colors®**

Add color suffix to model # *Example: DVSCTV-SW*

HT	Hot
MR	Merlot
PL	Plum
TQ	Turquoise
SG	Sea Glass
TP	Taupe
ES	Eggshell
BI	Biscuit
SW	Snow
PD	Palladium
MN	Midnight
TC	Terracotta
SI	Sienna
GB	Green Briar
BG	Bluestone
MS	Mocha Stone
GS	Goldstone
DS	Desert Stone
ST	Stone
LS	Limestone