

10/18/2012

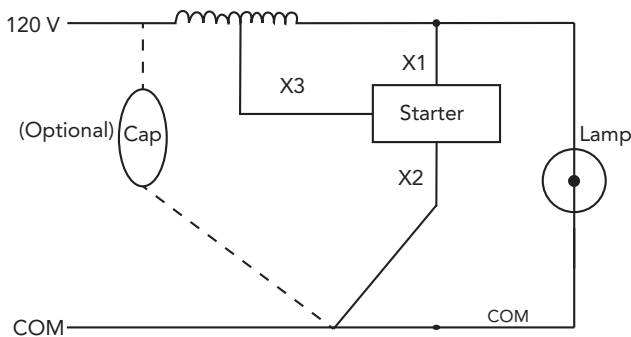
**50 Watt S68 60Hz  
High Pressure Sodium**

Project:	
Catalog#:	
Approved by:	

Input Volts (60 hz)	120
Input Watts	61
Approx. Line Current (Amps)*	1.2
Circuit Type	RXN - Reactor Normal Power Factor
ANSI	S68
Insulation Class	Class H
Power Factor	> 90%
Regulation	Line Volts: ±5% Lamp Watts: ±10%
Min. Ambient Starting Temp.	-40°F/-40°C
High Potential Test (Volts)	1 Minute: 1240 1 Second: 1490
Lead Lengths (inches)	12
UL Temperature Ratings*	1029A
Capacitor	Not included (RXH kits only)
Starter/Ignitor	ST2001. Included in kit.

\* See Ballast Label for exact values and additional information

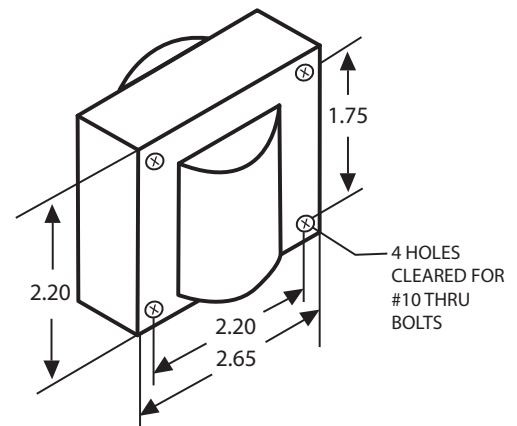
**WIRING DIAGRAM**



**HID Ballast Kit**

- Ballast
- Starter
- Mounting Bracket

**DIMENSIONAL DRAWING**



Specifications subject to change without notice.



High Intensity Discharge Ballasts