

# 42W OUTDOOR LED WALL PACK WITH SENSOR



## 42 WATT WALL PACK SECURITY LIGHT

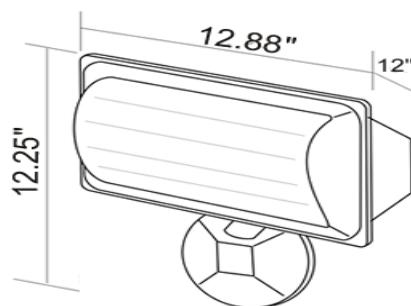
Great light output (3500 Lumens) covers a large area. Very bright amount of light for 42 watt power consumption Great Value, Excellent Quality.



Bronze



White



W:12.88" D:12" H:12.25"

### FEATURES

- For side wall installation
- Damp-rated for use in exterior locations.
- Integrated photocell for Dusk to Dawn operation.
- Not to be used with Motion Detector.

Patios

Driveways

Alleys

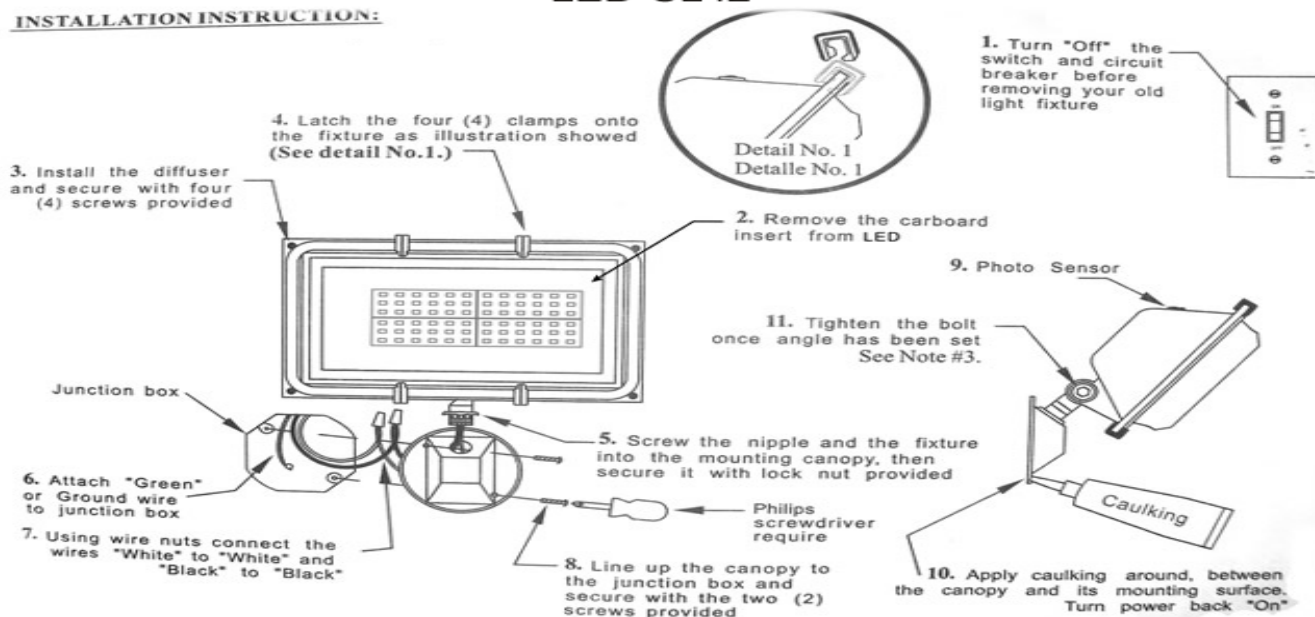
Garage

Backyards

Working Areas

### INSTALLATION LED-SL42

#### INSTALLATION INSTRUCTION:



### TECHNICAL SPECIFICATIONS

Voltage	120V, 60Hz AC operation
Lumens	3500 lumens CRI ≥ 80
Construction	Heavy-duty, plastic housing
Dimensions	W=12.88" D=12" H=12.25"
Packaging	Corrugated box with model number and short description
Lamp specs	120V SMD5630 LED Cool white, 50,000 average life hours
Diffuser	Clear plastic diffuser.
Accessories	Screw×2, P2 Connectors×3, Mounting canopy ×1
Listing	ETL/CETL, Suitable for Damp Locations

### ORDERING INFORMATION

Model No	Description
LED-SL42WT	LED Outdoor Light ,42W 84pcs LED 120V,Driver Included,White Finish
LED-SL42BZ	LED Outdoor Light ,42W 84pcs LED 120V,Driver Included,Bronze Finish