

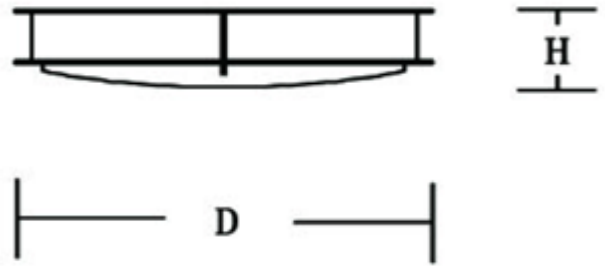
LED JR FIXTURE



A surface mounted LED array gives off an ample amount of long lasting light that costs so little to operate. Uses less energy than fluorescent lights. Lasts longer and is maintenance free. Available in bronze or nickel finishes in three sizes.

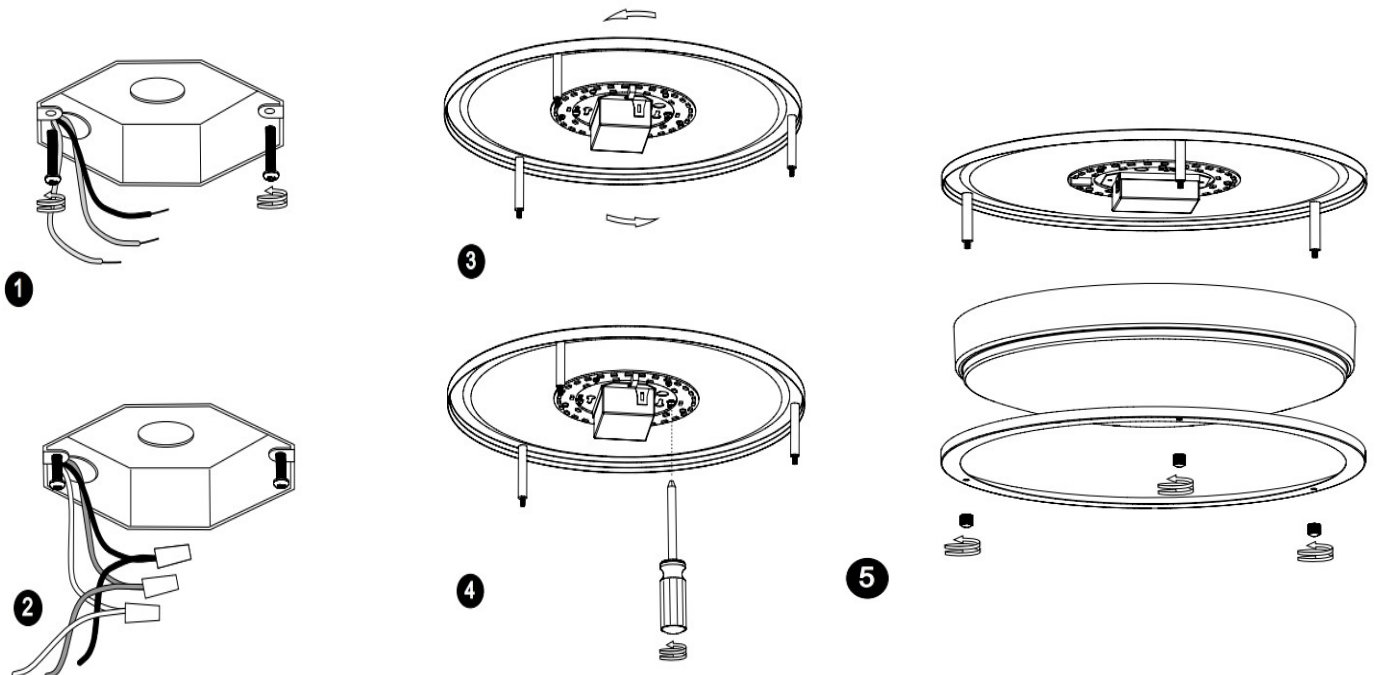
FEATURES

- Easy to install diffuser
- LED Driver with hardwire installation
- Ceiling or wall surface mounting



D=10"14"17" 32 1/2" H=3.8" 18"

INSTALLATION INFORMATION



TECHNICAL SPECIFICATIONS

Wattage	14W 1200Lm /20W 1660Lm /35W 2900Lm
Driver	15W/20W/35W,DC 24V
Listing	ETL/CETL Suitable for Damp Locations
Construction	Heavy-Gage, Die-Form-Cold-Rolled Steel Housing
Packaging	Corrugated box with model number and short description Master Cartons of 4 units each
Lamp specs	120V SMD5630 LED. 50,000 average life hours
Color Kelvin	3000k or 4000k
Diffuser	Translucent, Opal White diffuser.
Accessories	P4 Connectors×3 , Screw×2

ORDERING INFORMATION

Model No	Description
LED-JR001BZ	10" Dia.3.8" Height,14W 1200 lumens, 15W LED Driver included Bronze Finish.
LED-JR002BZ	14" Dia.3.8" Height, 20W 1660 lumens,20W LED Driver included Bronze Finish.
LED-JR003BZ	17" Dia.3.8" Height, 35W 2900 lumens,35W LED Driver included Bronze Finish.
LED-JR001NKL	10" Dia.3.8" Height,14W 1200 lumens,15W LED Driver included Nickel Finish.
LED-JR002NKL	14" Dia.3.8" Height,20W 1660 lumens,20W LED Driver included Nickel Finish.
LED-JR003NKL	17" Dia.3.8" Height,35W 2900 lumens,35W LED Driver included Nickel Finish.
LED-JR005NKL	32 1/2" Dia. 18" Height, 70W, 5800 lumens, 70W LED Driver included Nickel Finish.

