



MR16 SERIES

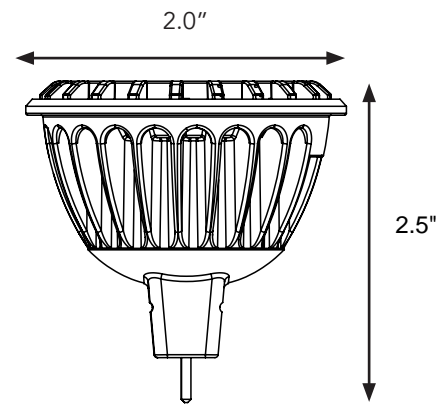
GU5.3

BENEFITS

- Up to 86% more efficient than halogen equivalent
- Longer life and lower maintenance costs
- Dimmable when used with approved dimming switch
- Mercury and Lead free, as well as UV and IR free
- Instant on to full brightness

SPECIFICATIONS

EQUIVALENT	50 Watt Halogen
AVERAGE RATED LIFE	25,000 hrs
HOUSING	Aluminum
BASE	GU5.3
POWER	12V, 60Hz AC/DC
LENS	Prismatic Polycarbonate
BEAM	25°
COLOR (K)	3000, 5000



DIMMER COMPATIBILITY*

Lutron: SELV-300P, DVELV-300P

*The listed dimmers have been tested and proven to work under limited laboratory conditions. All possible electrical conditions cannot be accurately simulated, and therefore some discrepancy may exist.

12v MR16 bulbs may not be compatible with all magnetic transformer fixtures.

APPLICATION INFORMATION

Applications	Market Segments
— Track Lighting	— Residential
— Display Lights	— Hospitality
	— Office
	— Retail

Application Notes

1. Operating temperature range between -20°C and +45°C (-4°F and +113°F)
2. Not for use with emergency light fixtures or exit lights
3. Not for use in totally enclosed fixture
4. Suitable for indoor/damp locations and sheltered outdoor use

This device complies with Part 15 of the FCC rules and has been tested and found to comply with the limits for a Class B digital device. These limits are designed to provide reasonable protection against harmful interference in a residential installation. This equipment uses and can radiate radio frequency energy and, if not installed and used in accordance with the instructions, may cause harmful interference to radio communications. Any changes or modifications not expressly approved by the manufacturer could void the user's authority to operate the equipment.

CERTIFICATIONS



LM79 reports are available upon request.



Based on 12 hours of use per day.

Order Code	Part Number	Wattage (W)	Base	Replaces	Voltage (V)	CCT ¹	Typical Lumens ²	CRI ³	Dim	Beam	Weight (lbs)	Case Quantity
K7L8	LED-MR16-540-30-NFL	6	GU5.3	50W Halogen	12 AC/DC	3000	540	81	Yes	25°	0.1	50
K4N7	LED-MR16-540-40-NFL	6	GU5.3	50W Halogen	12 AC/DC	4000	540	82	Yes	25°	0.1	50
K7L9	LED-MR16-560-50-NFL	6	GU5.3	50W Halogen	12 AC/DC	5000	560	86	Yes	25°	0.1	50

1. Thermally stable typical CCT (±10%) 2. Thermally stable typical lumens (±10%) 3. CRI - Color Rendering Index