

## R SERIES    R20 R30 R40

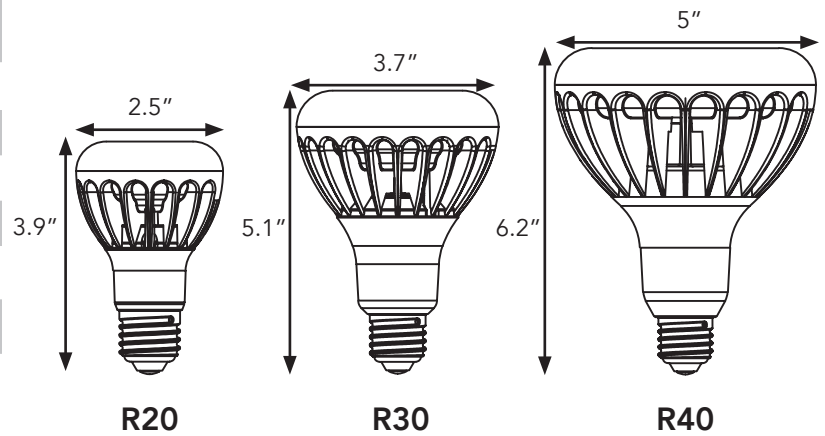


### BENEFITS

- Up to 82% more efficient than incandescent equivalent
- Longer life and lower maintenance costs
- Dimmable when used with approved dimming switch (120V models)
- Mercury and Lead free, as well as UV and IR free
- Instant on to full brightness

### SPECIFICATIONS

|                    |                             |
|--------------------|-----------------------------|
| EQUIVALENT         | 45 to 150 Watt Incandescent |
| AVERAGE RATED LIFE | 25,000 hrs                  |
| HOUSING            | Aluminum                    |
| BASE               | Medium (E26)                |
| POWER              | 120V and 120-277V, 60Hz     |
| LENS               | Frosted Polycarbonate       |
| BEAM               | 120°                        |
| COLOR (K)          | 2700, 4000, 5000            |



### DIMMER COMPATIBILITY\*

**Lutron:** MACL-153M, LGCL-153PLH, TAL06P-C1-K-L, TGCL-153PH, AYCL-153P, DVCL-153P, DVSCCL-153P, SCL-153P, MSCL-OP153M, CTCL-153P, TTCL-100, SELV-300P, DVELV-300P **Cooper:** ASPIRE-9573, DEVINE-DLC03P, SKYE-SLC03P, SAL06P, AAL06-C1-K-L, DAL06P-C1-K-L

\*The listed dimmers have been tested and proven to work under limited laboratory conditions. All possible electrical conditions cannot be accurately simulated, and therefore some discrepancy may exist.

### APPLICATION INFORMATION

| Applications     | Market Segments |
|------------------|-----------------|
| — Track Lighting | — Residential   |
| — Recessed Can   | — Hospitality   |
| — Display Lights | — Office        |
|                  | — Retail        |

### Application Notes

1. Operating temperature range between -20°C and +45°C (-4°F and +113°F)
2. Not for use with emergency light fixtures or exit lights
3. Not for use in totally enclosed fixture
4. Suitable for indoor/damp locations and sheltered outdoor use

This device complies with Part 15 of the FCC rules and has been tested and found to comply with the limits for a Class B digital device. These limits are designed to provide reasonable protection against harmful interference in a residential installation. This equipment uses and can radiate radio frequency energy and, if not installed and used in accordance with the instructions, may cause harmful interference to radio communications. Any changes or modifications not expressly approved by the manufacturer could void the user's authority to operate the equipment.

### CERTIFICATIONS



LM79 reports are available upon request.



Based on 12 hours of use per day.

# R SERIES

## ORDERING INFORMATION

### R20

| Order Code | Part Number          | Wattage (W) | Base | Replaces | Voltage (V) | CCT <sup>1</sup> | Typical Lumens <sup>2</sup> | CRI <sup>3</sup> | Dim | Beam | Weight (lbs) | Case Quantity |
|------------|----------------------|-------------|------|----------|-------------|------------------|-----------------------------|------------------|-----|------|--------------|---------------|
| K2L4       | LED-450-R20-27       | 8           | E26  | 45W R20  | 120         | 2700K            | 450                         | 81               | Yes | 120° | 0.3          | 24            |
| K2L5       | LED-450-R20-50       | 8           | E26  | 45W R20  | 120         | 5000K            | 450                         | 82               | Yes | 120° | 0.3          | 24            |
| K2L6       | LED-450-R20-41-MV-ND | 8           | E26  | 45W R20  | 120-277     | 4100K            | 450                         | 83               | No  | 120° | 0.3          | 24            |

### R30

| Order Code | Part Number           | Wattage (W) | Base | Replaces | Voltage (V) | CCT <sup>1</sup> | Typical Lumens <sup>2</sup> | CRI <sup>3</sup> | Dim | Beam | Weight (lbs) | Case Quantity |
|------------|-----------------------|-------------|------|----------|-------------|------------------|-----------------------------|------------------|-----|------|--------------|---------------|
| K2L9       | LED-700-R30-27        | 12          | E26  | 60W R30  | 120         | 2700K            | 700                         | 81               | Yes | 120° | 0.6          | 18            |
| K3L1       | LED-700-R30-50        | 12          | E26  | 60W R30  | 120         | 5000K            | 700                         | 85               | Yes | 120° | 0.6          | 18            |
| K3L3       | LED-1100-R30-27       | 17          | E26  | 75W R30  | 120         | 2700K            | 1100                        | 81               | Yes | 120° | 0.8          | 18            |
| K3L4       | LED-1100-R30-50       | 17          | E26  | 75W R30  | 120         | 5000K            | 1100                        | 83               | Yes | 120° | 0.8          | 18            |
| K3L2       | LED-700-R30-41-MV-ND  | 12          | E26  | 60W R30  | 120-277     | 4100K            | 700                         | 84               | No  | 120° | 0.6          | 18            |
| K3L5       | LED-1100-R30-41-MV-ND | 17          | E26  | 75W R30  | 120-277     | 4100K            | 1100                        | 84               | No  | 120° | 0.8          | 18            |

### R40

| Order Code | Part Number           | Wattage (W) | Base | Replaces | Voltage (V) | CCT <sup>1</sup> | Typical Lumens <sup>2</sup> | CRI <sup>3</sup> | Dim | Beam | Weight (lbs) | Case Quantity |
|------------|-----------------------|-------------|------|----------|-------------|------------------|-----------------------------|------------------|-----|------|--------------|---------------|
| K4L1       | LED-800-R40-27        | 13          | E26  | 60W R40  | 120         | 2700K            | 800                         | 82               | Yes | 120° | 1.1          | 18            |
| K4L2       | LED-800-R40-50        | 13          | E26  | 60W R40  | 120         | 5000K            | 800                         | 83               | Yes | 120° | 1.1          | 18            |
| K4L4       | LED-1100-R40-27       | 18          | E26  | 75W R40  | 120         | 2700K            | 1100                        | 81               | Yes | 120° | 1.1          | 18            |
| K4L5       | LED-1100-R40-50       | 18          | E26  | 75W R40  | 120         | 5000K            | 1100                        | 83               | Yes | 120° | 1.1          | 18            |
| K4L7       | LED-1600-R40-27       | 25          | E26  | 100W R40 | 120         | 2700K            | 1955                        | 82               | Yes | 120° | 1.3          | 18            |
| K4L8       | LED-1600-R40-50       | 25          | E26  | 100W R40 | 120         | 5000K            | 2170                        | 82               | Yes | 120° | 1.3          | 18            |
| K5L1       | LED-2550-R40-27       | 31          | E26  | 150W R40 | 120         | 2700K            | 2550                        | 81               | Yes | 120° | 1.3          | 18            |
| K5L2       | LED-2780-R40-50       | 27          | E26  | 150W R40 | 120         | 5000K            | 2780                        | 85               | Yes | 120° | 1.3          | 18            |
| K4L3       | LED-800-R40-41-MV-ND  | 13          | E26  | 60W R40  | 120-277     | 4100K            | 800                         | 85               | No  | 120° | 1.1          | 18            |
| K4L6       | LED-1100-R40-41-MV-ND | 18          | E26  | 75W R40  | 120-277     | 4100K            | 1100                        | 84               | No  | 120° | 1.1          | 18            |
| K4L9       | LED-1600-R40-41-MV-ND | 25          | E26  | 100W R40 | 120-277     | 4100K            | 1600                        | 85               | No  | 120° | 1.3          | 18            |

1. Thermally stable typical CCT (±10%) 2. Thermally stable typical lumens (±10%) 3. CRI - Color Rendering Index

For the most up-to-date specifications, visit [kobielectric.com](http://kobielectric.com).