

R SERIES

R20 R30 R40

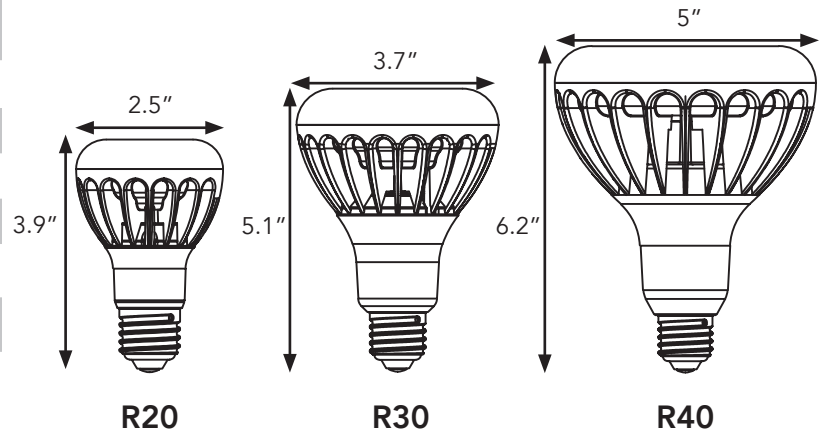


BENEFITS

- Up to 82% more efficient than incandescent equivalent
- Longer life and lower maintenance costs
- Dimmable when used with approved dimming switch (120V models)
- Mercury and Lead free, as well as UV and IR free
- Instant on to full brightness

SPECIFICATIONS

EQUIVALENT	45 to 150 Watt Incandescent
AVERAGE RATED LIFE	25,000 hrs
HOUSING	Aluminum
BASE	Medium (E26)
POWER	120V and 120-277V, 60Hz
LENS	Frosted Polycarbonate
BEAM	120°
COLOR (K)	2700, 4000, 5000



DIMMER COMPATIBILITY*

Lutron: MACL-153M, LGCL-153PLH, TAL06P-C1-K-L, TGCL-153PH, AYCL-153P, DVCL-153P, DVSCCL-153P, SCL-153P, MSCL-OP153M, CTCL-153P, TTCL-100, SELV-300P, DVELV-300P **Cooper:** ASPIRE-9573, DEVINE-DLC03P, SKYE-SLC03P, SAL06P, AAL06-C1-K-L, DAL06P-C1-K-L

*The listed dimmers have been tested and proven to work under limited laboratory conditions. All possible electrical conditions cannot be accurately simulated, and therefore some discrepancy may exist.

APPLICATION INFORMATION

Applications	Market Segments
— Track Lighting	— Residential
— Recessed Can	— Hospitality
— Display Lights	— Office
	— Retail

Application Notes

1. Operating temperature range between -20°C and +45°C (-4°F and +113°F)
2. Not for use with emergency light fixtures or exit lights
3. Not for use in totally enclosed fixture
4. Suitable for indoor/damp locations and sheltered outdoor use

This device complies with Part 15 of the FCC rules and has been tested and found to comply with the limits for a Class B digital device. These limits are designed to provide reasonable protection against harmful interference in a residential installation. This equipment uses and can radiate radio frequency energy and, if not installed and used in accordance with the instructions, may cause harmful interference to radio communications. Any changes or modifications not expressly approved by the manufacturer could void the user's authority to operate the equipment.

CERTIFICATIONS



LM79 reports are available upon request.



Based on 12 hours of use per day.

R SERIES

ORDERING INFORMATION

R20

Order Code	Part Number	Wattage (W)	Base	Replaces	Voltage (V)	CCT ¹	Typical Lumens ²	CRI ³	Dim	Beam	Weight (lbs)	Case Quantity
K2L4	LED-450-R20-27	8	E26	45W R20	120	2700K	450	81	Yes	120°	0.3	24
K2L5	LED-450-R20-50	8	E26	45W R20	120	5000K	450	82	Yes	120°	0.3	24
K2L6	LED-450-R20-41-MV-ND	8	E26	45W R20	120-277	4100K	450	83	No	120°	0.3	24

R30

Order Code	Part Number	Wattage (W)	Base	Replaces	Voltage (V)	CCT ¹	Typical Lumens ²	CRI ³	Dim	Beam	Weight (lbs)	Case Quantity
K2L9	LED-700-R30-27	12	E26	60W R30	120	2700K	700	81	Yes	120°	0.6	18
K3L1	LED-700-R30-50	12	E26	60W R30	120	5000K	700	85	Yes	120°	0.6	18
K3L3	LED-1100-R30-27	17	E26	75W R30	120	2700K	1100	81	Yes	120°	0.8	18
K3L4	LED-1100-R30-50	17	E26	75W R30	120	5000K	1100	83	Yes	120°	0.8	18
K3L2	LED-700-R30-41-MV-ND	12	E26	60W R30	120-277	4100K	700	84	No	120°	0.6	18
K3L5	LED-1100-R30-41-MV-ND	17	E26	75W R30	120-277	4100K	1100	84	No	120°	0.8	18

R40

Order Code	Part Number	Wattage (W)	Base	Replaces	Voltage (V)	CCT ¹	Typical Lumens ²	CRI ³	Dim	Beam	Weight (lbs)	Case Quantity
K4L1	LED-800-R40-27	13	E26	60W R40	120	2700K	800	82	Yes	120°	1.1	18
K4L2	LED-800-R40-50	13	E26	60W R40	120	5000K	800	83	Yes	120°	1.1	18
K4L4	LED-1100-R40-27	18	E26	75W R40	120	2700K	1100	81	Yes	120°	1.1	18
K4L5	LED-1100-R40-50	18	E26	75W R40	120	5000K	1100	83	Yes	120°	1.1	18
K4L7	LED-1600-R40-27	25	E26	100W R40	120	2700K	1955	82	Yes	120°	1.3	18
K4L8	LED-1600-R40-50	25	E26	100W R40	120	5000K	2170	82	Yes	120°	1.3	18
K5L1	LED-2550-R40-27	31	E26	150W R40	120	2700K	2550	81	Yes	120°	1.3	18
K5L2	LED-2780-R40-50	27	E26	150W R40	120	5000K	2780	85	Yes	120°	1.3	18
K4L3	LED-800-R40-41-MV-ND	13	E26	60W R40	120-277	4100K	800	85	No	120°	1.1	18
K4L6	LED-1100-R40-41-MV-ND	18	E26	75W R40	120-277	4100K	1100	84	No	120°	1.1	18
K4L9	LED-1600-R40-41-MV-ND	25	E26	100W R40	120-277	4100K	1600	85	No	120°	1.3	18

1. Thermally stable typical CCT (±10%) 2. Thermally stable typical lumens (±10%) 3. CRI - Color Rendering Index

For the most up-to-date specifications, visit kobielectric.com.