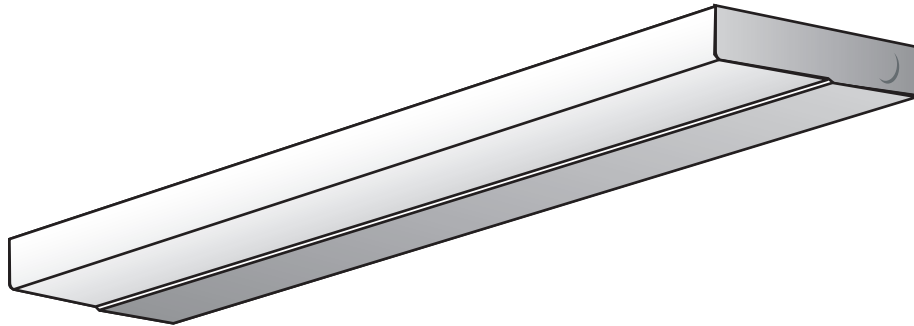


Wall Mount Series TIE



Intended Use
High Performance Undercabinet Light.

FEATURES & SPECIFICATIONS

Specifications

- Knockouts provided on cover for optional convenience outlet.
- Knockouts provided on side and back for power feed.
- Keyhole mounting slots provided on back.
- 1/2" Power connector included.
- Completely wired, ready for installation.
- Comes complete with switch in box & conduit connector with lamps.

Electrical

UL listed 120V power factor corrected electronic ballast.

- No annoying lamp flickering during start up - Instant On!
- Energy efficient electronic ballast - lower operating cost.
- Cooler operation - as much as 60% less than conventional pre-heat ballast.
- Quieter - eliminates ballast noise.
- No starter required.

Housing

Die formed housing of sturdy 20 gauge steel.

Diffuser

One piece extruded ribbed white diffuser designed to snap-out for easy installation and relamping.

Finish

All metal surfaces are specially treated for rust resistance and better paint adhesion, then electrostatically sprayed with high white enamel of 87% reflectance and baked at 375 for maximum durability.

Listing

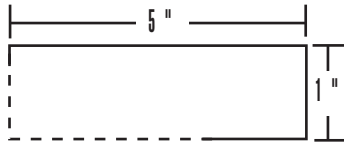
Fixtures conform to Underwriters' Laboratories standards for production and are carefully tested prior to packing.

Optional Equipment

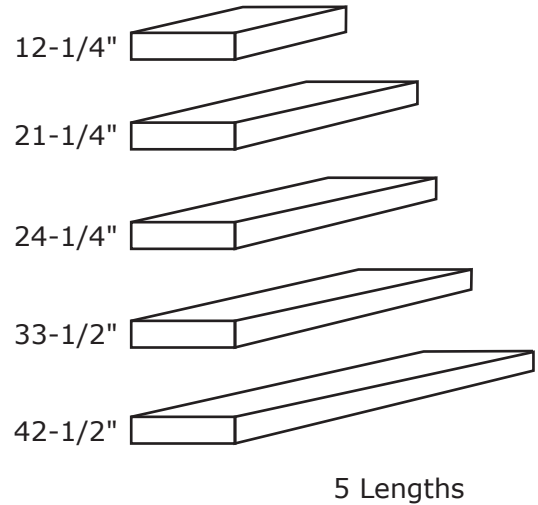
- Grounded convenience outlet
- GLR fuse and fuse holder
- Lamps
- 6 foot, 3 conductor power cord

Wall Mount Series TIE

DIMENSIONS



Note: Dimensions subject to change without notice.
Please contact factory for verification



5 Lengths

ORDERING INFORMATION

| SERIES TIE | | |
|---------------------------|--------------------|--------------------|
| <u>Part Number</u> | <u>Bulb</u> | <u>Size</u> |
| TIE 108 SLN | 1-F8T5 | 12-1/4" X 5" X 1" |
| TIE 113 SLN | 1-F13T5 | 21-1/4" X 5" X 1" |
| TIE 208 SLN | 2-F8T5 | 24-1/2" X 5" X 1" |
| TIE 813 SLN | 1-F8T5 & 1-F13T5 | 33-1/2" X 5" X 1" |
| TIE 213 SLN | 2-F13T5 | 42-1/2" X 5" X 1" |

S - 120V Residential Ballast
LN - Lamp included in Cool White