

# 4" CAN RETROFIT KIT 11W

TITANIUM LED SERIES 3.0



Can be used for  
**T24  
2008**  
California Title 24  
High Efficacy  
Compliant

PRO



11W REPLACES



**60W  
Inc.**

80% Energy Savings

**\$176** Savings  
per lamp\*

- ⌚ Fixture takes just minutes to install
- ⌚ Comfortable diffused light
- ⌚ Smooth dimming with existing dimmers
- ⌚ Compatible with most 4" housing
- ⌚ Meets Title 24 installation standards
- ⌚ GU24 connector available\*\*



35,000 H



DIMMABLE



EFFICACY



WARRANTY



CRI (Ra)



EVERLIGHT



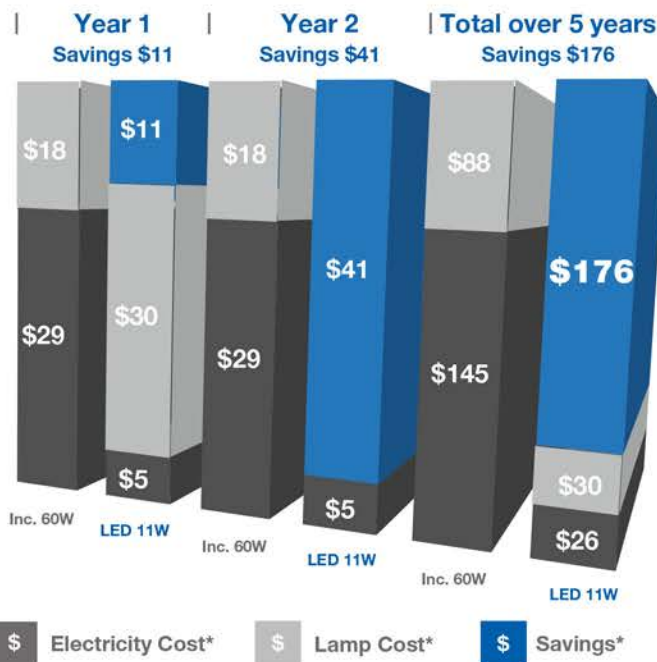
LM 79

LM 80

TM 21



## RETURN ON INVESTMENT



The initial investment of changing a 60W incandescent R20 lamp to an 11W GREEN CREATIVE lighting solution will take less than 10 months to recover from electricity cost savings.

Following the payback period, the lamp will save \$41 annually throughout the lifetime of the product. Over a 5 year period, each replaced lamp will save \$176 in lighting costs and 1073kW of electricity, equivalent to 0.76 metric tons of CO<sub>2</sub> or the amount of carbon sequestered by 19 trees over 10 years\*.

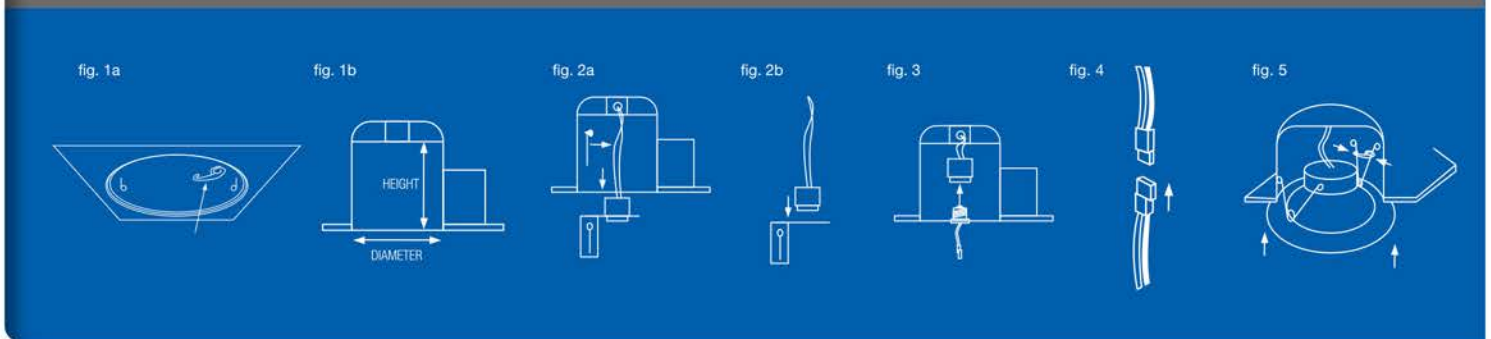
The monthly cost of waiting before changing to a GREEN CREATIVE energy efficient lighting solution is \$3.43 per lamp.

Furthermore, GREEN CREATIVE lamps are maintenance free with 35,000 hour lifetimes providing additional savings not taken into account in this model.

\*Model assumes Price of Electricity is \$0.11 / kWh (energy costs vary depending on region), Lamp Usage is 12 hours / day (4,380 hours / year), Price of 60W incandescent is \$4 with 1000 hour lifetime, GREEN CREATIVE 11W LED is \$30 with 35,000 hour lifetime. CO<sub>2</sub> emission and tree equivalence based on E.P.A (Environmental Protection Agency) website.

Lighting facts Per Bulb, **Brightness** 620 lumens  
**Estimated Yearly Energy Cost** \$1.32  
 (Based on 3 hrs/day, 11 ¢/kWh. Cost depends on rates and use)  
**Life** 32 years (Based on 3 hrs/day), **Energy Used** 11 watts  
**Light Appearance** 2700K

## EASY INSTALLATION



### INCANDESCENT HOUSING INSTALLATION

- Step 1. Make sure the **POWER IS TURNED OFF** at the source to the recessed housing inside which you are installing the product.
- Step 2. Once power has been turned off, remove existing trim and bulb. Unscrew the lamp socket mounting bracket inside the recessed housing (fig. 2a). Unclip the lamp socket from the bracket and remove the bracket (fig. 2b). Some housing lamp sockets might not be installed on a bracket but directly fixed on housing. In this case ignore step 2 and proceed to step 3
- Step 3. Screw Edison base adaptor into the socket (fig. 3)
- Step 4. Connect the female connector of the retrofit kit to the male connector of the socket adaptor (fig. 4).
- Step 5. Guide fixture into the housing making sure all 3 springs are inside the housing (fig. 5). Carefully tuck all the wire inside the can and gently push retrofit kit up flush to ceiling surface.

### LED HOUSING INSTALLATION

- Step 1. Connect the female connector of the retrofit kit to the male connector of the LED housing (fig. 4) and then proceed to Step 5 on the left.

### HOUSING COMPATIBILITY

Compatible with most standard 4" insulated and non-insulated housings where diameter should be 3.89" to 4.33" and Height Min. 5.52" (fig. 1). Not all existing housing meeting these requirements will be compatible, a test installation should always be performed.

## SPECIFICATIONS

Product	40697
Model	11DL4G3DIM/827
Type	4" can retrofit kit
Base	E26 (GU24 optional**)
Power (W)	11
Voltage - Frequency	120V 60Hz
Color Temp. (ANSI)	Warm White 2700K
CRI (Ra)	82
Typical lumens (lm)	620
Efficacy (LPW)	56
Dimmable	Yes***
Housing compatibility	Most 4" housing
Power Factor	0.9
Rated Lifetime - L70 (hrs.)	35,000
Dia. x MOL	5" x 3.39" (127 x 86mm)
Weight (lb. / g)	0.65lb / 296g

\*\* GU24 connector can be ordered separately. Ref. 09-GU24

\*\*\* List of tested dimmer switches available on website

\*\*\*\* Suitable for damp locations. Not for use where directly exposed to weather or water