



# Philips Lumileds

## IESNA LM-80 Test Report

### 1. Applicable LUXEON® Series part numbers

This IESNA LM-80 Test Report applies to the following LUXEON part number(s):

Product Family	Part Number	Nominal CCT
LUXEON K	LXKx-PWxx-0403	White
LUXEON K	LXKx-PWxx-0404	White
LUXEON K	LXKx-PWxx-0206	White

### 2. L70 Extrapolations per IESNA TM-21-11

	If = 350mA	If = 500mA	If = 700mA	If = 1000mA
Ts = 120°C	> 60,000	58,000		
Ts = 105°C	> 60,000	> 60,000	58,000	43,000
Ts = 85°C	> 60,000	> 60,000	> 60,000	54,000
Ts = 55°C	> 60,000	> 60,000	> 60,000	> 54,000
		= Limited by TM-21 6x rule		

The If-value in this table reflects the drive current which was used for LM-80 testing of the LUXEON product specified in Section 4.

The equivalent drive current If' for LXKx-PWxx-0403 and LXKx-PWxx-0404 can be determined as follows:  $If' = If/4$ .

The equivalent drive current If' for LXKx-PWxx-0206 can be determined as follows:  $If' = If/2$ .

### 3. Number of LED light sources tested

Eighty or 160 units per test / 25 units reported. Units reported are selected as follows:

- The first 25 units from each CCT bin are reported. See section 21 below for more detail.

### 4. Description of LED light sources tested

LUXEON Rebel p/n: LXM8-PW30 (nominal CCT 3000K)

### 5. Dates Tests Started

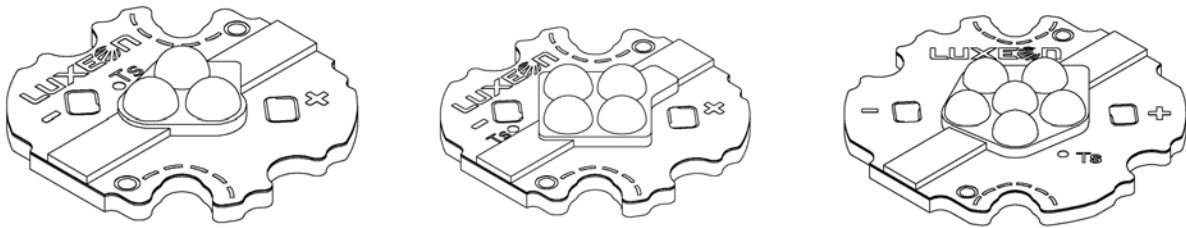
DATA SETs 10, 11, 12, 13, 14, 15, 16, 17, 18, 38, 43, 44, 45, 46: April 1, 2010 - April 3, 2010

### 6. Date Report First Issued

DATA SETs 10, 11, 12, 13, 14, 15, 16, 17, 18: DR-04 dated May 09, 2011.

DATA SETs 38, 43, 44, 45, 46: new to this report.

### 7. Package Pictures

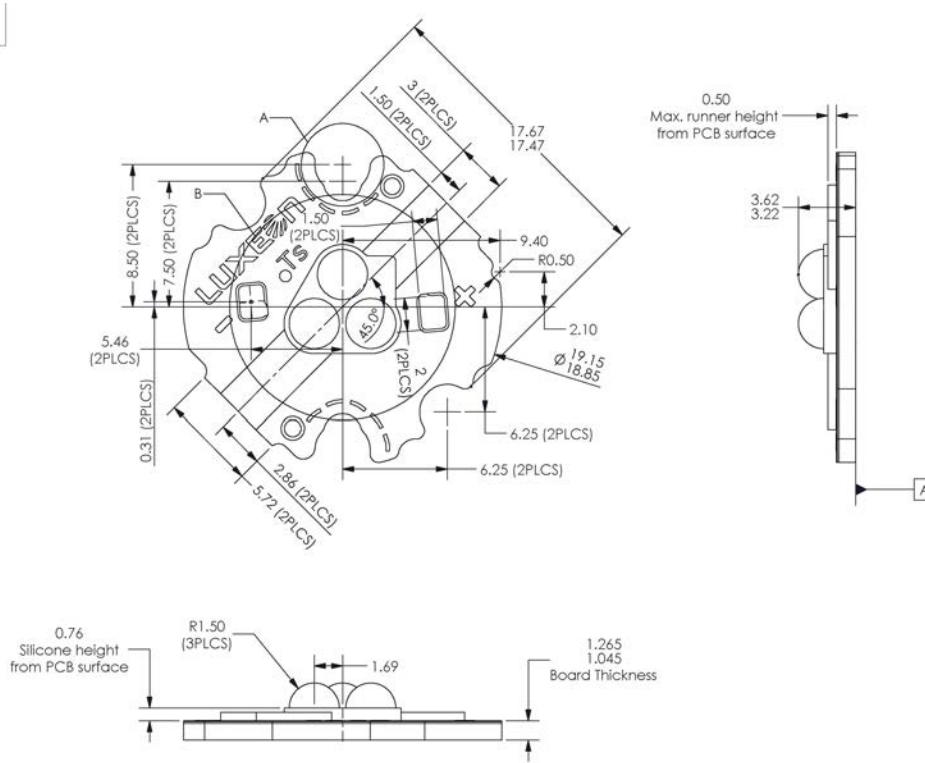


**Figure 1. Isometric drawings for the various LUXEON K configurations.**

## 8. Mechanical Drawing

For detailed mechanical drawings, please see individual product data sheet.

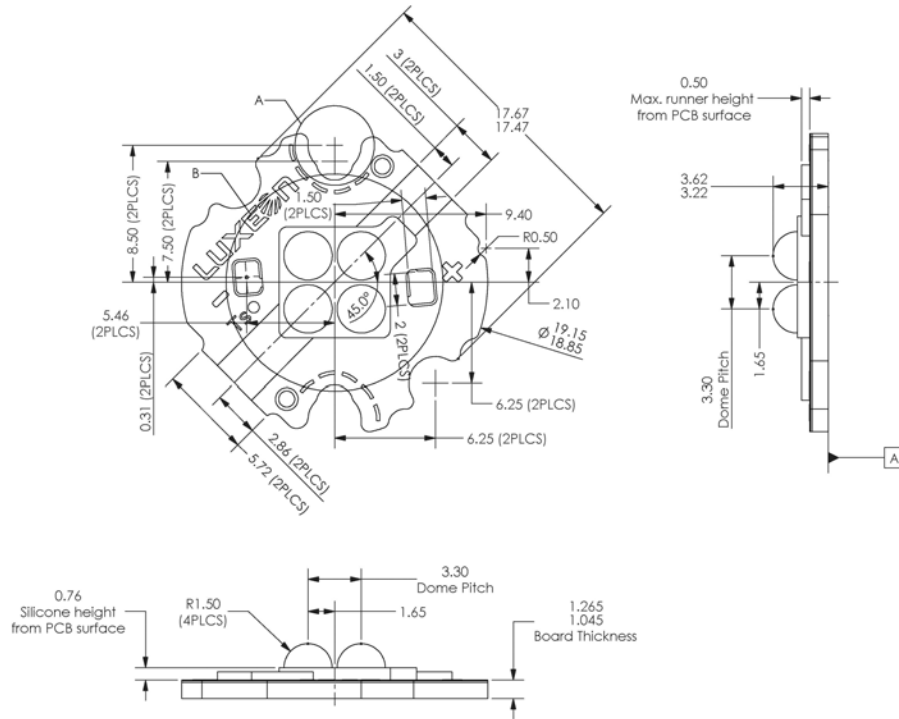
LXKx-PWxx-0x03



**Figure 2. Mechanical Drawings for LXKx-PWxx-0403**

Notes for Figure 2:

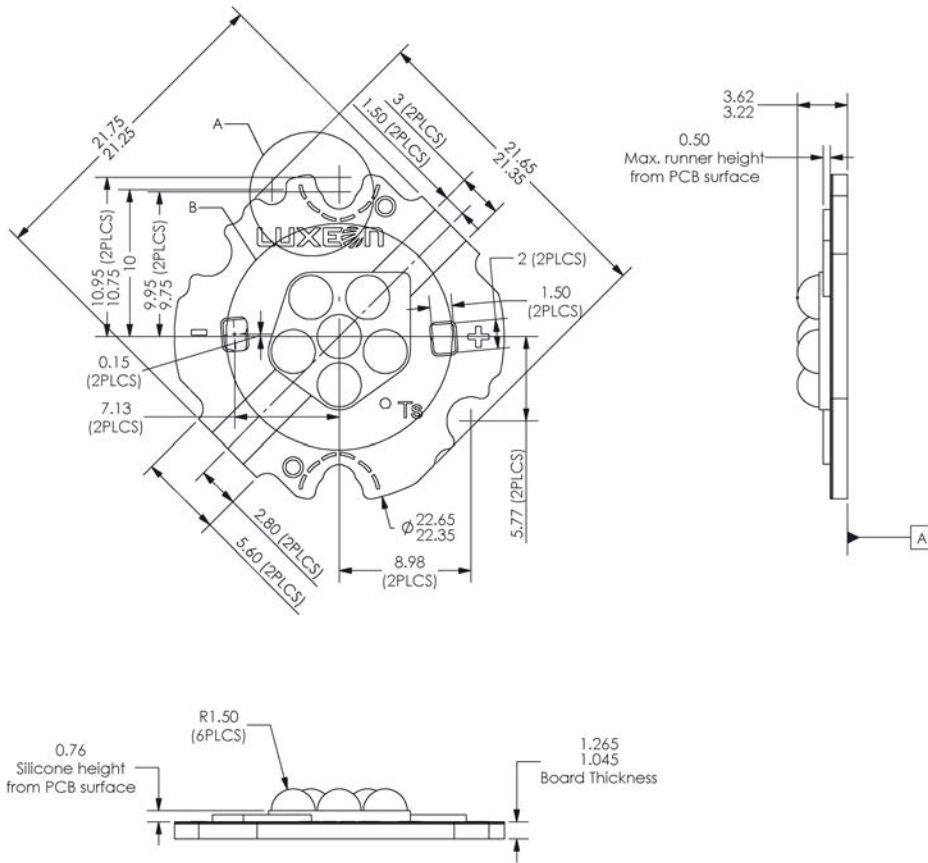
- Drawings not to scale. All dimensions are in millimeters.



**Figure 3. Mechanical Drawings for LXKx-PWxx-0404**

Notes for Figure 3:

- Drawings not to scale. All dimensions are in millimeters.



**Figure 4. Mechanical Drawings for LXKx-PWxx-0206**

Notes for Figure 4:

- Drawings not to scale. All dimensions are in millimeters.

### 9. $T_s$ Measurement Point

Refer to the Mechanical Drawings in Section 8 for the  $T_s$  Measurement Point.

## 10. Description of auxiliary equipment

LUXEON LED devices are soldered to reliability stress boards that can accommodate up to 160 devices. LUXEON LEDs are connected in series strings of up to 20 devices and driven by a constant current source for each series string.

Reliability stress boards are mounted in a thermal chamber which provides water or liquid N<sub>2</sub> cooling to the bottom-side of the reliability stress board.

The reliability stress board is periodically removed from the thermal chamber, allowed to cool to room temperature, and then tested.

The tester consists of a computer-controlled x-y table, integrating sphere, programmable current-source meter, and relay switching-matrix. Each LUXEON LED is positioned underneath the integrating sphere and driven with a constant-current pulse. Luminous flux, ( $u'$ ,  $v'$ ), and forward voltage are measured for each LUXEON LED.

After testing, the reliability stress board is returned to the thermal chamber for additional operation.

## 11. Operating Cycle

LUXEON LEDs are driven with a constant direct current (DC).

## 12. Ambient conditions including airflow, temperature, and relative humidity

The case temperature within the thermal chamber was characterized by mounting several thermocouples on a sample reliability stress board at the designated thermal measurement point, as shown in the application brief, LUXEON LED Thermal Measurement Guidelines (AB33). In addition, several thermocouples were mounted in the air at a distance of 1.5mm above the reliability stress board. The reliability stress board was then mounted in the thermal chamber and driven at the specified stress condition. The thermocouple readings were monitored. After the thermocouples reached thermal equilibrium, the thermocouple readings were data-logged and averaged together. The relative humidity within the oven was characterized to be < 65%.

The photometry measurement temperature is set and monitored to be within  $25^{\circ}\text{C} \pm 2^{\circ}\text{C}$  with no forced airflow and RH < 65%.

## 13. $T_s$ and ambient temperatures (ambient temperature measured 1.5mm above reliability stress board)

In all cases, both  $T_s$  and  $T_{\text{air}}$  meet or exceed the IESNA LM-80-08 limits.

## 14. Drive current of the LED light source during lifetime test

See tables.

## 15. Initial luminous flux and forward voltage at photometric measurement current

See tables.

## 16. Lumen maintenance for data for each individual light source along with median value, standard deviation, minimum and maximum lumen maintenance value for all of the light sources

See tables.

## 17. Observation of LED light source failures including the failure conditions and time of failure

No failures observed in devices reported.

## 18. LED light source monitoring interval

Units were tested at 0, 24, 168, 500, 1000, then at 1000-hour intervals after 1000 hours.

## 19. Photometric measurement uncertainty

Long-term measurement uncertainty is based on reproducibility tests done over a period of one year, calculated to  $k = 2$  coverage (i.e. 95% coverage)

Luminous Flux ( $\Phi_v$ )  $\pm 2\%$

Forward Voltage ( $V_f$ )  $\pm 0.4\%$

1976 UCS color space,  $u' \pm 0.1\%$

1976 UCS color space,  $v' \pm 0.1\%$

Note:  $u'$  and  $v'$  measurement accuracy may vary by color point location.

Note:  $k = 2$  coverage means that the numbers cited represent  $\pm 2$  standard deviations of measurement uncertainty based on reproducibility tests done over a period of one year.

## 20. Chromaticity shift reported over the measurement time

See tables.

## 21. Sampling Method/Sample size

IESNA LM-80 tests require LED samples to be operated at a minimum of a single current and three temperatures of 55°C, 85°C and a third temperature picked by the LED manufacturer. Philips Lumileds has picked the third temperature in the range of 105°C and 120°C, depending on the maximum ratings of the LED.

LED samples for IESNA LM-80 testing consist of units built from a minimum of two manufacturing lots. These manufacturing lots are picked to represent a wide parametric distribution. Samples from each of these manufacturing lots are soldered to all of the reliability stress boards for a given set of IESNA LM-80 tests. A typical IESNA LM-80 test might consist of up to two 40-unit CCT color bins distributed across one 80-LED reliability stress board, or up to four 40-unit CCT color bins distributed across two 80-LED reliability stress boards. Then the first 25 consecutive units out of the larger 40-unit sample set are reported. These reported 25 unit samples include samples from all of the same manufacturing lots which were used to populate the reliability stress boards.

## 22. ISO 17025-2005 Accreditation



American Association for Laboratory Accreditation

### SCOPE OF ACCREDITATION TO ISO/IEC 17025:2005

PHILIPS LUMILEDS LIGHTING COMPANY  
370 West Trimble Road  
San Jose, CA 95131-1008  
Majed Alayleh Phone: 408-964-2793  
Email: Majed.Alayleh@philips.com

ELECTRICAL

Valid To: July 31, 2013

Certificate Number: 3129.01

In recognition of the successful completion of the A2LA evaluation process (including an assessment of the laboratory's compliance with A2LA's EPA ENERGY STAR<sup>®</sup> Accreditation Program<sup>1</sup> requirements), accreditation is granted to this laboratory to perform the following tests:

**Test Technology:**

**Test Method(s):**

***ENERGY STAR<sup>®</sup> Testing***

Lumen Maintenance of LED Light Sources IESNA LM-80-08

<sup>1</sup> A2LA provides accreditation to the U.S. EPA's *Conditions and Criteria for Recognition of Laboratories for the ENERGY STAR Program* by verifying an organization's compliance to A2LA document *R222 - Specific Requirements - EPA ENERGY STAR Accreditation Program* and to the related test methods listed above.

Accreditation by A2LA does not infer Recognition by the EPA for ENERGY STAR testing. Please verify this organization's recognition status by using the EPA's searchable database, located at [http://www.energystar.gov/index.cfm?fuseaction=recognized\\_bodies\\_list.show\\_RCB\\_search\\_form](http://www.energystar.gov/index.cfm?fuseaction=recognized_bodies_list.show_RCB_search_form)

(A2LA Cert. No. 3129.01) Revised 07/20/2012

Page 1 of 1

5301 Buckeystown Pike, Suite 350 | Frederick, Maryland 21704-8373 | Phone: 301 644 3248 | Fax: 301 662 2974 | [www.A2LA.org](http://www.A2LA.org)





## Notes

Data is for reference only and is not an endorsement to exceed the Data Sheet operating conditions.

The TM21 extrapolations are based on the IESNA TM21 draft dated April 1st 2011. The TM-21 lumen maintenance model is based on the flux data normalized to 1 at 0 hours and the use of an exponential model for flux(time):

Flux(time) = B exp[-alpha\*time], where normally B  $\cong$  1, and alpha > 0.

An L70 extrapolation less than 0 means that the model predicts an increasing flux output with time, i.e. alpha < 0 (see graphs). Generally, this means that additional test time is needed to determine the long-term lumen maintenance behavior.

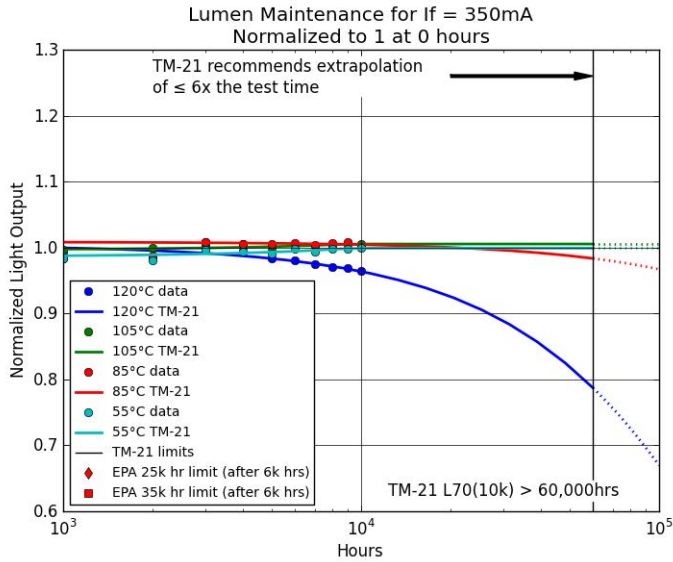
## Disclaimer

Although PHILIPS LUMILEDS LIGHTING COMPANY has attempted to provide the most accurate information and materials and services data (hereinafter "Data"), the Data is provided "as is" and may contain errors. The entire risk of use of the data shall be with the user. PHILIPS LUMILEDS LIGHTING COMPANY makes no warranty, express or implied, including, but not limited to, the implied warranties of merchantability and fitness for a particular purpose, regarding the contents or correctness of the Data provided or the ability of the Data to meet the user's needs or expectations. PHILIPS LUMILEDS LIGHTING COMPANY reserves the right to make changes without notice. You as user agree to this disclaimer and user agreement with the download or use of the provided materials and Data.

In no event shall PHILIPS LUMILEDS LIGHTING COMPANY be liable for any direct, indirect, special, incidental, exemplary, or consequential damages arising out of or related to the use of the Data, however caused, regardless of theory of liability, and whether or not PHILIPS LUMILEDS LIGHTING COMPANY has been advised of the possibility of such damage. This limitation shall apply notwithstanding any failure of essential purpose or any exclusive remedy.

**Normalized Luminous Flux Statistics for If = 350mA (LUXEON K)**

		0hrs	24hrs	168hrs	500hrs	1000hrs	2000hrs	3000hrs	4000hrs	5000hrs	6000hrs	7000hrs	8000hrs	9000hrs	10000hrs	alpha	B	L70
DATASET 10	median =	1.0000	0.9902	0.9856	0.9977	0.9921	0.9827	1.0049	1.0022	0.9847	0.9825	0.9763	0.9730	0.9707	0.9680			
Ts=Tair=120°C	average =	1.0000	0.9905	0.9858	0.9986	0.9933	0.9854	1.0041	1.0006	0.9837	0.9805	0.9742	0.9702	0.9684	0.9641	4.0470e-06	1.0035	88,998
	st dev =	0.0000	0.0031	0.0046	0.0091	0.0117	0.0108	0.0089	0.0091	0.0091	0.0107	0.0118	0.0123	0.0134	0.0146	TM-21 L70(10k) > 60,000hrs		
	min =	1.0000	0.9806	0.9734	0.9746	0.9556	0.9544	0.9847	0.9791	0.9614	0.9526	0.9433	0.9376	0.9331	0.9262			
	max =	1.0000	0.9979	0.9990	1.0219	1.0150	1.0091	1.0230	1.0191	1.0023	1.0004	0.9950	0.9908	0.9908	0.9876			
DATASET 38	median =	1.0000	0.9907	0.9869	0.9876	0.9967	1.0001	1.0080	1.0037	0.9967	1.0040	1.0009	1.0029	1.0048	1.0039			
Ts=Tair=105°C	average =	1.0000	0.9907	0.9873	0.9878	0.9965	1.0002	1.0085	1.0058	0.9990	1.0055	1.0026	1.0044	1.0056	1.0053	-9.6484e-07	0.9965	-366,051
	st dev =	0.0000	0.0029	0.0037	0.0050	0.0076	0.0107	0.0094	0.0104	0.0109	0.0107	0.0107	0.0113	0.0111	0.0112	TM-21 L70(10k) > 60,000hrs		
	min =	1.0000	0.9832	0.9773	0.9761	0.9785	0.9799	0.9850	0.9850	0.9752	0.9828	0.9814	0.9823	0.9817	0.9804			
	max =	1.0000	0.9958	0.9931	0.9966	1.0085	1.0208	1.0306	1.0291	1.0227	1.0293	1.0264	1.0288	1.0295	1.0297			
DATASET 11	median =	1.0000	0.9914	0.9883	0.9853	0.9831	0.9874	1.0094	1.0072	1.0069	1.0102	1.0060	1.0085	1.0104	1.0037			
Ts=Tair=85°C	average =	1.0000	0.9918	0.9887	0.9859	0.9843	0.9875	1.0091	1.0061	1.0047	1.0075	1.0044	1.0065	1.0081	1.0010	4.1978e-07	1.0085	869,940
	st dev =	0.0000	0.0031	0.0035	0.0037	0.0038	0.0046	0.0063	0.0071	0.0074	0.0081	0.0083	0.0088	0.0084	0.0083	TM-21 L70(10k) > 60,000hrs		
	min =	1.0000	0.9884	0.9847	0.9793	0.9778	0.9765	0.9949	0.9909	0.9879	0.9912	0.9865	0.9875	0.9915	0.9850			
	max =	1.0000	1.0015	0.9991	0.9969	0.9943	0.9962	1.0210	1.0207	1.0157	1.0199	1.0157	1.0179	1.0190	1.0123			
DATASET 12	median =	1.0000	0.9920	0.9891	0.9864	0.9840	0.9825	0.9979	0.9939	0.9907	0.9987	0.9940	0.9988	0.9982	0.9994			
Ts=Tair=55°C	average =	1.0000	0.9929	0.9889	0.9862	0.9836	0.9809	0.9973	0.9941	0.9903	0.9987	0.9940	0.9981	0.9986	0.9990	-1.3632e-06	0.9863	-251,544
	st dev =	0.0000	0.0024	0.0025	0.0026	0.0028	0.0109	0.0034	0.0035	0.0041	0.0041	0.0040	0.0045	0.0039	0.0048	TM-21 L70(10k) > 60,000hrs		
	min =	1.0000	0.9878	0.9827	0.9818	0.9793	0.9311	0.9898	0.9865	0.9822	0.9906	0.9855	0.9873	0.9897	0.9883			
	max =	1.0000	0.9972	0.9938	0.9926	0.9910	0.9926	1.0068	1.0047	1.0021	1.0116	1.0051	1.0103	1.0098	1.0093			

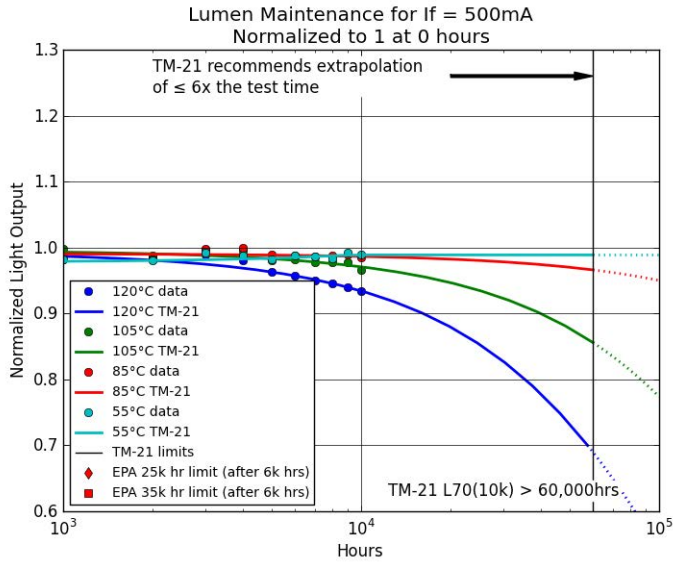


Delta u'v' for If = 350mA (LUXEON K)

		0hrs	24hrs	168hrs	500hrs	1000hrs	2000hrs	3000hrs	4000hrs	5000hrs	6000hrs	7000hrs	8000hrs	9000hrs	10000hrs
DATASET 10	median =	0.0000	0.0008	0.0010	0.0015	0.0021	0.0023	0.0022	0.0021	0.0016	0.0012	0.0009	0.0007	0.0006	0.0006
Ts=Tair=120°C	average =	0.0000	0.0008	0.0010	0.0015	0.0021	0.0023	0.0023	0.0022	0.0016	0.0011	0.0009	0.0008	0.0007	0.0008
	st dev =	0.0000	0.0001	0.0001	0.0002	0.0002	0.0002	0.0002	0.0002	0.0003	0.0004	0.0002	0.0003	0.0005	0.0007
	min =	0.0000	0.0006	0.0009	0.0013	0.0017	0.0020	0.0020	0.0019	0.0011	0.0001	0.0005	0.0002	0.0002	0.0001
	max =	0.0000	0.0013	0.0016	0.0021	0.0026	0.0027	0.0026	0.0027	0.0021	0.0016	0.0014	0.0013	0.0017	0.0024
DATASET 38	median =	0.0000	0.0009	0.0012	0.0014	0.0021	0.0025	0.0029	0.0027	0.0028	0.0028	0.0028	0.0027	0.0027	0.0018
Ts=Tair=105°C	average =	0.0000	0.0010	0.0012	0.0015	0.0021	0.0025	0.0028	0.0027	0.0028	0.0028	0.0028	0.0027	0.0026	0.0018
	st dev =	0.0000	0.0001	0.0001	0.0001	0.0002	0.0002	0.0002	0.0002	0.0002	0.0002	0.0002	0.0002	0.0002	0.0002
	min =	0.0000	0.0009	0.0011	0.0013	0.0018	0.0022	0.0025	0.0024	0.0025	0.0025	0.0025	0.0024	0.0023	0.0015
	max =	0.0000	0.0015	0.0018	0.0020	0.0025	0.0028	0.0032	0.0030	0.0031	0.0032	0.0032	0.0030	0.0030	0.0021
DATASET 11	median =	0.0000	0.0010	0.0014	0.0016	0.0017	0.0023	0.0028	0.0028	0.0028	0.0029	0.0029	0.0027	0.0028	0.0014
Ts=Tair=85°C	average =	0.0000	0.0010	0.0014	0.0016	0.0017	0.0023	0.0028	0.0028	0.0028	0.0029	0.0029	0.0027	0.0028	0.0014
	st dev =	0.0000	0.0001	0.0001	0.0001	0.0001	0.0001	0.0002	0.0002	0.0002	0.0002	0.0002	0.0002	0.0002	0.0001
	min =	0.0000	0.0009	0.0013	0.0014	0.0016	0.0020	0.0025	0.0026	0.0025	0.0026	0.0025	0.0024	0.0024	0.0013
	max =	0.0000	0.0011	0.0015	0.0017	0.0019	0.0026	0.0032	0.0032	0.0032	0.0032	0.0033	0.0031	0.0031	0.0017
DATASET 12	median =	0.0000	0.0011	0.0014	0.0016	0.0018	0.0020	0.0025	0.0029	0.0030	0.0031	0.0031	0.0029	0.0029	0.0019
Ts=Tair=55°C	average =	0.0000	0.0011	0.0015	0.0016	0.0018	0.0020	0.0025	0.0029	0.0030	0.0032	0.0032	0.0030	0.0029	0.0019
	st dev =	0.0000	0.0000	0.0001	0.0001	0.0001	0.0001	0.0001	0.0001	0.0001	0.0002	0.0002	0.0001	0.0001	0.0001
	min =	0.0000	0.0010	0.0014	0.0015	0.0016	0.0018	0.0023	0.0026	0.0028	0.0030	0.0029	0.0029	0.0028	0.0018
	max =	0.0000	0.0011	0.0015	0.0018	0.0021	0.0022	0.0028	0.0032	0.0034	0.0036	0.0035	0.0033	0.0031	0.0021

**Normalized Luminous Flux Statistics for If = 500mA (LUXEON K)**

		0hrs	24hrs	168hrs	500hrs	1000hrs	2000hrs	3000hrs	4000hrs	5000hrs	6000hrs	7000hrs	8000hrs	9000hrs	10000hrs	alpha	B	L70
DATASET 43	median =	1.0000	0.9903	0.9899	0.9968	0.9881	0.9816	0.9852	0.9776	0.9642	0.9555	0.9496	0.9454	0.9417	0.9385			
Ts=Tair=120°C	average =	1.0000	0.9904	0.9903	0.9981	0.9908	0.9845	0.9888	0.9802	0.9635	0.9573	0.9507	0.9450	0.9402	0.9346	6.0695e-06	0.9927	57,554
	st dev =	0.0000	0.0023	0.0046	0.0113	0.0094	0.0093	0.0100	0.0099	0.0109	0.0119	0.0123	0.0136	0.0144	0.0173	TM-21 L70(10k) = 57,600hrs		
	min =	1.0000	0.9859	0.9816	0.9819	0.9773	0.9722	0.9758	0.9677	0.9469	0.9337	0.9287	0.9176	0.9125	0.9019			
	max =	1.0000	0.9945	1.0001	1.0198	1.0097	1.0022	1.0063	0.9965	0.9799	0.9763	0.9735	0.9699	0.9683	0.9659			
DATASET 44	median =	1.0000	0.9912	0.9893	0.9975	0.9975	0.9871	0.9952	0.9938	0.9799	0.9821	0.9772	0.9764	0.9779	0.9662			
Ts=Tair=105°C	average =	1.0000	0.9920	0.9897	0.9976	0.9980	0.9884	0.9974	0.9953	0.9804	0.9819	0.9783	0.9773	0.9778	0.9658	2.5192e-06	0.9955	139,809
	st dev =	0.0000	0.0023	0.0042	0.0075	0.0082	0.0074	0.0087	0.0086	0.0091	0.0089	0.0089	0.0091	0.0091	0.0116	TM-21 L70(10k) > 60,000hrs		
	min =	1.0000	0.9888	0.9856	0.9873	0.9833	0.9765	0.9834	0.9810	0.9664	0.9673	0.9642	0.9632	0.9626	0.9443			
	max =	1.0000	1.0006	1.0076	1.0203	1.0162	1.0074	1.0183	1.0149	1.0005	1.0011	0.9975	0.9976	0.9964	0.9932			
DATASET 45	median =	1.0000	0.9918	0.9876	0.9837	0.9827	0.9843	1.0003	1.0014	0.9886	0.9877	0.9864	0.9877	0.9898	0.9863			
Ts=Tair=85°C	average =	1.0000	0.9920	0.9871	0.9840	0.9828	0.9819	0.9987	0.9997	0.9893	0.9876	0.9863	0.9876	0.9891	0.9853	4.1805e-07	0.9906	830,652
	st dev =	0.0000	0.0029	0.0036	0.0037	0.0040	0.0098	0.0069	0.0082	0.0091	0.0086	0.0089	0.0087	0.0086	0.0090	TM-21 L70(10k) > 60,000hrs		
	min =	1.0000	0.9871	0.9794	0.9764	0.9758	0.9452	0.9833	0.9816	0.9744	0.9731	0.9711	0.9728	0.9746	0.9697			
	max =	1.0000	0.9972	0.9936	0.9918	0.9904	0.9912	1.0082	1.0148	1.0068	1.0039	1.0028	1.0050	1.0054	1.0023			
DATASET 46	median =	1.0000	0.9953	0.9939	0.9878	0.9828	0.9804	0.9928	0.9887	0.9816	0.9884	0.9867	0.9827	0.9925	0.9891			
Ts=Tair=55°C	average =	1.0000	0.9950	0.9934	0.9879	0.9825	0.9805	0.9924	0.9886	0.9819	0.9886	0.9865	0.9828	0.9921	0.9888	-1.1943e-06	0.9780	-280,013
	st dev =	0.0000	0.0049	0.0042	0.0039	0.0044	0.0042	0.0046	0.0035	0.0039	0.0042	0.0036	0.0036	0.0036	0.0037	TM-21 L70(10k) > 60,000hrs		
	min =	1.0000	0.9805	0.9831	0.9814	0.9746	0.9720	0.9825	0.9820	0.9758	0.9816	0.9780	0.9738	0.9831	0.9794			
	max =	1.0000	1.0023	0.9999	0.9951	0.9907	0.9881	1.0041	0.9980	0.9920	0.9999	0.9952	0.9913	0.9988	0.9953			

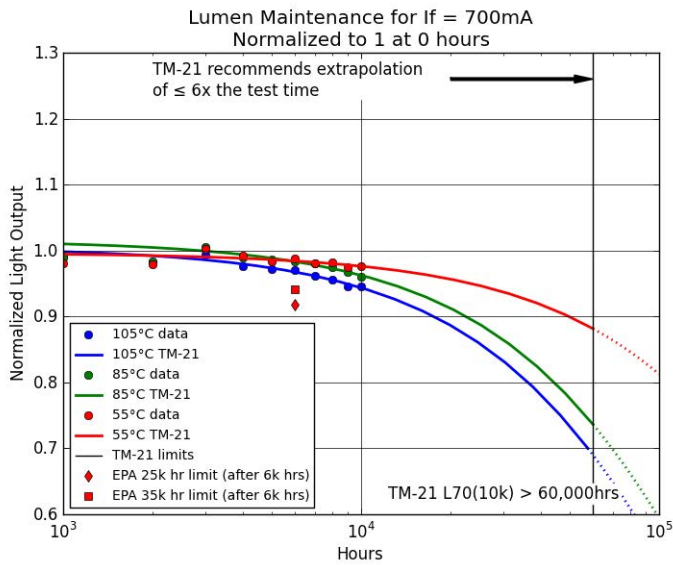


Delta u'v' for If = 500mA (LUXEON K)

		0hrs	24hrs	168hrs	500hrs	1000hrs	2000hrs	3000hrs	4000hrs	5000hrs	6000hrs	7000hrs	8000hrs	9000hrs	10000hrs
DATASET 43	median =	0.0000	0.0009	0.0012	0.0019	0.0023	0.0024	0.0022	0.0018	0.0009	0.0004	0.0008	0.0016	0.0019	0.0031
Ts=Tair=120°C	average =	0.0000	0.0009	0.0012	0.0019	0.0023	0.0024	0.0022	0.0019	0.0009	0.0005	0.0010	0.0016	0.0020	0.0033
	st dev =	0.0000	0.0001	0.0001	0.0001	0.0001	0.0001	0.0001	0.0002	0.0003	0.0004	0.0006	0.0008	0.0011	0.0014
	min =	0.0000	0.0008	0.0010	0.0017	0.0021	0.0023	0.0018	0.0014	0.0003	0.0001	0.0001	0.0002	0.0003	0.0011
	max =	0.0000	0.0010	0.0013	0.0021	0.0026	0.0027	0.0026	0.0023	0.0017	0.0014	0.0023	0.0034	0.0042	0.0061
DATASET 44	median =	0.0000	0.0009	0.0012	0.0018	0.0023	0.0027	0.0028	0.0029	0.0028	0.0027	0.0026	0.0024	0.0023	0.0017
Ts=Tair=105°C	average =	0.0000	0.0009	0.0012	0.0018	0.0023	0.0027	0.0029	0.0029	0.0028	0.0027	0.0026	0.0024	0.0023	0.0017
	st dev =	0.0000	0.0001	0.0001	0.0002	0.0002	0.0002	0.0002	0.0002	0.0002	0.0002	0.0003	0.0003	0.0003	0.0004
	min =	0.0000	0.0008	0.0010	0.0013	0.0019	0.0022	0.0023	0.0023	0.0022	0.0021	0.0020	0.0018	0.0017	0.0009
	max =	0.0000	0.0011	0.0014	0.0022	0.0028	0.0033	0.0034	0.0034	0.0033	0.0032	0.0031	0.0030	0.0030	0.0024
DATASET 45	median =	0.0000	0.0010	0.0014	0.0016	0.0020	0.0027	0.0030	0.0030	0.0031	0.0033	0.0032	0.0033	0.0033	0.0022
Ts=Tair=85°C	average =	0.0000	0.0010	0.0014	0.0016	0.0020	0.0027	0.0030	0.0031	0.0031	0.0033	0.0032	0.0033	0.0033	0.0022
	st dev =	0.0000	0.0001	0.0001	0.0001	0.0001	0.0003	0.0002	0.0002	0.0002	0.0002	0.0002	0.0002	0.0001	0.0003
	min =	0.0000	0.0009	0.0013	0.0015	0.0018	0.0018	0.0027	0.0028	0.0029	0.0030	0.0030	0.0030	0.0030	0.0016
	max =	0.0000	0.0012	0.0017	0.0019	0.0024	0.0032	0.0034	0.0036	0.0035	0.0036	0.0036	0.0036	0.0036	0.0026
DATASET 46	median =	0.0000	0.0011	0.0015	0.0018	0.0020	0.0024	0.0030	0.0033	0.0034	0.0035	0.0035	0.0032	0.0033	0.0019
Ts=Tair=55°C	average =	0.0000	0.0011	0.0016	0.0018	0.0020	0.0024	0.0031	0.0033	0.0034	0.0035	0.0035	0.0032	0.0032	0.0019
	st dev =	0.0000	0.0001	0.0001	0.0001	0.0001	0.0001	0.0002	0.0001	0.0002	0.0002	0.0002	0.0002	0.0002	0.0001
	min =	0.0000	0.0010	0.0015	0.0017	0.0019	0.0022	0.0028	0.0030	0.0030	0.0032	0.0032	0.0029	0.0029	0.0015
	max =	0.0000	0.0013	0.0017	0.0020	0.0023	0.0026	0.0034	0.0036	0.0037	0.0038	0.0038	0.0034	0.0034	0.0021

**Normalized Luminous Flux Statistics for If = 700mA (LUXEON K)**

	0hrs	24hrs	168hrs	500hrs	1000hrs	2000hrs	3000hrs	4000hrs	5000hrs	6000hrs	7000hrs	8000hrs	9000hrs	10000hrs	alpha	B	L70	
DATASET 13	median =	1.0000	0.9943	0.9930	1.0070	0.9894	0.9810	0.9936	0.9756	0.9721	0.9710	0.9617	0.9556	0.9464	0.9462			
Ts=Tair=105°C	average =	1.0000	0.9950	0.9938	1.0053	0.9903	0.9819	0.9940	0.9767	0.9716	0.9707	0.9617	0.9556	0.9456	0.9459	6.2611e-06	1.0045	57,690
	st dev =	0.0000	0.0027	0.0052	0.0080	0.0069	0.0065	0.0068	0.0064	0.0072	0.0076	0.0071	0.0074	0.0087	0.0088	TM-21 L70(10k) = 57,700hrs		
	min =	1.0000	0.9901	0.9860	0.9902	0.9814	0.9734	0.9840	0.9664	0.9606	0.9589	0.9496	0.9384	0.9285	0.9267			
	max =	1.0000	1.0036	1.0097	1.0180	1.0041	0.9958	1.0089	0.9920	0.9863	0.9880	0.9750	0.9699	0.9612	0.9624			
DATASET 14	median =	1.0000	0.9998	0.9938	0.9940	0.9886	0.9833	1.0041	0.9886	0.9838	0.9834	0.9792	0.9744	0.9672	0.9603			
Ts=Tair=85°C	average =	1.0000	0.9999	0.9931	0.9946	0.9896	0.9838	1.0058	0.9897	0.9858	0.9842	0.9800	0.9753	0.9674	0.9603	5.3562e-06	1.0154	69,450
	st dev =	0.0000	0.0045	0.0057	0.0050	0.0065	0.0080	0.0084	0.0087	0.0083	0.0082	0.0081	0.0079	0.0074	0.0076	TM-21 L70(10k) > 60,000hrs		
	min =	1.0000	0.9913	0.9763	0.9872	0.9791	0.9722	0.9931	0.9758	0.9742	0.9718	0.9688	0.9637	0.9566	0.9481			
	max =	1.0000	1.0092	1.0040	1.0069	1.0057	1.0065	1.0269	1.0111	1.0058	1.0032	0.9985	0.9908	0.9836	0.9762			
DATASET 15	median =	1.0000	0.9990	0.9932	0.9920	0.9816	0.9798	1.0034	0.9938	0.9845	0.9893	0.9813	0.9843	0.9763	0.9773			
Ts=Tair=55°C	average =	1.0000	0.9992	0.9928	0.9918	0.9808	0.9785	1.0020	0.9922	0.9833	0.9884	0.9810	0.9824	0.9753	0.9769	2.0393e-06	0.9963	173,100
	st dev =	0.0000	0.0030	0.0039	0.0047	0.0052	0.0052	0.0060	0.0059	0.0065	0.0068	0.0068	0.0070	0.0078	0.0076	TM-21 L70(10k) > 60,000hrs		
	min =	1.0000	0.9903	0.9776	0.9746	0.9626	0.9593	0.9811	0.9714	0.9627	0.9697	0.9602	0.9624	0.9543	0.9545			
	max =	1.0000	1.0035	0.9973	0.9984	0.9877	0.9841	1.0102	1.0000	0.9909	0.9995	0.9896	0.9914	0.9863	0.9890			

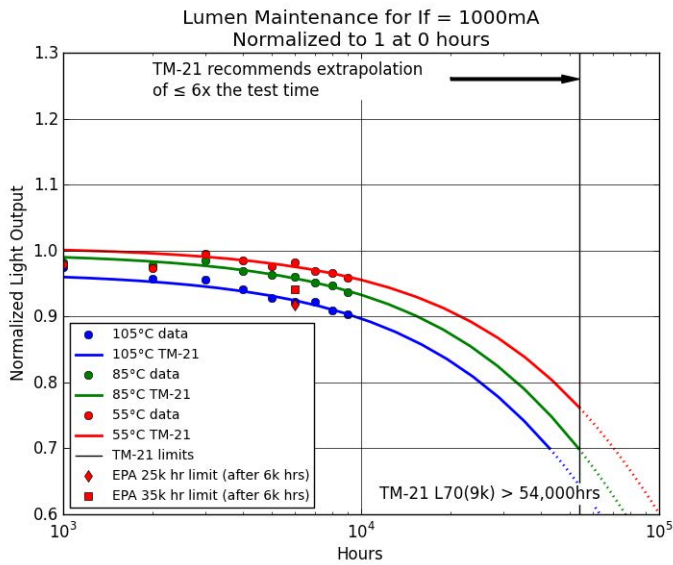


Delta u'v' for If = 700mA (LUXEON K)

		0hrs	24hrs	168hrs	500hrs	1000hrs	2000hrs	3000hrs	4000hrs	5000hrs	6000hrs	7000hrs	8000hrs	9000hrs	10000hrs
DATASET 13	median =	0.0000	0.0010	0.0015	0.0023	0.0027	0.0029	0.0031	0.0030	0.0026	0.0024	0.0022	0.0018	0.0017	0.0017
Ts=Tair=105°C	average =	0.0000	0.0010	0.0015	0.0023	0.0027	0.0029	0.0031	0.0029	0.0026	0.0023	0.0021	0.0018	0.0016	0.0017
	st dev =	0.0000	0.0001	0.0001	0.0002	0.0002	0.0002	0.0002	0.0003	0.0003	0.0003	0.0003	0.0004	0.0004	0.0004
	min =	0.0000	0.0009	0.0013	0.0020	0.0024	0.0026	0.0027	0.0023	0.0020	0.0016	0.0014	0.0011	0.0009	0.0009
	max =	0.0000	0.0011	0.0017	0.0026	0.0030	0.0032	0.0034	0.0033	0.0030	0.0027	0.0027	0.0024	0.0023	0.0024
DATASET 14	median =	0.0000	0.0012	0.0016	0.0021	0.0028	0.0034	0.0036	0.0037	0.0037	0.0036	0.0036	0.0035	0.0034	0.0027
Ts=Tair=85°C	average =	0.0000	0.0012	0.0015	0.0020	0.0028	0.0033	0.0036	0.0037	0.0037	0.0036	0.0036	0.0034	0.0033	0.0026
	st dev =	0.0000	0.0001	0.0001	0.0001	0.0002	0.0002	0.0002	0.0002	0.0002	0.0002	0.0003	0.0003	0.0004	0.0004
	min =	0.0000	0.0010	0.0013	0.0017	0.0023	0.0029	0.0032	0.0032	0.0032	0.0030	0.0030	0.0028	0.0027	0.0018
	max =	0.0000	0.0013	0.0017	0.0023	0.0031	0.0036	0.0039	0.0039	0.0039	0.0039	0.0039	0.0038	0.0040	0.0033
DATASET 15	median =	0.0000	0.0013	0.0017	0.0020	0.0024	0.0032	0.0038	0.0038	0.0038	0.0039	0.0040	0.0039	0.0039	0.0034
Ts=Tair=55°C	average =	0.0000	0.0013	0.0017	0.0020	0.0025	0.0033	0.0038	0.0039	0.0038	0.0039	0.0040	0.0039	0.0039	0.0033
	st dev =	0.0000	0.0001	0.0001	0.0001	0.0002	0.0002	0.0002	0.0002	0.0002	0.0002	0.0002	0.0002	0.0002	0.0003
	min =	0.0000	0.0011	0.0015	0.0018	0.0022	0.0029	0.0034	0.0036	0.0035	0.0036	0.0037	0.0036	0.0036	0.0026
	max =	0.0000	0.0016	0.0021	0.0025	0.0029	0.0039	0.0044	0.0044	0.0044	0.0043	0.0044	0.0043	0.0043	0.0038

**Normalized Luminous Flux Statistics for If = 1000mA (LUXEON K)**

	0hrs	24hrs	168hrs	500hrs	1000hrs	2000hrs	3000hrs	4000hrs	5000hrs	6000hrs	7000hrs	8000hrs	9000hrs	alpha	B	L70	
DATASET 16	median =	1.0000	0.9973	0.9986	0.9965	0.9759	0.9572	0.9559	0.9388	0.9261	0.9210	0.9232	0.9129	0.9042			
Ts=Tair=105°C	average =	1.0000	0.9968	0.9971	0.9959	0.9753	0.9574	0.9563	0.9407	0.9278	0.9222	0.9221	0.9096	0.9030	7.5327e-06	0.9670	42,902
	st dev =	0.0000	0.0061	0.0079	0.0082	0.0076	0.0082	0.0092	0.0099	0.0102	0.0115	0.0108	0.0142	0.0182	TM-21 L70(9k) = 42,900hrs		
	min =	1.0000	0.9768	0.9712	0.9736	0.9582	0.9407	0.9344	0.9216	0.9069	0.8986	0.8935	0.8805	0.8707			
	max =	1.0000	1.0106	1.0088	1.0081	0.9856	0.9711	0.9751	0.9603	0.9459	0.9415	0.9403	0.9314	0.9334			
DATASET 17	median =	1.0000	0.9985	0.9911	0.9948	0.9825	0.9773	0.9838	0.9689	0.9623	0.9594	0.9495	0.9444	0.9353			
Ts=Tair=85°C	average =	1.0000	0.9986	0.9897	0.9947	0.9822	0.9781	0.9844	0.9697	0.9631	0.9600	0.9514	0.9464	0.9375	6.5782e-06	0.9963	53,662
	st dev =	0.0000	0.0042	0.0046	0.0063	0.0072	0.0083	0.0098	0.0088	0.0093	0.0089	0.0081	0.0095	0.0087	TM-21 L70(9k) = 53,700hrs		
	min =	1.0000	0.9889	0.9781	0.9815	0.9678	0.9648	0.9682	0.9530	0.9446	0.9403	0.9361	0.9293	0.9202			
	max =	1.0000	1.0052	0.9960	1.0047	0.9961	0.9989	1.0158	0.9964	0.9911	0.9855	0.9742	0.9630	0.9543			
DATASET 18	median =	1.0000	1.0002	0.9875	0.9902	0.9773	0.9734	0.9949	0.9847	0.9780	0.9813	0.9700	0.9659	0.9596			
Ts=Tair=55°C	average =	1.0000	1.0007	0.9880	0.9909	0.9785	0.9738	0.9951	0.9849	0.9768	0.9817	0.9695	0.9657	0.9589	5.1438e-06	1.0060	70,498
	st dev =	0.0000	0.0030	0.0029	0.0041	0.0034	0.0040	0.0055	0.0064	0.0083	0.0066	0.0069	0.0072	0.0081	TM-21 L70(9k) > 54,000hrs		
	min =	1.0000	0.9943	0.9812	0.9849	0.9743	0.9656	0.9817	0.9701	0.9552	0.9663	0.9549	0.9493	0.9408			
	max =	1.0000	1.0083	0.9958	1.0034	0.9889	0.9818	1.0080	0.9980	0.9906	0.9934	0.9832	0.9780	0.9720			





Delta u'v' for If = 1000mA (LUXEON K)

		0hrs	24hrs	168hrs	500hrs	1000hrs	2000hrs	3000hrs	4000hrs	5000hrs	6000hrs	7000hrs	8000hrs	9000hrs
DATASET 16	median =	0.0000	0.0011	0.0019	0.0023	0.0023	0.0018	0.0016	0.0012	0.0011	0.0011	0.0011	0.0012	0.0014
Ts=Tair=105°C	average =	0.0000	0.0012	0.0019	0.0024	0.0024	0.0019	0.0016	0.0012	0.0012	0.0011	0.0012	0.0013	0.0017
	st dev =	0.0000	0.0002	0.0002	0.0002	0.0003	0.0005	0.0006	0.0006	0.0005	0.0004	0.0004	0.0006	0.0010
	min =	0.0000	0.0010	0.0016	0.0019	0.0019	0.0012	0.0008	0.0005	0.0004	0.0003	0.0004	0.0004	0.0005
	max =	0.0000	0.0019	0.0027	0.0031	0.0034	0.0034	0.0033	0.0029	0.0027	0.0024	0.0025	0.0025	0.0037
DATASET 17	median =	0.0000	0.0012	0.0018	0.0025	0.0031	0.0034	0.0036	0.0033	0.0028	0.0024	0.0024	0.0020	0.0018
Ts=Tair=85°C	average =	0.0000	0.0013	0.0019	0.0026	0.0032	0.0033	0.0035	0.0033	0.0028	0.0024	0.0025	0.0020	0.0018
	st dev =	0.0000	0.0001	0.0001	0.0002	0.0002	0.0002	0.0003	0.0003	0.0003	0.0003	0.0002	0.0003	0.0003
	min =	0.0000	0.0011	0.0016	0.0022	0.0028	0.0030	0.0029	0.0025	0.0022	0.0017	0.0019	0.0016	0.0013
	max =	0.0000	0.0016	0.0021	0.0029	0.0035	0.0037	0.0039	0.0038	0.0034	0.0031	0.0029	0.0026	0.0024
DATASET 18	median =	0.0000	0.0013	0.0017	0.0023	0.0030	0.0035	0.0038	0.0039	0.0037	0.0037	0.0037	0.0034	0.0031
Ts=Tair=55°C	average =	0.0000	0.0013	0.0018	0.0023	0.0031	0.0036	0.0039	0.0039	0.0038	0.0038	0.0037	0.0034	0.0031
	st dev =	0.0000	0.0001	0.0001	0.0001	0.0002	0.0003	0.0003	0.0003	0.0003	0.0003	0.0003	0.0003	0.0003
	min =	0.0000	0.0012	0.0016	0.0021	0.0028	0.0032	0.0036	0.0035	0.0034	0.0034	0.0032	0.0027	0.0024
	max =	0.0000	0.0014	0.0020	0.0027	0.0035	0.0042	0.0046	0.0045	0.0044	0.0044	0.0045	0.0041	0.0040



**TM-21 Extrapolation of Luminous Flux data for tested units**  
**DATASET 12 (LUXEON K): Ts = Tair = 55°C, If = 350mA**  
**Ts ≥ 53°C and Tair ≥ 50°C in compliance with LM-80-08**

	CCT (t=0)	alpha	B	L70
A1	2894K	-2.4028e-06	0.9826	-141,148
A2	2901K	-1.5908e-06	0.9858	-215,217
A3	2964K	-1.4856e-06	0.9856	-230,313
A4	2946K	-1.2743e-06	0.9870	-269,620
A5	2960K	-1.4865e-06	0.9837	-228,915
A6	2957K	-1.3802e-06	0.9887	-250,209
A7	2855K	-1.0509e-06	0.9896	-329,423
A8	2888K	-1.1580e-06	0.9883	-297,798
A9	2949K	-9.6774e-07	0.9899	-358,120
A10	2940K	-1.3320e-06	0.9843	-255,925
A21	2966K	-1.3669e-06	0.9855	-250,259
A22	2913K	-1.4804e-06	0.9928	-236,045
A23	2875K	-1.4179e-06	0.9886	-243,456
A24	2982K	-1.3061e-06	0.9878	-263,696
A25	3003K	-4.7005e-07	0.9875	-732,128
A26	2981K	-1.0155e-06	1.0004	-351,607
A27	2985K	-1.4221e-06	0.9870	-241,602
A28	2966K	-8.7603e-07	0.9874	-392,699
A29	2876K	-9.9733e-07	0.9884	-345,936
A30	2999K	-1.2259e-06	0.9835	-277,372
A41	3003K	-1.9257e-06	0.9763	-172,751
A42	2972K	-1.9319e-06	0.9804	-174,407
A43	2997K	-1.6243e-06	0.9831	-209,119
A44	3028K	-1.6051e-06	0.9853	-212,965
A45	3003K	-1.2748e-06	0.9783	-262,607
ave	2952K	-1.3632e-06	0.9863	-251,544

**u' data for tested units**  
**DATASET 12 (LUXEON K): Ts = Tair = 55°C, If = 350mA**  
**Ts ≥ 53°C and Tair ≥ 50°C in compliance with LM-80-08**

	CCT (t=0)	0hrs	24hrs	168hrs	500hrs	1000hrs	2000hrs	3000hrs	4000hrs	5000hrs	6000hrs	7000hrs	8000hrs	9000hrs	10000hrs
A1	2894K	0.2543	0.2534	0.2530	0.2528	0.2526	0.2523	0.2520	0.2518	0.2515	0.2514	0.2515	0.2515	0.2515	0.2524
A2	2901K	0.2541	0.2532	0.2528	0.2526	0.2523	0.2521	0.2518	0.2515	0.2514	0.2513	0.2513	0.2513	0.2514	0.2522
A3	2964K	0.2514	0.2504	0.2500	0.2498	0.2495	0.2493	0.2489	0.2488	0.2486	0.2486	0.2486	0.2486	0.2486	0.2496
A4	2946K	0.2520	0.2511	0.2506	0.2505	0.2502	0.2500	0.2495	0.2493	0.2492	0.2491	0.2492	0.2492	0.2493	0.2501
A5	2960K	0.2513	0.2503	0.2500	0.2497	0.2495	0.2493	0.2489	0.2487	0.2486	0.2485	0.2485	0.2485	0.2486	0.2495
A6	2957K	0.2515	0.2505	0.2501	0.2499	0.2497	0.2495	0.2490	0.2489	0.2487	0.2486	0.2486	0.2487	0.2487	0.2496
A7	2855K	0.2560	0.2551	0.2547	0.2545	0.2542	0.2540	0.2535	0.2534	0.2533	0.2532	0.2531	0.2532	0.2533	0.2542
A8	2888K	0.2544	0.2534	0.2530	0.2528	0.2526	0.2523	0.2520	0.2518	0.2516	0.2515	0.2515	0.2516	0.2516	0.2525
A9	2949K	0.2514	0.2505	0.2501	0.2499	0.2496	0.2494	0.2490	0.2487	0.2486	0.2485	0.2485	0.2486	0.2486	0.2495
A10	2940K	0.2523	0.2514	0.2510	0.2508	0.2505	0.2504	0.2499	0.2496	0.2496	0.2493	0.2494	0.2495	0.2495	0.2504
A21	2966K	0.2517	0.2508	0.2504	0.2502	0.2499	0.2498	0.2494	0.2492	0.2489	0.2487	0.2487	0.2488	0.2489	0.2497
A22	2913K	0.2538	0.2528	0.2524	0.2522	0.2520	0.2517	0.2514	0.2511	0.2509	0.2507	0.2508	0.2509	0.2509	0.2518
A23	2875K	0.2552	0.2542	0.2538	0.2536	0.2534	0.2532	0.2528	0.2525	0.2524	0.2522	0.2523	0.2523	0.2523	0.2532
A24	2982K	0.2508	0.2499	0.2495	0.2493	0.2492	0.2490	0.2486	0.2483	0.2481	0.2480	0.2479	0.2480	0.2481	0.2488
A25	3003K	0.2496	0.2486	0.2482	0.2480	0.2478	0.2476	0.2472	0.2469	0.2467	0.2465	0.2466	0.2467	0.2467	0.2475
A26	2981K	0.2509	0.2499	0.2496	0.2494	0.2491	0.2490	0.2485	0.2482	0.2481	0.2479	0.2480	0.2480	0.2481	0.2490
A27	2985K	0.2509	0.2499	0.2496	0.2494	0.2491	0.2489	0.2485	0.2483	0.2482	0.2480	0.2480	0.2481	0.2481	0.2489
A28	2966K	0.2512	0.2503	0.2499	0.2498	0.2495	0.2493	0.2489	0.2487	0.2485	0.2484	0.2484	0.2484	0.2485	0.2493
A29	2876K	0.2554	0.2544	0.2540	0.2538	0.2536	0.2534	0.2529	0.2527	0.2525	0.2524	0.2523	0.2524	0.2524	0.2533
A30	2999K	0.2496	0.2486	0.2483	0.2481	0.2478	0.2476	0.2472	0.2469	0.2468	0.2466	0.2466	0.2467	0.2467	0.2476
A41	3003K	0.2503	0.2494	0.2490	0.2487	0.2484	0.2481	0.2478	0.2477	0.2475	0.2474	0.2474	0.2475	0.2476	0.2486
A42	2972K	0.2515	0.2506	0.2501	0.2499	0.2496	0.2494	0.2490	0.2487	0.2485	0.2483	0.2484	0.2485	0.2486	0.2496
A43	2997K	0.2504	0.2495	0.2491	0.2488	0.2486	0.2483	0.2478	0.2477	0.2475	0.2473	0.2473	0.2475	0.2476	0.2485
A44	3028K	0.2492	0.2482	0.2479	0.2477	0.2474	0.2471	0.2467	0.2465	0.2463	0.2462	0.2462	0.2463	0.2464	0.2473
A45	3003K	0.2503	0.2493	0.2489	0.2486	0.2483	0.2481	0.2477	0.2475	0.2474	0.2472	0.2472	0.2474	0.2474	0.2484



**Forward Voltage [V] data for tested units**  
**DATASET 12 (LUXEON K): Ts = Tair = 55°C, If = 350mA**  
**Ts ≥ 53°C and Tair ≥ 50°C in compliance with LM-80-08**

	CCT (t=0)	0hrs	24hrs	168hrs	500hrs	1000hrs	2000hrs	3000hrs	4000hrs	5000hrs	6000hrs	7000hrs	8000hrs	9000hrs	10000hrs
A1	2894K	2.951	2.948	2.937	2.946	2.945	2.941	2.940	2.941	2.944	2.945	2.944	2.943	2.946	2.940
A2	2901K	3.001	2.996	2.987	2.990	2.991	2.988	2.986	2.987	2.992	2.988	2.991	2.990	2.991	2.987
A3	2964K	3.009	3.003	2.992	3.000	2.999	2.996	2.995	2.997	2.999	2.997	2.998	3.001	2.996	2.997
A4	2946K	3.027	3.021	3.008	3.015	3.015	3.011	3.007	3.014	3.014	3.012	3.013	3.012	3.013	3.008
A5	2960K	3.139	3.108	3.089	3.089	3.085	3.080	3.071	3.072	3.074	3.075	3.072	3.074	3.072	3.070
A6	2957K	3.005	2.998	2.988	2.993	2.995	2.994	2.992	2.992	2.995	2.994	2.996	2.994	2.993	2.994
A7	2855K	3.009	3.003	2.994	3.000	3.003	2.998	2.993	2.998	3.001	2.999	3.003	3.000	3.000	2.998
A8	2888K	3.005	2.996	2.988	2.992	2.994	2.991	2.990	2.989	2.993	2.994	2.994	2.994	2.995	2.991
A9	2949K	3.044	3.037	3.028	3.031	3.033	3.029	3.028	3.030	3.032	3.030	3.034	3.032	3.032	3.029
A10	2940K	3.027	3.019	3.010	3.014	3.015	3.010	3.009	3.008	3.014	3.011	3.013	3.013	3.011	3.008
A21	2966K	3.087	3.078	3.064	3.062	3.057	3.052	3.040	3.044	3.044	3.041	3.043	3.035	3.039	3.035
A22	2913K	2.976	2.970	2.961	2.966	2.965	2.965	2.963	2.966	2.967	2.966	2.970	2.969	2.968	2.970
A23	2875K	2.969	2.964	2.954	2.958	2.960	2.955	2.957	2.959	2.962	2.961	2.963	2.964	2.964	2.965
A24	2982K	3.033	3.028	3.018	3.023	3.024	3.023	3.017	3.020	3.022	3.022	3.023	3.020	3.022	3.020
A25	3003K	3.118	3.110	3.089	3.079	3.073	3.060	3.051	3.050	3.050	3.048	3.045	3.044	3.041	3.036
A26	2981K	3.061	3.042	3.031	3.029	3.027	3.024	3.020	3.021	3.022	3.021	3.025	3.024	3.026	3.024
A27	2985K	2.963	2.958	2.950	2.956	2.957	2.955	2.954	2.954	2.957	2.956	2.957	2.957	2.957	2.957
A28	2966K	2.997	2.992	2.985	2.987	2.989	2.987	2.982	2.986	2.987	2.987	2.988	2.987	2.988	2.987
A29	2876K	2.993	2.987	2.978	2.979	2.983	2.980	2.973	2.979	2.980	2.979	2.982	2.979	2.982	2.978
A30	2999K	3.171	3.125	3.102	3.101	3.096	3.089	3.081	3.082	3.083	3.079	3.084	3.083	3.085	3.079
A41	3003K	2.959	2.953	2.947	2.950	2.949	2.948	2.948	2.948	2.950	2.948	2.952	2.949	2.952	2.949
A42	2972K	3.119	3.078	3.059	3.056	3.051	3.042	3.040	3.037	3.041	3.037	3.041	3.037	3.039	3.036
A43	2997K	2.946	2.941	2.935	2.935	2.937	2.933	2.933	2.934	2.940	2.938	2.939	2.938	2.938	2.936
A44	3028K	2.967	2.960	2.954	2.955	2.957	2.954	2.953	2.955	2.955	2.956	2.960	2.957	2.956	2.955
A45	3003K	3.128	3.081	3.058	3.052	3.047	3.038	3.035	3.035	3.035	3.033	3.035	3.035	3.034	3.033



**TM-21 Extrapolation of Luminous Flux data for tested units**  
**DATASET 11 (LUXEON K): Ts = Tair = 85°C, If = 350mA**  
**Ts ≥ 83°C and Tair ≥ 80°C in compliance with LM-80-08**

	CCT (t=0)	alpha	B	L70
A2	2899K	2.9869e-07	1.0149	1,243,533
A3	2939K	1.7221e-07	1.0165	2,166,186
A4	2967K	-2.2995e-07	0.9966	-1,536,394
A5	2947K	-1.2269e-06	1.0040	-293,986
A6	2974K	-1.1450e-06	1.0022	-313,419
A7	2967K	6.8676e-09	0.9940	51,052,311
A8	2969K	7.3355e-07	1.0134	504,356
A9	2858K	2.6572e-07	1.0127	1,389,693
A10	2868K	-1.8716e-06	0.9898	-185,111
A21	2956K	7.1367e-07	1.0164	522,579
A22	3013K	-2.1868e-07	1.0100	-1,676,758
A23	2961K	8.3092e-07	1.0190	451,877
A24	3038K	1.0242e-06	1.0162	363,897
A25	2954K	5.9948e-07	1.0161	621,642
A26	2907K	4.1238e-07	1.0039	874,297
A27	2938K	1.0579e-06	1.0207	356,511
A28	2942K	2.0371e-06	1.0175	183,612
A29	3025K	4.1192e-07	1.0189	911,377
A30	2962K	7.9655e-07	1.0122	463,004
A41	2942K	1.4065e-06	1.0070	258,525
A42	2973K	1.0730e-06	1.0132	344,658
A43	2949K	3.6652e-07	0.9910	948,446
A44	2937K	9.3887e-07	0.9990	378,860
A45	2965K	1.6268e-06	1.0058	222,823
A46	2962K	4.4466e-07	1.0032	809,264
ave	2952K	4.1978e-07	1.0085	869,940

**u' data for tested units**  
**DATASET 11 (LUXEON K): Ts = Tair = 85°C, If = 350mA**  
**Ts ≥ 83°C and Tair ≥ 80°C in compliance with LM-80-08**

	CCT (t=0)	0hrs	24hrs	168hrs	500hrs	1000hrs	2000hrs	3000hrs	4000hrs	5000hrs	6000hrs	7000hrs	8000hrs	9000hrs	10000hrs
A2	2899K	0.2540	0.2530	0.2527	0.2525	0.2523	0.2519	0.2515	0.2514	0.2514	0.2513	0.2513	0.2514	0.2513	0.2528
A3	2939K	0.2519	0.2510	0.2507	0.2504	0.2503	0.2498	0.2494	0.2494	0.2493	0.2492	0.2492	0.2493	0.2493	0.2508
A4	2967K	0.2511	0.2502	0.2498	0.2496	0.2494	0.2489	0.2485	0.2485	0.2485	0.2484	0.2483	0.2485	0.2485	0.2499
A5	2947K	0.2516	0.2506	0.2503	0.2501	0.2499	0.2495	0.2490	0.2490	0.2490	0.2490	0.2490	0.2491	0.2490	0.2504
A6	2974K	0.2506	0.2497	0.2493	0.2491	0.2490	0.2485	0.2481	0.2481	0.2481	0.2480	0.2480	0.2481	0.2480	0.2494
A7	2967K	0.2510	0.2500	0.2496	0.2494	0.2493	0.2488	0.2484	0.2484	0.2483	0.2483	0.2482	0.2484	0.2483	0.2497
A8	2969K	0.2508	0.2499	0.2496	0.2493	0.2492	0.2488	0.2484	0.2484	0.2483	0.2482	0.2481	0.2482	0.2483	0.2497
A9	2858K	0.2555	0.2545	0.2542	0.2540	0.2538	0.2533	0.2529	0.2529	0.2530	0.2529	0.2528	0.2529	0.2529	0.2544
A10	2868K	0.2550	0.2541	0.2537	0.2535	0.2533	0.2528	0.2525	0.2524	0.2525	0.2523	0.2523	0.2525	0.2524	0.2539
A21	2956K	0.2516	0.2506	0.2503	0.2501	0.2500	0.2493	0.2489	0.2488	0.2488	0.2488	0.2487	0.2488	0.2487	0.2503
A22	3013K	0.2494	0.2484	0.2480	0.2479	0.2477	0.2473	0.2469	0.2469	0.2468	0.2467	0.2467	0.2469	0.2468	0.2482
A23	2961K	0.2515	0.2506	0.2503	0.2500	0.2499	0.2494	0.2490	0.2491	0.2490	0.2489	0.2489	0.2489	0.2489	0.2504
A24	3038K	0.2486	0.2477	0.2474	0.2472	0.2470	0.2465	0.2461	0.2461	0.2461	0.2459	0.2459	0.2460	0.2459	0.2474
A25	2954K	0.2515	0.2506	0.2503	0.2501	0.2499	0.2494	0.2490	0.2490	0.2490	0.2488	0.2488	0.2489	0.2488	0.2503
A26	2907K	0.2539	0.2529	0.2526	0.2524	0.2522	0.2516	0.2510	0.2510	0.2510	0.2509	0.2508	0.2509	0.2509	0.2525
A27	2938K	0.2523	0.2514	0.2511	0.2509	0.2507	0.2501	0.2496	0.2495	0.2494	0.2494	0.2493	0.2494	0.2494	0.2510
A28	2942K	0.2524	0.2514	0.2511	0.2509	0.2507	0.2502	0.2497	0.2498	0.2497	0.2496	0.2496	0.2497	0.2497	0.2511
A29	3025K	0.2493	0.2483	0.2480	0.2478	0.2476	0.2471	0.2467	0.2467	0.2467	0.2465	0.2465	0.2466	0.2465	0.2479
A30	2962K	0.2518	0.2508	0.2505	0.2502	0.2501	0.2495	0.2491	0.2492	0.2491	0.2491	0.2490	0.2491	0.2490	0.2505
A41	2942K	0.2530	0.2521	0.2516	0.2514	0.2512	0.2507	0.2503	0.2503	0.2502	0.2502	0.2502	0.2503	0.2503	0.2519
A42	2973K	0.2512	0.2503	0.2499	0.2496	0.2495	0.2491	0.2487	0.2487	0.2487	0.2487	0.2487	0.2487	0.2488	0.2503
A43	2949K	0.2522	0.2512	0.2509	0.2506	0.2504	0.2498	0.2494	0.2494	0.2494	0.2494	0.2494	0.2495	0.2495	0.2511
A44	2937K	0.2530	0.2521	0.2517	0.2514	0.2512	0.2509	0.2505	0.2505	0.2505	0.2504	0.2505	0.2506	0.2506	0.2522
A45	2965K	0.2521	0.2511	0.2507	0.2505	0.2503	0.2498	0.2493	0.2493	0.2493	0.2491	0.2492	0.2493	0.2493	0.2508
A46	2962K	0.2518	0.2508	0.2504	0.2502	0.2499	0.2494	0.2490	0.2490	0.2490	0.2489	0.2490	0.2491	0.2491	0.2507





Forward Voltage [V] data for tested units  
**DATASET 11 (LUXEON K): Ts = Tair = 85°C, If = 350mA**  
**Ts ≥ 83°C and Tair ≥ 80°C in compliance with LM-80-08**

	CCT (t=0)	0hrs	24hrs	168hrs	500hrs	1000hrs	2000hrs	3000hrs	4000hrs	5000hrs	6000hrs	7000hrs	8000hrs	9000hrs	10000hrs
A2	2899K	3.001	2.998	2.988	2.985	2.993	2.999	3.006	3.024	3.046	3.068	3.085	3.092	3.097	3.096
A3	2939K	2.991	2.986	2.977	2.978	2.988	3.003	3.028	3.081	3.127	3.135	3.138	3.139	3.140	3.138
A4	2967K	3.119	3.110	3.090	3.073	3.074	3.070	3.071	3.082	3.093	3.095	3.100	3.101	3.104	3.104
A5	2947K	3.015	3.010	3.006	3.004	3.011	3.012	3.017	3.030	3.051	3.078	3.115	3.152	3.184	3.190
A6	2974K	3.017	3.013	3.002	3.000	3.009	3.013	3.015	3.031	3.050	3.075	3.110	3.147	3.180	3.188
A7	2967K	3.117	3.108	3.086	3.074	3.073	3.071	3.075	3.087	3.093	3.099	3.104	3.103	3.105	3.108
A8	2969K	3.010	3.006	2.996	2.997	3.006	3.016	3.032	3.070	3.110	3.131	3.139	3.137	3.142	3.138
A9	2858K	2.954	2.949	2.943	2.939	2.946	2.951	2.956	2.970	2.997	3.027	3.064	3.099	3.113	3.114
A10	2868K	2.970	2.966	2.957	2.956	2.963	2.962	2.967	2.974	2.986	2.997	3.017	3.040	3.069	3.094
A21	2956K	3.007	3.007	2.997	2.996	3.003	3.005	3.013	3.028	3.048	3.071	3.086	3.093	3.096	3.098
A22	3013K	2.958	2.956	2.947	2.948	2.954	2.956	2.960	2.972	2.986	3.006	3.030	3.059	3.091	3.106
A23	2961K	3.011	3.008	2.999	3.000	3.006	3.011	3.022	3.047	3.081	3.126	3.170	3.179	3.189	3.186
A24	3038K	3.009	3.005	2.998	2.997	3.006	3.009	3.020	3.044	3.078	3.124	3.166	3.177	3.182	3.178
A25	2954K	2.973	2.966	2.959	2.958	2.964	2.968	2.973	2.994	3.018	3.050	3.091	3.126	3.141	3.143
A26	2907K	3.071	3.065	3.053	3.046	3.048	3.047	3.046	3.057	3.065	3.072	3.076	3.077	3.080	3.077
A27	2938K	2.985	2.983	2.973	2.974	2.984	2.996	3.015	3.072	3.131	3.143	3.146	3.148	3.148	3.144
A28	2942K	2.983	2.978	2.966	2.967	2.975	2.986	3.007	3.048	3.093	3.106	3.110	3.109	3.116	3.110
A29	3025K	3.047	3.041	3.033	3.035	3.041	3.046	3.061	3.088	3.139	3.209	3.263	3.277	3.281	3.278
A30	2962K	2.994	2.992	2.982	2.984	2.990	2.992	2.998	3.015	3.035	3.065	3.101	3.136	3.151	3.148
A41	2942K	3.069	3.066	3.058	3.056	3.062	3.073	3.099	3.132	3.156	3.163	3.168	3.167	3.173	3.175
A42	2973K	2.962	2.959	2.953	2.953	2.957	2.964	2.975	3.000	3.028	3.072	3.103	3.114	3.118	3.116
A43	2949K	3.097	3.090	3.075	3.066	3.063	3.060	3.058	3.067	3.077	3.077	3.083	3.080	3.087	3.084
A44	2937K	3.105	3.078	3.061	3.055	3.057	3.056	3.057	3.063	3.068	3.068	3.070	3.071	3.072	3.069
A45	2965K	3.046	3.043	3.033	3.034	3.038	3.050	3.077	3.117	3.142	3.151	3.153	3.157	3.160	3.156
A46	2962K	3.142	3.108	3.086	3.084	3.084	3.085	3.087	3.092	3.095	3.095	3.095	3.098	3.100	3.094

**Luminous Flux [lm] data for tested units**  
**DATASET 38 (LUXEON K): Ts = Tair = 105°C, If = 350mA**  
**Ts ≥ 103°C and Tair ≥ 100°C in compliance with LM-80-08**

	CCT (t=0)	0hrs	24hrs	168hrs	500hrs	1000hrs	2000hrs	3000hrs	4000hrs	5000hrs	6000hrs	7000hrs	8000hrs	9000hrs	10000hrs
A1	2955K	71.007	70.554	70.508	70.624	71.399	72.485	72.577	73.075	72.460	72.924	72.748	73.051	72.989	72.961
A2	2973K	71.400	70.812	70.674	70.961	71.902	71.973	72.350	72.808	72.311	72.803	72.644	72.975	72.915	72.904
A3	2929K	70.628	69.999	69.788	69.795	70.393	71.335	71.134	71.139	70.592	71.155	70.932	71.209	71.163	71.111
A4	2892K	73.468	73.162	72.799	72.822	73.410	74.353	74.570	74.607	73.930	74.475	74.427	74.525	74.531	74.467
A5	2866K	68.690	67.536	67.132	67.046	67.215	67.307	67.660	67.661	66.984	67.509	67.415	67.471	67.436	67.343
A6	2912K	71.915	71.360	71.078	71.023	71.596	72.109	72.493	72.198	71.629	72.322	71.979	72.219	72.275	72.195
A7	2956K	72.285	71.540	71.163	71.230	71.850	72.509	73.014	72.729	72.227	72.817	72.591	72.858	72.814	72.774
A8	2953K	72.001	71.062	70.803	70.912	71.571	71.692	72.344	71.780	71.191	71.885	71.613	71.916	71.934	71.810
A9	2922K	69.324	68.511	68.312	68.391	68.986	69.330	69.840	69.454	68.926	69.600	69.373	69.574	69.659	69.621
A10	2878K	68.205	67.681	67.457	67.746	68.785	67.956	68.962	68.677	68.263	68.346	68.528	68.719	68.798	68.846
A21	2919K	71.692	70.974	70.750	70.504	71.017	71.847	72.317	71.957	71.548	72.016	71.884	71.984	72.065	71.971
A22	2874K	69.425	68.605	68.179	67.953	68.188	68.414	69.141	69.010	68.565	69.009	68.802	68.912	68.917	68.878
A23	2930K	71.669	70.922	70.693	70.834	71.587	71.064	72.016	71.744	71.332	71.758	71.494	71.662	71.808	71.793
A24	2972K	73.036	72.371	72.069	72.046	72.541	72.543	73.350	73.146	72.692	73.165	73.006	73.067	73.239	73.204
A25	2953K	73.888	73.519	73.254	73.398	74.338	75.227	76.151	75.902	75.567	76.056	75.838	75.870	76.070	76.082
A26	3007K	74.778	74.362	74.106	74.238	75.241	76.157	76.978	76.691	76.327	76.729	76.404	76.534	76.652	76.661
A27	2910K	72.624	71.751	71.451	71.470	72.025	72.811	73.355	72.911	72.551	73.007	72.713	72.838	73.008	72.982
A28	2964K	75.511	74.823	74.531	74.574	75.346	75.698	76.346	75.891	75.611	76.018	75.666	75.778	75.969	76.004
A29	2867K	71.600	70.808	70.551	70.484	71.064	71.186	71.990	71.680	71.364	71.733	71.428	71.517	71.703	71.749
A30	2901K	73.785	73.097	72.744	72.796	73.628	73.485	74.150	73.903	73.445	73.986	73.604	73.719	73.880	73.865
A41	2975K	75.260	74.432	74.214	74.098	74.340	74.323	75.307	75.173	74.596	75.091	74.928	74.888	75.100	75.260
A42	2982K	75.916	75.364	75.341	75.409	76.098	75.877	76.696	76.481	75.946	76.268	76.075	76.061	76.176	76.099
A43	2965K	75.098	74.385	74.310	74.273	75.023	75.719	75.822	75.367	74.732	75.120	74.854	74.827	74.997	74.973
A44	2969K	75.606	74.700	74.520	74.464	74.721	74.645	75.681	75.440	74.853	75.278	74.991	75.021	75.190	75.147
A45	2967K	76.552	76.212	76.025	76.294	76.829	75.759	76.725	76.484	75.991	76.436	76.184	76.178	76.337	76.412

**Normalized Luminous Flux data for tested units**  
**DATASET 38 (LUXEON K): Ts = Tair = 105°C, If = 350mA**  
**Ts ≥ 103°C and Tair ≥ 100°C in compliance with LM-80-08**

	CCT (t=0)	0hrs	24hrs	168hrs	500hrs	1000hrs	2000hrs	3000hrs	4000hrs	5000hrs	6000hrs	7000hrs	8000hrs	9000hrs	10000hrs
A1	2955K	1.0000	0.9936	0.9930	0.9946	1.0055	1.0208	1.0221	1.0291	1.0205	1.0270	1.0245	1.0288	1.0279	1.0275
A2	2973K	1.0000	0.9918	0.9898	0.9939	1.0070	1.0080	1.0133	1.0197	1.0128	1.0197	1.0174	1.0221	1.0212	1.0211
A3	2929K	1.0000	0.9911	0.9881	0.9882	0.9967	1.0100	1.0072	1.0072	0.9995	1.0075	1.0043	1.0082	1.0076	1.0068
A4	2892K	1.0000	0.9958	0.9909	0.9912	0.9992	1.0120	1.0150	1.0155	1.0063	1.0137	1.0131	1.0144	1.0145	1.0136
A5	2866K	1.0000	0.9832	0.9773	0.9761	0.9785	0.9799	0.9850	0.9850	0.9752	0.9828	0.9814	0.9823	0.9817	0.9804
A6	2912K	1.0000	0.9923	0.9884	0.9876	0.9956	1.0027	1.0080	1.0039	0.9960	1.0057	1.0009	1.0042	1.0050	1.0039
A7	2956K	1.0000	0.9897	0.9845	0.9854	0.9940	1.0031	1.0101	1.0061	0.9992	1.0074	1.0042	1.0079	1.0073	1.0068
A8	2953K	1.0000	0.9870	0.9834	0.9849	0.9940	0.9957	1.0048	0.9969	0.9888	0.9984	0.9946	0.9988	0.9991	0.9974
A9	2922K	1.0000	0.9883	0.9854	0.9865	0.9951	1.0001	1.0074	1.0019	0.9943	1.0040	1.0007	1.0036	1.0048	1.0043
A10	2878K	1.0000	0.9923	0.9890	0.9933	1.0085	0.9963	1.0111	1.0069	1.0009	1.0021	1.0047	1.0075	1.0087	1.0094
A21	2919K	1.0000	0.9900	0.9869	0.9834	0.9906	1.0022	1.0087	1.0037	0.9980	1.0045	1.0027	1.0041	1.0052	1.0039
A22	2874K	1.0000	0.9882	0.9820	0.9788	0.9822	0.9854	0.9959	0.9940	0.9876	0.9940	0.9910	0.9926	0.9927	0.9921
A23	2930K	1.0000	0.9896	0.9864	0.9884	0.9989	0.9916	1.0048	1.0010	0.9953	1.0012	0.9976	0.9999	1.0019	1.0017
A24	2972K	1.0000	0.9909	0.9868	0.9864	0.9932	0.9933	1.0043	1.0015	0.9953	1.0018	0.9996	1.0004	1.0028	1.0023
A25	2953K	1.0000	0.9950	0.9914	0.9934	1.0061	1.0181	1.0306	1.0272	1.0227	1.0293	1.0264	1.0268	1.0295	1.0297
A26	3007K	1.0000	0.9944	0.9910	0.9928	1.0062	1.0184	1.0294	1.0256	1.0207	1.0261	1.0217	1.0235	1.0251	1.0252
A27	2910K	1.0000	0.9880	0.9839	0.9841	0.9918	1.0026	1.0101	1.0040	0.9990	1.0053	1.0012	1.0029	1.0053	1.0049
A28	2964K	1.0000	0.9909	0.9870	0.9876	0.9978	1.0025	1.0111	1.0050	1.0013	1.0067	1.0021	1.0035	1.0061	1.0065
A29	2867K	1.0000	0.9889	0.9853	0.9844	0.9925	0.9942	1.0054	1.0011	0.9967	1.0019	0.9976	0.9988	1.0014	1.0021
A30	2901K	1.0000	0.9907	0.9859	0.9866	0.9979	0.9959	1.0050	1.0016	0.9954	1.0027	0.9976	0.9991	1.0013	1.0011
A41	2975K	1.0000	0.9890	0.9861	0.9846	0.9878	0.9875	1.0006	0.9988	0.9912	0.9977	0.9956	0.9951	0.9979	1.0000
A42	2982K	1.0000	0.9927	0.9924	0.9933	1.0024	0.9995	1.0103	1.0074	1.0004	1.0046	1.0021	1.0019	1.0034	1.0024
A43	2965K	1.0000	0.9905	0.9895	0.9890	0.9990	1.0083	1.0096	1.0036	0.9951	1.0003	0.9968	0.9964	0.9987	0.9983
A44	2969K	1.0000	0.9880	0.9856	0.9849	0.9883	0.9873	1.0010	0.9978	0.9900	0.9957	0.9919	0.9923	0.9945	0.9939
A45	2967K	1.0000	0.9956	0.9931	0.9966	1.0036	0.9896	1.0023	0.9991	0.9927	0.9985	0.9952	0.9951	0.9972	0.9982

**TM-21 Extrapolation of Luminous Flux data for tested units**  
**DATASET 38 (LUXEON K): Ts = Tair = 105°C, If = 350mA**  
**Ts ≥ 103°C and Tair ≥ 100°C in compliance with LM-80-08**

	CCT (t=0)	alpha	B	L70
A1	2955K	-1.1787e-06	1.0170	-316,912
A2	2973K	-1.4282e-06	1.0082	-255,438
A3	2929K	-1.1667e-06	0.9969	-303,024
A4	2892K	-1.1358e-06	1.0040	-317,543
A5	2866K	-6.9573e-07	0.9755	-477,040
A6	2912K	-1.1634e-06	0.9939	-301,332
A7	2956K	-1.1783e-06	0.9966	-299,835
A8	2953K	-1.4162e-06	0.9856	-241,639
A9	2922K	-1.5884e-06	0.9901	-218,261
A10	2878K	-1.8589e-06	0.9916	-187,350
A21	2919K	-9.4060e-07	0.9960	-374,951
A22	2874K	-5.8337e-07	0.9873	-589,571
A23	2930K	-1.0474e-06	0.9918	-332,648
A24	2972K	-1.1128e-06	0.9920	-313,357
A25	2953K	-9.9835e-07	1.0197	-376,848
A26	3007K	-5.8497e-07	1.0192	-642,287
A27	2910K	-8.9667e-07	0.9964	-393,740
A28	2964K	-7.2556e-07	0.9989	-490,099
A29	2867K	-7.6695e-07	0.9940	-457,227
A30	2901K	-7.3497e-07	0.9940	-477,151
A41	2975K	-1.2598e-06	0.9869	-272,620
A42	2982K	-1.7831e-07	1.0011	-2,006,727
A43	2965K	-3.0911e-07	0.9953	-1,138,587
A44	2969K	-4.7147e-07	0.9895	-734,220
A45	2967K	-6.7761e-07	0.9911	-513,162
ave	2935K	-9.6484e-07	0.9965	-366,051

**u' data for tested units**  
**DATASET 38 (LUXEON K): Ts = Tair = 105°C, If = 350mA**  
**Ts ≥ 103°C and Tair ≥ 100°C in compliance with LM-80-08**

	CCT (t=0)	0hrs	24hrs	168hrs	500hrs	1000hrs	2000hrs	3000hrs	4000hrs	5000hrs	6000hrs	7000hrs	8000hrs	9000hrs	10000hrs
A1	2955K	0.2519	0.2511	0.2508	0.2506	0.2501	0.2497	0.2494	0.2495	0.2494	0.2493	0.2493	0.2494	0.2494	0.2502
A2	2973K	0.2508	0.2499	0.2496	0.2495	0.2490	0.2485	0.2483	0.2484	0.2482	0.2482	0.2482	0.2483	0.2483	0.2491
A3	2929K	0.2527	0.2518	0.2515	0.2513	0.2507	0.2504	0.2501	0.2502	0.2500	0.2500	0.2500	0.2501	0.2501	0.2509
A4	2892K	0.2542	0.2533	0.2530	0.2527	0.2523	0.2520	0.2516	0.2518	0.2517	0.2516	0.2517	0.2517	0.2518	0.2526
A5	2866K	0.2555	0.2541	0.2537	0.2535	0.2530	0.2528	0.2526	0.2527	0.2527	0.2526	0.2526	0.2527	0.2527	0.2536
A6	2912K	0.2533	0.2525	0.2522	0.2519	0.2514	0.2510	0.2507	0.2508	0.2507	0.2506	0.2507	0.2508	0.2508	0.2516
A7	2956K	0.2513	0.2504	0.2501	0.2498	0.2494	0.2491	0.2488	0.2490	0.2489	0.2488	0.2488	0.2489	0.2489	0.2498
A8	2953K	0.2517	0.2508	0.2506	0.2503	0.2499	0.2495	0.2492	0.2494	0.2492	0.2491	0.2492	0.2492	0.2493	0.2500
A9	2922K	0.2530	0.2521	0.2518	0.2515	0.2511	0.2508	0.2506	0.2507	0.2506	0.2504	0.2505	0.2506	0.2507	0.2515
A10	2878K	0.2551	0.2542	0.2539	0.2536	0.2533	0.2528	0.2526	0.2528	0.2527	0.2526	0.2527	0.2527	0.2528	0.2537
A21	2919K	0.2533	0.2524	0.2521	0.2520	0.2514	0.2510	0.2506	0.2507	0.2506	0.2504	0.2505	0.2505	0.2505	0.2513
A22	2874K	0.2556	0.2547	0.2544	0.2542	0.2536	0.2532	0.2529	0.2530	0.2529	0.2528	0.2528	0.2529	0.2529	0.2537
A23	2930K	0.2527	0.2518	0.2515	0.2513	0.2508	0.2504	0.2501	0.2502	0.2501	0.2501	0.2500	0.2501	0.2501	0.2509
A24	2972K	0.2509	0.2501	0.2498	0.2496	0.2490	0.2486	0.2484	0.2485	0.2484	0.2483	0.2483	0.2484	0.2484	0.2492
A25	2953K	0.2520	0.2512	0.2509	0.2506	0.2501	0.2497	0.2494	0.2495	0.2494	0.2493	0.2494	0.2494	0.2494	0.2502
A26	3007K	0.2498	0.2489	0.2486	0.2484	0.2479	0.2475	0.2472	0.2473	0.2472	0.2472	0.2472	0.2472	0.2472	0.2480
A27	2910K	0.2536	0.2528	0.2525	0.2521	0.2517	0.2514	0.2510	0.2511	0.2510	0.2509	0.2509	0.2509	0.2510	0.2518
A28	2964K	0.2513	0.2504	0.2501	0.2498	0.2492	0.2488	0.2486	0.2487	0.2486	0.2485	0.2485	0.2486	0.2486	0.2493
A29	2867K	0.2559	0.2550	0.2548	0.2545	0.2538	0.2533	0.2530	0.2531	0.2530	0.2529	0.2529	0.2530	0.2530	0.2538
A30	2901K	0.2545	0.2536	0.2533	0.2531	0.2524	0.2518	0.2515	0.2516	0.2516	0.2515	0.2515	0.2516	0.2517	0.2526
A41	2975K	0.2514	0.2505	0.2503	0.2500	0.2494	0.2491	0.2488	0.2489	0.2489	0.2489	0.2489	0.2490	0.2490	0.2499
A42	2982K	0.2516	0.2507	0.2504	0.2501	0.2496	0.2492	0.2490	0.2491	0.2490	0.2491	0.2491	0.2492	0.2493	0.2501
A43	2965K	0.2520	0.2512	0.2509	0.2505	0.2500	0.2496	0.2493	0.2494	0.2494	0.2494	0.2494	0.2495	0.2496	0.2505
A44	2969K	0.2517	0.2508	0.2505	0.2502	0.2496	0.2493	0.2491	0.2492	0.2491	0.2491	0.2492	0.2492	0.2493	0.2502
A45	2967K	0.2517	0.2509	0.2505	0.2501	0.2496	0.2493	0.2491	0.2492	0.2492	0.2492	0.2492	0.2493	0.2493	0.2502

**v' data for tested units**  
**DATASET 38 (LUXEON K): Ts = Tair = 105°C, If = 350mA**  
**Ts ≥ 103°C and Tair ≥ 100°C in compliance with LM-80-08**

	CCT (±0)	0hrs	24hrs	168hrs	500hrs	1000hrs	2000hrs	3000hrs	4000hrs	5000hrs	6000hrs	7000hrs	8000hrs	9000hrs	10000hrs
A1	2955K	0.5237	0.5234	0.5235	0.5237	0.5232	0.5233	0.5230	0.5231	0.5232	0.5231	0.5232	0.5233	0.5233	0.5243
A2	2973K	0.5250	0.5247	0.5247	0.5250	0.5246	0.5245	0.5242	0.5244	0.5243	0.5243	0.5244	0.5245	0.5245	0.5255
A3	2929K	0.5247	0.5245	0.5246	0.5246	0.5238	0.5240	0.5239	0.5240	0.5240	0.5240	0.5240	0.5241	0.5241	0.5251
A4	2892K	0.5251	0.5248	0.5249	0.5249	0.5246	0.5249	0.5246	0.5248	0.5247	0.5247	0.5248	0.5249	0.5249	0.5259
A5	2866K	0.5246	0.5242	0.5243	0.5245	0.5241	0.5241	0.5238	0.5240	0.5240	0.5240	0.5241	0.5242	0.5242	0.5252
A6	2912K	0.5252	0.5249	0.5250	0.5249	0.5246	0.5247	0.5245	0.5246	0.5246	0.5246	0.5246	0.5248	0.5248	0.5258
A7	2956K	0.5257	0.5254	0.5254	0.5255	0.5252	0.5254	0.5251	0.5252	0.5252	0.5252	0.5252	0.5254	0.5254	0.5263
A8	2953K	0.5245	0.5242	0.5244	0.5243	0.5239	0.5240	0.5237	0.5239	0.5239	0.5239	0.5239	0.5241	0.5241	0.5251
A9	2922K	0.5248	0.5245	0.5246	0.5246	0.5242	0.5244	0.5241	0.5243	0.5242	0.5242	0.5243	0.5244	0.5244	0.5254
A10	2878K	0.5237	0.5234	0.5235	0.5237	0.5235	0.5230	0.5228	0.5230	0.5230	0.5229	0.5230	0.5232	0.5231	0.5242
A21	2919K	0.5239	0.5235	0.5236	0.5237	0.5230	0.5232	0.5229	0.5231	0.5231	0.5231	0.5231	0.5233	0.5232	0.5242
A22	2874K	0.5225	0.5222	0.5222	0.5224	0.5218	0.5217	0.5215	0.5216	0.5216	0.5216	0.5217	0.5218	0.5218	0.5229
A23	2930K	0.5245	0.5242	0.5243	0.5243	0.5238	0.5238	0.5235	0.5237	0.5237	0.5237	0.5237	0.5239	0.5239	0.5248
A24	2972K	0.5244	0.5240	0.5242	0.5241	0.5234	0.5235	0.5232	0.5234	0.5233	0.5233	0.5233	0.5235	0.5235	0.5245
A25	2953K	0.5232	0.5228	0.5229	0.5229	0.5222	0.5223	0.5220	0.5222	0.5222	0.5222	0.5222	0.5223	0.5223	0.5233
A26	3007K	0.5233	0.5230	0.5231	0.5230	0.5224	0.5224	0.5221	0.5223	0.5222	0.5222	0.5222	0.5224	0.5223	0.5234
A27	2910K	0.5242	0.5239	0.5240	0.5239	0.5232	0.5234	0.5233	0.5234	0.5234	0.5233	0.5234	0.5235	0.5235	0.5245
A28	2964K	0.5245	0.5242	0.5243	0.5241	0.5237	0.5234	0.5236	0.5236	0.5236	0.5236	0.5236	0.5238	0.5237	0.5247
A29	2867K	0.5225	0.5222	0.5223	0.5222	0.5215	0.5216	0.5213	0.5214	0.5214	0.5214	0.5214	0.5216	0.5216	0.5226
A30	2901K	0.5221	0.5217	0.5219	0.5219	0.5214	0.5214	0.5210	0.5212	0.5212	0.5212	0.5212	0.5214	0.5213	0.5224
A41	2975K	0.5219	0.5214	0.5216	0.5215	0.5206	0.5205	0.5203	0.5204	0.5203	0.5203	0.5204	0.5206	0.5206	0.5218
A42	2982K	0.5204	0.5199	0.5201	0.5200	0.5194	0.5193	0.5190	0.5191	0.5190	0.5191	0.5191	0.5193	0.5194	0.5206
A43	2965K	0.5213	0.5209	0.5210	0.5206	0.5199	0.5200	0.5197	0.5199	0.5198	0.5199	0.5200	0.5202	0.5202	0.5214
A44	2969K	0.5221	0.5217	0.5218	0.5215	0.5207	0.5207	0.5204	0.5206	0.5205	0.5205	0.5206	0.5208	0.5208	0.5219
A45	2967K	0.5223	0.5219	0.5220	0.5217	0.5215	0.5214	0.5211	0.5214	0.5213	0.5213	0.5213	0.5215	0.5215	0.5226

**Delta u'v' data for tested units**  
**DATASET 38 (LUXEON K): Ts = Tair = 105°C, If = 350mA**  
**Ts ≥ 103°C and Tair ≥ 100°C in compliance with LM-80-08**

	CCT (±0)	0hrs	24hrs	168hrs	500hrs	1000hrs	2000hrs	3000hrs	4000hrs	5000hrs	6000hrs	7000hrs	8000hrs	9000hrs	10000hrs
A1	2955K	0.0000	0.0009	0.0011	0.0013	0.0019	0.0022	0.0026	0.0025	0.0025	0.0027	0.0026	0.0025	0.0025	0.0018
A2	2973K	0.0000	0.0009	0.0012	0.0013	0.0018	0.0024	0.0026	0.0025	0.0027	0.0027	0.0027	0.0026	0.0025	0.0018
A3	2929K	0.0000	0.0009	0.0012	0.0014	0.0022	0.0024	0.0027	0.0026	0.0026	0.0028	0.0028	0.0027	0.0027	0.0018
A4	2892K	0.0000	0.0009	0.0012	0.0015	0.0020	0.0022	0.0026	0.0024	0.0025	0.0026	0.0025	0.0025	0.0024	0.0018
A5	2866K	0.0000	0.0015	0.0018	0.0020	0.0025	0.0027	0.0030	0.0029	0.0029	0.0030	0.0029	0.0028	0.0028	0.0020
A6	2912K	0.0000	0.0009	0.0011	0.0014	0.0020	0.0024	0.0027	0.0026	0.0027	0.0028	0.0027	0.0025	0.0025	0.0018
A7	2956K	0.0000	0.0009	0.0012	0.0015	0.0020	0.0022	0.0026	0.0024	0.0025	0.0025	0.0025	0.0024	0.0024	0.0016
A8	2953K	0.0000	0.0009	0.0011	0.0014	0.0019	0.0023	0.0026	0.0024	0.0026	0.0027	0.0026	0.0025	0.0024	0.0018
A9	2922K	0.0000	0.0009	0.0012	0.0015	0.0020	0.0022	0.0025	0.0024	0.0025	0.0027	0.0025	0.0024	0.0023	0.0016
A10	2878K	0.0000	0.0009	0.0012	0.0015	0.0018	0.0024	0.0027	0.0024	0.0025	0.0026	0.0025	0.0025	0.0024	0.0015
A21	2919K	0.0000	0.0010	0.0012	0.0013	0.0021	0.0024	0.0029	0.0027	0.0028	0.0030	0.0029	0.0029	0.0029	0.0020
A22	2874K	0.0000	0.0009	0.0012	0.0014	0.0021	0.0025	0.0029	0.0028	0.0028	0.0029	0.0029	0.0028	0.0028	0.0019
A23	2930K	0.0000	0.0009	0.0012	0.0014	0.0020	0.0024	0.0028	0.0026	0.0027	0.0027	0.0028	0.0027	0.0027	0.0018
A24	2972K	0.0000	0.0009	0.0011	0.0013	0.0021	0.0025	0.0028	0.0026	0.0027	0.0028	0.0028	0.0027	0.0027	0.0017
A25	2953K	0.0000	0.0009	0.0011	0.0014	0.0021	0.0025	0.0029	0.0027	0.0028	0.0029	0.0028	0.0028	0.0028	0.0018
A26	3007K	0.0000	0.0009	0.0012	0.0014	0.0021	0.0025	0.0029	0.0027	0.0028	0.0028	0.0028	0.0028	0.0028	0.0018
A27	2910K	0.0000	0.0009	0.0011	0.0015	0.0021	0.0023	0.0028	0.0026	0.0027	0.0028	0.0028	0.0028	0.0027	0.0018
A28	2964K	0.0000	0.0009	0.0012	0.0016	0.0022	0.0026	0.0029	0.0028	0.0028	0.0029	0.0029	0.0028	0.0028	0.0020
A29	2867K	0.0000	0.0009	0.0011	0.0014	0.0023	0.0028	0.0031	0.0030	0.0031	0.0032	0.0032	0.0030	0.0030	0.0021
A30	2901K	0.0000	0.0010	0.0012	0.0014	0.0022	0.0028	0.0032	0.0030	0.0030	0.0031	0.0031	0.0030	0.0029	0.0019
A41	2975K	0.0000	0.0010	0.0011	0.0015	0.0024	0.0027	0.0031	0.0029	0.0030	0.0030	0.0029	0.0027	0.0027	0.0015
A42	2982K	0.0000	0.0010	0.0012	0.0016	0.0022	0.0026	0.0030	0.0028	0.0030	0.0028	0.0028	0.0026	0.0025	0.0015
A43	2965K	0.0000	0.0009	0.0011	0.0017	0.0024	0.0027	0.0031	0.0030	0.0030	0.0030	0.0029	0.0027	0.0026	0.0015
A44	2969K	0.0000	0.0010	0.0012	0.0016	0.0025	0.0028	0.0031	0.0029	0.0031	0.0031	0.0029	0.0028	0.0027	0.0015
A45	2967K	0.0000	0.0009	0.0012	0.0017	0.0022	0.0026	0.0029	0.0027	0.0027	0.0027	0.0027	0.0025	0.0025	0.0015

Forward Voltage [V] data for tested units  
**DATASET 38 (LUXEON K): Ts = Tair = 105°C, If = 350mA**  
**Ts ≥ 103°C and Tair ≥ 100°C in compliance with LM-80-08**

	CCT (t=0)	0hrs	24hrs	168hrs	500hrs	1000hrs	2000hrs	3000hrs	4000hrs	5000hrs	6000hrs	7000hrs	8000hrs	9000hrs	10000hrs
A1	2955K	2.960	2.954	2.953	2.963	2.977	3.182	3.217	3.262	3.247	3.246	3.251	3.246	3.249	3.253
A2	2973K	3.008	3.003	3.000	3.014	3.062	3.195	3.211	3.243	3.228	3.224	3.224	3.215	3.215	3.219
A3	2929K	2.984	2.978	2.979	2.985	3.000	3.146	3.197	3.238	3.223	3.222	3.223	3.217	3.217	3.225
A4	2892K	3.043	3.038	3.037	3.045	3.066	3.296	3.334	3.381	3.362	3.360	3.359	3.351	3.347	3.352
A5	2866K	3.146	3.138	3.109	3.104	3.112	3.143	3.156	3.185	3.175	3.178	3.180	3.173	3.175	3.177
A6	2912K	3.008	3.007	3.001	3.010	3.033	3.199	3.226	3.265	3.245	3.245	3.243	3.239	3.236	3.238
A7	2956K	3.004	3.002	3.001	3.008	3.032	3.236	3.268	3.316	3.299	3.299	3.299	3.293	3.290	3.297
A8	2953K	2.973	2.969	2.963	2.976	3.007	3.184	3.201	3.240	3.218	3.218	3.219	3.215	3.212	3.211
A9	2922K	2.954	2.950	2.944	2.957	2.977	3.141	3.168	3.206	3.189	3.189	3.187	3.182	3.183	3.183
A10	2878K	2.993	2.988	2.986	3.004	3.088	3.183	3.200	3.226	3.214	3.212	3.211	3.206	3.204	3.205
A21	2919K	2.985	2.984	2.980	2.988	3.000	3.147	3.207	3.252	3.235	3.234	3.235	3.231	3.234	3.236
A22	2874K	3.129	3.117	3.094	3.090	3.097	3.126	3.139	3.171	3.161	3.160	3.161	3.153	3.156	3.158
A23	2930K	2.994	2.992	2.987	3.003	3.062	3.155	3.175	3.209	3.194	3.190	3.189	3.185	3.182	3.184
A24	2972K	3.006	3.005	2.996	3.014	3.048	3.130	3.138	3.161	3.150	3.149	3.148	3.144	3.145	3.146
A25	2953K	2.997	2.997	2.993	3.004	3.039	3.293	3.323	3.374	3.356	3.354	3.356	3.346	3.346	3.351
A26	3007K	2.999	2.995	2.994	3.007	3.040	3.295	3.327	3.374	3.359	3.356	3.358	3.347	3.349	3.350
A27	2910K	2.958	2.955	2.954	2.958	2.968	3.076	3.170	3.209	3.192	3.192	3.196	3.189	3.191	3.194
A28	2964K	3.007	3.002	2.998	3.007	3.031	3.226	3.254	3.294	3.276	3.274	3.273	3.264	3.266	3.264
A29	2867K	3.010	3.008	3.004	3.012	3.033	3.154	3.174	3.210	3.195	3.197	3.197	3.191	3.192	3.194
A30	2901K	3.006	3.004	3.003	3.011	3.047	3.214	3.237	3.278	3.259	3.262	3.262	3.258	3.257	3.258
A41	2975K	3.129	3.099	3.083	3.086	3.087	3.097	3.097	3.115	3.108	3.107	3.109	3.101	3.103	3.107
A42	2982K	2.966	2.958	2.957	2.975	3.026	3.147	3.152	3.181	3.164	3.163	3.165	3.154	3.154	3.161
A43	2965K	2.964	2.963	2.958	2.968	2.989	3.122	3.148	3.183	3.168	3.166	3.168	3.159	3.163	3.170
A44	2969K	3.125	3.091	3.077	3.080	3.081	3.093	3.096	3.110	3.102	3.101	3.103	3.100	3.102	3.104
A45	2967K	3.024	3.025	3.020	3.034	3.103	3.217	3.243	3.285	3.269	3.267	3.270	3.259	3.263	3.271



**TM-21 Extrapolation of Luminous Flux data for tested units**  
**DATASET 10 (LUXEON K): Ts = Tair = 120°C, If = 350mA**  
**Ts ≥ 118°C and Tair ≥ 115°C in compliance with LM-80-08**

	CCT (t=0)	alpha	B	L70
A1	2895K	4.5556e-06	1.0163	81,837
A2	2954K	4.0298e-06	1.0059	89,958
A3	3004K	2.9612e-06	0.9940	118,406
A4	2991K	3.6481e-06	1.0082	100,009
A5	3009K	2.6542e-06	0.9951	132,549
A6	2963K	3.0475e-06	1.0031	118,063
A7	2913K	3.8952e-06	1.0082	93,654
A8	2933K	4.2913e-06	1.0130	86,129
A9	2984K	3.5223e-06	1.0059	102,926
A10	3008K	3.3168e-06	0.9992	107,301
A21	3040K	2.4865e-06	0.9904	139,570
A22	3029K	2.7295e-06	0.9920	127,742
A23	3016K	3.2129e-06	1.0060	112,872
A24	2983K	2.6741e-06	0.9882	128,959
A25	2974K	3.0612e-06	1.0176	122,203
A26	3096K	2.6830e-06	1.0039	134,390
A27	2987K	3.2098e-06	0.9995	110,970
A28	3042K	3.0287e-06	1.0098	120,993
A29	3019K	3.0212e-06	1.0048	119,659
A30	3000K	4.1840e-06	0.9887	82,536
A41	3086K	7.8157e-06	1.0250	48,789
A42	3065K	6.7838e-06	1.0022	52,901
A43	2986K	7.2751e-06	0.9952	48,359
A44	3058K	6.7740e-06	1.0087	53,931
A45	3061K	6.6433e-06	1.0086	54,972
ave	3003K	4.0470e-06	1.0035	88,998

**u' data for tested units**  
**DATASET 10 (LUXEON K): Ts = Tair = 120°C, If = 350mA**  
**Ts ≥ 118°C and Tair ≥ 115°C in compliance with LM-80-08**

	CCT (t=0)	0hrs	24hrs	168hrs	500hrs	1000hrs	2000hrs	3000hrs	4000hrs	5000hrs	6000hrs	7000hrs	8000hrs	9000hrs	10000hrs
A1	2895K	0.2545	0.2537	0.2535	0.2531	0.2526	0.2523	0.2523	0.2524	0.2529	0.2536	0.2539	0.2543	0.2546	0.2551
A2	2954K	0.2520	0.2513	0.2510	0.2507	0.2503	0.2500	0.2500	0.2501	0.2507	0.2511	0.2515	0.2519	0.2522	0.2525
A3	3004K	0.2504	0.2497	0.2493	0.2490	0.2486	0.2482	0.2482	0.2483	0.2487	0.2492	0.2495	0.2498	0.2500	0.2502
A4	2991K	0.2511	0.2505	0.2501	0.2497	0.2490	0.2488	0.2488	0.2489	0.2494	0.2500	0.2504	0.2506	0.2509	0.2510
A5	3009K	0.2495	0.2488	0.2485	0.2481	0.2476	0.2474	0.2474	0.2474	0.2479	0.2483	0.2486	0.2489	0.2490	0.2492
A6	2963K	0.2514	0.2507	0.2504	0.2500	0.2496	0.2493	0.2494	0.2494	0.2498	0.2502	0.2505	0.2508	0.2510	0.2513
A7	2913K	0.2541	0.2534	0.2530	0.2527	0.2522	0.2520	0.2520	0.2521	0.2526	0.2531	0.2535	0.2539	0.2541	0.2546
A8	2933K	0.2529	0.2522	0.2518	0.2514	0.2511	0.2509	0.2509	0.2509	0.2514	0.2519	0.2522	0.2525	0.2528	0.2533
A9	2984K	0.2504	0.2496	0.2494	0.2490	0.2485	0.2484	0.2484	0.2484	0.2488	0.2493	0.2496	0.2499	0.2502	0.2504
A10	3008K	0.2497	0.2489	0.2486	0.2484	0.2479	0.2476	0.2476	0.2477	0.2482	0.2486	0.2489	0.2492	0.2494	0.2496
A21	3040K	0.2486	0.2479	0.2476	0.2472	0.2466	0.2464	0.2463	0.2464	0.2468	0.2472	0.2475	0.2477	0.2479	0.2480
A22	3029K	0.2490	0.2482	0.2480	0.2475	0.2470	0.2468	0.2467	0.2467	0.2472	0.2476	0.2479	0.2481	0.2483	0.2484
A23	3016K	0.2495	0.2487	0.2485	0.2480	0.2474	0.2472	0.2471	0.2472	0.2476	0.2481	0.2484	0.2487	0.2488	0.2489
A24	2983K	0.2512	0.2504	0.2503	0.2496	0.2491	0.2489	0.2488	0.2489	0.2494	0.2499	0.2502	0.2505	0.2506	0.2507
A25	2974K	0.2511	0.2504	0.2501	0.2497	0.2491	0.2490	0.2489	0.2490	0.2494	0.2498	0.2501	0.2504	0.2505	0.2507
A26	3096K	0.2465	0.2458	0.2456	0.2452	0.2447	0.2445	0.2445	0.2445	0.2449	0.2453	0.2457	0.2459	0.2461	0.2463
A27	2987K	0.2509	0.2502	0.2500	0.2494	0.2489	0.2487	0.2487	0.2486	0.2491	0.2495	0.2498	0.2500	0.2501	0.2503
A28	3042K	0.2481	0.2474	0.2472	0.2467	0.2460	0.2458	0.2458	0.2458	0.2461	0.2466	0.2468	0.2470	0.2471	0.2473
A29	3019K	0.2495	0.2487	0.2485	0.2481	0.2475	0.2473	0.2472	0.2472	0.2477	0.2481	0.2484	0.2487	0.2489	0.2490
A30	3000K	0.2503	0.2491	0.2487	0.2483	0.2481	0.2479	0.2478	0.2477	0.2482	0.2487	0.2489	0.2492	0.2494	0.2498
A41	3086K	0.2484	0.2477	0.2474	0.2468	0.2462	0.2461	0.2462	0.2463	0.2471	0.2481	0.2487	0.2492	0.2497	0.2503
A42	3065K	0.2486	0.2479	0.2476	0.2472	0.2468	0.2466	0.2468	0.2469	0.2476	0.2485	0.2491	0.2496	0.2501	0.2507
A43	2986K	0.2518	0.2511	0.2507	0.2501	0.2498	0.2497	0.2498	0.2499	0.2507	0.2518	0.2524	0.2530	0.2534	0.2541
A44	3058K	0.2489	0.2483	0.2480	0.2475	0.2470	0.2469	0.2469	0.2471	0.2479	0.2489	0.2494	0.2500	0.2505	0.2511
A45	3061K	0.2483	0.2476	0.2473	0.2467	0.2463	0.2462	0.2463	0.2464	0.2471	0.2480	0.2486	0.2490	0.2495	0.2501





**Forward Voltage [V] data for tested units**  
**DATASET 10 (LUXEON K): Ts = Tair = 120°C, If = 350mA**  
**Ts ≥ 118°C and Tair ≥ 115°C in compliance with LM-80-08**

	CCT (t=0)	0hrs	24hrs	168hrs	500hrs	1000hrs	2000hrs	3000hrs	4000hrs	5000hrs	6000hrs	7000hrs	8000hrs	9000hrs	10000hrs
A1	2895K	2.947	2.949	2.955	3.006	3.235	3.269	3.300	3.295	3.297	3.288	3.305	3.290	3.290	3.287
A2	2954K	2.957	2.964	2.960	3.118	3.208	3.229	3.240	3.234	3.237	3.234	3.238	3.224	3.223	3.217
A3	3004K	2.977	2.989	2.994	3.072	3.248	3.291	3.306	3.285	3.277	3.255	3.260	3.253	3.248	3.247
A4	2991K	3.038	3.047	3.046	3.107	3.372	3.409	3.429	3.417	3.411	3.397	3.398	3.378	3.379	3.367
A5	3009K	2.981	2.983	2.990	3.046	3.216	3.254	3.276	3.271	3.271	3.263	3.269	3.253	3.256	3.246
A6	2963K	2.955	2.955	2.964	3.002	3.191	3.226	3.238	3.247	3.250	3.247	3.249	3.247	3.245	3.233
A7	2913K	2.945	2.948	2.951	3.104	3.205	3.223	3.246	3.237	3.237	3.235	3.243	3.230	3.228	3.227
A8	2933K	2.978	2.985	2.996	3.185	3.227	3.253	3.266	3.258	3.259	3.259	3.265	3.260	3.244	3.256
A9	2984K	3.008	3.003	3.010	3.095	3.254	3.277	3.288	3.288	3.283	3.274	3.274	3.255	3.250	3.249
A10	3008K	2.974	2.976	2.978	3.028	3.250	3.287	3.318	3.308	3.311	3.307	3.308	3.291	3.283	3.272
A21	3040K	2.980	2.982	2.989	3.031	3.234	3.275	3.302	3.301	3.300	3.298	3.291	3.272	3.266	3.265
A22	3029K	2.998	3.002	3.003	3.065	3.188	3.211	3.224	3.215	3.214	3.216	3.221	3.204	3.215	3.202
A23	3016K	3.023	3.037	3.041	3.111	3.358	3.404	3.438	3.418	3.411	3.390	3.388	3.374	3.368	3.371
A24	2983K	2.970	2.972	2.976	3.059	3.182	3.208	3.218	3.210	3.206	3.203	3.201	3.194	3.191	3.183
A25	2974K	2.995	2.998	3.000	3.078	3.347	3.392	3.416	3.411	3.407	3.405	3.382	3.378	3.376	3.370
A26	3096K	2.969	2.971	2.976	3.152	3.201	3.220	3.236	3.225	3.231	3.230	3.234	3.222	3.221	3.220
A27	2987K	2.987	2.981	2.996	3.072	3.249	3.266	3.280	3.272	3.260	3.252	3.245	3.238	3.229	3.225
A28	3042K	3.025	3.033	3.034	3.096	3.344	3.379	3.397	3.380	3.376	3.362	3.364	3.355	3.350	3.342
A29	3019K	3.024	3.026	3.039	3.085	3.330	3.364	3.370	3.355	3.345	3.340	3.341	3.332	3.326	3.323
A30	3000K	3.135	3.132	3.107	3.152	3.171	3.193	3.209	3.205	3.201	3.183	3.196	3.186	3.178	3.182
A41	3086K	2.993	2.994	2.999	3.185	3.380	3.441	3.478	3.477	3.478	3.457	3.460	3.447	3.439	3.427
A42	3065K	3.152	3.124	3.114	3.130	3.135	3.136	3.158	3.157	3.158	3.158	3.155	3.155	3.149	3.153
A43	2986K	3.028	3.025	3.024	3.111	3.145	3.170	3.188	3.188	3.185	3.182	3.169	3.167	3.158	3.165
A44	3058K	2.939	2.940	2.944	3.047	3.196	3.233	3.261	3.253	3.250	3.243	3.247	3.230	3.222	3.220
A45	3061K	3.111	3.093	3.082	3.098	3.108	3.118	3.118	3.120	3.117	3.117	3.130	3.120	3.119	3.120



**TM-21 Extrapolation of Luminous Flux data for tested units**  
**DATASET 46 (LUXEON K): Ts = Tair = 55°C, If = 500mA**  
**Ts ≥ 53°C and Tair ≥ 50°C in compliance with LM-80-08**

	CCT (t=0)	alpha	B	L70
B11	2973K	-1.6935e-06	0.9745	-195,393
B12	3005K	-1.5675e-06	0.9761	-212,091
B13	2998K	-1.5993e-06	0.9732	-206,040
B14	2987K	-2.3429e-06	0.9686	-138,619
B15	2956K	-1.8918e-06	0.9742	-174,711
B16	2981K	-2.2868e-06	0.9686	-142,030
B17	2946K	-2.1156e-06	0.9726	-155,463
B18	2907K	-2.0709e-06	0.9689	-156,992
B19	2925K	-2.0280e-06	0.9761	-163,953
B20	2990K	-2.1816e-06	0.9704	-149,737
B31	3043K	-2.2027e-07	0.9892	-1,569,868
B32	3012K	-2.1009e-07	0.9824	-1,613,053
B33	2959K	-2.7781e-07	0.9770	-1,200,190
B34	3010K	-1.1069e-07	0.9944	-3,171,359
B35	2998K	5.3743e-08	0.9858	6,371,143
B36	2995K	-1.1680e-06	0.9776	-285,997
B37	3019K	-1.2314e-06	0.9770	-270,775
B38	2974K	-1.3173e-06	0.9799	-255,379
B39	3023K	-1.1267e-06	0.9808	-299,332
B40	3029K	-1.5202e-06	0.9696	-214,325
B51	2966K	-8.5840e-08	0.9833	-3,958,486
B52	2980K	-1.9998e-07	0.9886	-1,726,032
B53	2978K	-8.4158e-07	0.9814	-401,472
B54	2906K	-9.1830e-07	0.9806	-367,088
B55	2981K	-9.1255e-07	0.9790	-367,561
ave	2981K	-1.1943e-06	0.9780	-280,013

**u' data for tested units**  
**DATASET 46 (LUXEON K): Ts = Tair = 55°C, If = 500mA**  
**Ts ≥ 53°C and Tair ≥ 50°C in compliance with LM-80-08**

	CCT (t=0)	0hrs	24hrs	168hrs	500hrs	1000hrs	2000hrs	3000hrs	4000hrs	5000hrs	6000hrs	7000hrs	8000hrs	9000hrs	10000hrs
B11	2973K	0.2511	0.2501	0.2497	0.2494	0.2491	0.2488	0.2483	0.2481	0.2480	0.2479	0.2479	0.2480	0.2480	0.2492
B12	3005K	0.2497	0.2488	0.2483	0.2480	0.2478	0.2475	0.2471	0.2469	0.2469	0.2467	0.2467	0.2469	0.2468	0.2479
B13	2998K	0.2504	0.2495	0.2490	0.2487	0.2485	0.2481	0.2476	0.2475	0.2474	0.2472	0.2473	0.2474	0.2474	0.2485
B14	2987K	0.2508	0.2498	0.2494	0.2491	0.2489	0.2484	0.2480	0.2478	0.2477	0.2476	0.2476	0.2478	0.2478	0.2488
B15	2956K	0.2521	0.2511	0.2506	0.2503	0.2501	0.2497	0.2493	0.2491	0.2490	0.2488	0.2488	0.2490	0.2490	0.2502
B16	2981K	0.2509	0.2499	0.2494	0.2491	0.2489	0.2485	0.2481	0.2480	0.2479	0.2477	0.2477	0.2479	0.2479	0.2490
B17	2946K	0.2525	0.2515	0.2510	0.2508	0.2505	0.2501	0.2497	0.2496	0.2494	0.2493	0.2493	0.2495	0.2495	0.2506
B18	2907K	0.2538	0.2528	0.2524	0.2521	0.2519	0.2516	0.2511	0.2509	0.2508	0.2506	0.2506	0.2507	0.2507	0.2518
B19	2925K	0.2530	0.2520	0.2516	0.2513	0.2511	0.2508	0.2502	0.2501	0.2500	0.2498	0.2499	0.2500	0.2499	0.2510
B20	2990K	0.2508	0.2498	0.2494	0.2491	0.2489	0.2486	0.2481	0.2479	0.2478	0.2476	0.2477	0.2478	0.2478	0.2488
B31	3043K	0.2490	0.2479	0.2475	0.2472	0.2470	0.2465	0.2460	0.2460	0.2459	0.2457	0.2458	0.2460	0.2460	0.2472
B32	3012K	0.2500	0.2490	0.2485	0.2482	0.2480	0.2475	0.2471	0.2470	0.2469	0.2468	0.2469	0.2471	0.2471	0.2485
B33	2959K	0.2527	0.2516	0.2512	0.2508	0.2505	0.2502	0.2498	0.2497	0.2496	0.2495	0.2496	0.2498	0.2498	0.2511
B34	3010K	0.2493	0.2484	0.2479	0.2476	0.2474	0.2469	0.2464	0.2463	0.2462	0.2461	0.2461	0.2463	0.2463	0.2475
B35	2998K	0.2505	0.2495	0.2491	0.2488	0.2485	0.2482	0.2478	0.2476	0.2476	0.2475	0.2475	0.2477	0.2477	0.2489
B36	2995K	0.2515	0.2504	0.2500	0.2496	0.2494	0.2490	0.2485	0.2484	0.2484	0.2482	0.2483	0.2484	0.2484	0.2497
B37	3019K	0.2500	0.2490	0.2486	0.2482	0.2480	0.2476	0.2471	0.2471	0.2470	0.2468	0.2469	0.2471	0.2470	0.2482
B38	2974K	0.2515	0.2505	0.2500	0.2496	0.2494	0.2490	0.2487	0.2486	0.2485	0.2484	0.2484	0.2486	0.2486	0.2497
B39	3023K	0.2500	0.2490	0.2486	0.2483	0.2480	0.2477	0.2473	0.2471	0.2470	0.2469	0.2469	0.2471	0.2471	0.2482
B40	3029K	0.2494	0.2484	0.2479	0.2476	0.2474	0.2471	0.2465	0.2464	0.2463	0.2462	0.2462	0.2464	0.2464	0.2475
B51	2966K	0.2516	0.2506	0.2501	0.2499	0.2496	0.2493	0.2487	0.2486	0.2485	0.2483	0.2483	0.2485	0.2485	0.2495
B52	2980K	0.2509	0.2499	0.2495	0.2492	0.2490	0.2487	0.2481	0.2480	0.2479	0.2477	0.2478	0.2479	0.2479	0.2489
B53	2978K	0.2517	0.2507	0.2503	0.2500	0.2498	0.2494	0.2490	0.2488	0.2487	0.2486	0.2486	0.2488	0.2487	0.2498
B54	2906K	0.2541	0.2531	0.2526	0.2524	0.2522	0.2519	0.2513	0.2511	0.2510	0.2508	0.2508	0.2510	0.2509	0.2520
B55	2981K	0.2511	0.2501	0.2496	0.2494	0.2491	0.2489	0.2484	0.2483	0.2482	0.2480	0.2480	0.2482	0.2482	0.2492



**Forward Voltage [V] data for tested units**  
**DATASET 46 (LUXEON K): Ts = Tair = 55°C, If = 500mA**  
**Ts ≥ 53°C and Tair ≥ 50°C in compliance with LM-80-08**

	CCT (t=0)	0hrs	24hrs	168hrs	500hrs	1000hrs	2000hrs	3000hrs	4000hrs	5000hrs	6000hrs	7000hrs	8000hrs	9000hrs	10000hrs
B11	2973K	3.059	3.057	3.048	3.051	3.047	3.049	3.044	3.046	3.048	3.043	3.044	3.047	3.040	3.043
B12	3005K	3.063	3.062	3.053	3.053	3.051	3.048	3.045	3.049	3.048	3.047	3.049	3.051	3.046	3.049
B13	2998K	3.041	3.036	3.029	3.030	3.029	3.023	3.020	3.026	3.024	3.023	3.024	3.025	3.019	3.021
B14	2987K	3.017	3.017	3.013	3.014	3.013	3.008	3.009	3.008	3.008	3.009	3.012	3.012	3.007	3.007
B15	2956K	3.147	3.127	3.112	3.105	3.097	3.091	3.085	3.085	3.083	3.085	3.079	3.081	3.074	3.074
B16	2981K	3.172	3.152	3.132	3.118	3.108	3.095	3.090	3.089	3.086	3.084	3.080	3.082	3.076	3.076
B17	2946K	3.061	3.060	3.057	3.053	3.050	3.047	3.044	3.041	3.042	3.042	3.041	3.044	3.037	3.040
B18	2907K	3.131	3.120	3.109	3.102	3.096	3.088	3.081	3.082	3.078	3.076	3.078	3.076	3.070	3.073
B19	2925K	3.106	3.101	3.098	3.097	3.095	3.093	3.092	3.093	3.092	3.091	3.091	3.092	3.085	3.089
B20	2990K	3.107	3.093	3.085	3.083	3.079	3.077	3.075	3.073	3.071	3.069	3.072	3.071	3.065	3.066
B31	3043K	3.096	3.086	3.082	3.082	3.081	3.079	3.077	3.083	3.087	3.085	3.089	3.097	3.098	3.103
B32	3012K	3.045	3.039	3.034	3.036	3.034	3.031	3.030	3.033	3.034	3.033	3.036	3.038	3.034	3.037
B33	2959K	3.185	3.140	3.122	3.113	3.107	3.099	3.098	3.100	3.098	3.099	3.100	3.101	3.097	3.099
B34	3010K	3.135	3.127	3.122	3.124	3.120	3.116	3.115	3.116	3.120	3.120	3.122	3.126	3.125	3.131
B35	2998K	3.088	3.080	3.073	3.074	3.075	3.072	3.068	3.074	3.076	3.076	3.078	3.086	3.087	3.092
B36	2995K	3.036	3.033	3.027	3.029	3.031	3.025	3.026	3.026	3.025	3.028	3.028	3.031	3.027	3.030
B37	3019K	3.226	3.172	3.152	3.144	3.137	3.128	3.128	3.126	3.125	3.123	3.126	3.126	3.124	3.127
B38	2974K	3.131	3.123	3.118	3.117	3.115	3.110	3.109	3.110	3.111	3.112	3.116	3.118	3.115	3.122
B39	3023K	3.081	3.074	3.069	3.070	3.067	3.066	3.066	3.068	3.068	3.068	3.073	3.073	3.074	3.078
B40	3029K	3.171	3.163	3.151	3.139	3.129	3.118	3.113	3.110	3.109	3.105	3.106	3.106	3.099	3.100
B51	2966K	3.039	3.034	3.029	3.029	3.024	3.023	3.023	3.024	3.027	3.026	3.028	3.027	3.025	3.027
B52	2980K	3.124	3.118	3.111	3.114	3.112	3.108	3.112	3.112	3.114	3.111	3.119	3.123	3.120	3.125
B53	2978K	3.031	3.025	3.017	3.018	3.018	3.016	3.017	3.019	3.020	3.023	3.025	3.030	3.028	3.037
B54	2906K	3.062	3.053	3.046	3.047	3.047	3.044	3.042	3.044	3.046	3.047	3.051	3.055	3.048	3.053
B55	2981K	3.091	3.085	3.077	3.075	3.077	3.073	3.073	3.077	3.078	3.079	3.081	3.087	3.081	3.086



**TM-21 Extrapolation of Luminous Flux data for tested units**  
**DATASET 45 (LUXEON K): Ts = Tair = 85°C, If = 500mA**  
**Ts ≥ 83°C and Tair ≥ 80°C in compliance with LM-80-08**

	CCT (t=0)	alpha	B	L70
A1	2945K	3.1195e-07	0.9890	1,107,837
A2	3006K	5.6407e-07	0.9789	594,506
A3	2990K	6.6163e-07	0.9998	538,742
A4	3018K	4.9724e-07	1.0028	722,876
A5	3012K	-5.4248e-08	0.9756	-6,118,929
A6	3034K	-2.4751e-08	0.9879	-13,919,811
A7	3012K	1.2653e-07	0.9917	2,752,885
A8	2973K	-1.7662e-07	0.9787	-1,897,817
A9	2964K	9.2422e-08	0.9844	3,689,179
A10	2948K	-1.7127e-08	0.9814	-19,728,856
A21	3070K	1.1621e-07	0.9905	2,987,123
A22	3008K	1.4060e-07	0.9922	2,481,199
A23	2990K	8.4273e-07	1.0063	430,676
A24	2962K	8.2017e-07	0.9980	432,479
A25	3063K	2.9382e-07	0.9968	1,202,936
A26	3055K	1.3292e-07	0.9888	2,598,263
A27	2963K	7.5795e-07	0.9987	468,805
A28	3017K	4.5968e-07	1.0078	792,903
A29	3027K	4.8558e-07	0.9764	685,294
A30	3071K	4.0642e-07	1.0042	887,856
A41	3102K	1.2178e-06	0.9918	286,153
A42	3059K	7.0223e-07	0.9793	478,172
A43	2993K	4.0720e-07	0.9902	851,721
A44	3101K	1.0355e-06	0.9865	331,346
A45	3086K	6.4648e-07	0.9881	533,247
ave	3018K	4.1805e-07	0.9906	830,652

**u' data for tested units**  
**DATASET 45 (LUXEON K): Ts = Tair = 85°C, If = 500mA**  
**Ts ≥ 83°C and Tair ≥ 80°C in compliance with LM-80-08**

	CCT (t=0)	0hrs	24hrs	168hrs	500hrs	1000hrs	2000hrs	3000hrs	4000hrs	5000hrs	6000hrs	7000hrs	8000hrs	9000hrs	10000hrs
A1	2945K	0.2528	0.2518	0.2514	0.2512	0.2509	0.2502	0.2500	0.2498	0.2498	0.2497	0.2498	0.2497	0.2497	0.2505
A2	3006K	0.2502	0.2493	0.2488	0.2486	0.2483	0.2477	0.2475	0.2474	0.2474	0.2473	0.2473	0.2473	0.2473	0.2482
A3	2990K	0.2505	0.2497	0.2492	0.2489	0.2486	0.2482	0.2479	0.2478	0.2476	0.2476	0.2476	0.2475	0.2475	0.2484
A4	3018K	0.2494	0.2484	0.2480	0.2478	0.2474	0.2469	0.2466	0.2465	0.2464	0.2463	0.2463	0.2463	0.2462	0.2471
A5	3012K	0.2499	0.2490	0.2486	0.2483	0.2479	0.2475	0.2472	0.2471	0.2471	0.2470	0.2470	0.2469	0.2469	0.2478
A6	3034K	0.2489	0.2480	0.2476	0.2473	0.2470	0.2466	0.2463	0.2461	0.2461	0.2460	0.2460	0.2459	0.2459	0.2468
A7	3012K	0.2499	0.2490	0.2486	0.2483	0.2480	0.2475	0.2472	0.2470	0.2470	0.2469	0.2469	0.2469	0.2469	0.2478
A8	2973K	0.2516	0.2507	0.2503	0.2500	0.2496	0.2492	0.2489	0.2487	0.2488	0.2486	0.2487	0.2486	0.2486	0.2494
A9	2964K	0.2517	0.2507	0.2503	0.2500	0.2497	0.2492	0.2488	0.2488	0.2488	0.2487	0.2487	0.2487	0.2486	0.2496
A10	2948K	0.2526	0.2516	0.2511	0.2508	0.2505	0.2500	0.2498	0.2496	0.2496	0.2494	0.2494	0.2494	0.2494	0.2503
A21	3070K	0.2478	0.2469	0.2466	0.2463	0.2460	0.2454	0.2451	0.2450	0.2450	0.2448	0.2448	0.2448	0.2448	0.2456
A22	3008K	0.2503	0.2493	0.2489	0.2487	0.2484	0.2477	0.2475	0.2474	0.2473	0.2471	0.2471	0.2471	0.2470	0.2477
A23	2990K	0.2508	0.2498	0.2495	0.2492	0.2488	0.2481	0.2479	0.2479	0.2477	0.2475	0.2475	0.2475	0.2475	0.2484
A24	2962K	0.2520	0.2510	0.2506	0.2504	0.2499	0.2493	0.2491	0.2490	0.2489	0.2487	0.2487	0.2486	0.2486	0.2495
A25	3063K	0.2480	0.2472	0.2467	0.2465	0.2462	0.2454	0.2452	0.2451	0.2450	0.2450	0.2450	0.2449	0.2449	0.2457
A26	3055K	0.2483	0.2474	0.2470	0.2468	0.2464	0.2459	0.2456	0.2455	0.2453	0.2452	0.2451	0.2451	0.2451	0.2459
A27	2963K	0.2522	0.2513	0.2508	0.2506	0.2503	0.2497	0.2495	0.2494	0.2493	0.2492	0.2492	0.2491	0.2491	0.2500
A28	3017K	0.2503	0.2494	0.2489	0.2487	0.2483	0.2479	0.2477	0.2475	0.2474	0.2472	0.2472	0.2472	0.2472	0.2480
A29	3027K	0.2493	0.2485	0.2481	0.2478	0.2473	0.2468	0.2466	0.2465	0.2465	0.2463	0.2463	0.2463	0.2463	0.2471
A30	3071K	0.2475	0.2466	0.2462	0.2460	0.2455	0.2449	0.2448	0.2447	0.2445	0.2443	0.2444	0.2443	0.2443	0.2452
A41	3102K	0.2471	0.2463	0.2458	0.2454	0.2451	0.2446	0.2444	0.2443	0.2442	0.2441	0.2441	0.2441	0.2441	0.2453
A42	3059K	0.2488	0.2478	0.2473	0.2470	0.2467	0.2463	0.2460	0.2459	0.2460	0.2459	0.2459	0.2459	0.2459	0.2471
A43	2993K	0.2513	0.2503	0.2499	0.2495	0.2491	0.2485	0.2483	0.2481	0.2481	0.2480	0.2480	0.2480	0.2480	0.2491
A44	3101K	0.2474	0.2465	0.2461	0.2457	0.2454	0.2449	0.2447	0.2445	0.2445	0.2444	0.2445	0.2445	0.2445	0.2459
A45	3086K	0.2478	0.2469	0.2465	0.2461	0.2457	0.2456	0.2449	0.2448	0.2448	0.2447	0.2448	0.2447	0.2448	0.2460





**Forward Voltage [V] data for tested units**  
**DATASET 45 (LUXEON K): Ts = Tair = 85°C, If = 500mA**  
**Ts ≥ 83°C and Tair ≥ 80°C in compliance with LM-80-08**

	CCT (t=0)	0hrs	24hrs	168hrs	500hrs	1000hrs	2000hrs	3000hrs	4000hrs	5000hrs	6000hrs	7000hrs	8000hrs	9000hrs	10000hrs
A1	2945K	3.036	3.029	3.030	3.037	3.039	3.055	3.105	3.182	3.197	3.205	3.223	3.221	3.222	3.222
A2	3006K	3.269	3.234	3.199	3.204	3.201	3.206	3.216	3.227	3.222	3.225	3.239	3.245	3.231	3.243
A3	2990K	3.129	3.131	3.116	3.118	3.118	3.133	3.170	3.256	3.355	3.368	3.388	3.389	3.388	3.388
A4	3018K	3.122	3.111	3.117	3.119	3.119	3.128	3.164	3.245	3.346	3.366	3.383	3.384	3.384	3.388
A5	3012K	3.275	3.237	3.211	3.206	3.195	3.211	3.215	3.223	3.219	3.231	3.245	3.245	3.245	3.244
A6	3034K	3.047	3.044	3.040	3.041	3.049	3.086	3.163	3.196	3.210	3.205	3.223	3.219	3.221	3.222
A7	3012K	3.024	3.026	3.020	3.013	3.028	3.046	3.098	3.184	3.205	3.202	3.218	3.214	3.216	3.218
A8	2973K	3.071	3.069	3.066	3.069	3.071	3.088	3.115	3.141	3.150	3.145	3.164	3.164	3.156	3.160
A9	2964K	3.217	3.189	3.187	3.183	3.179	3.205	3.213	3.228	3.230	3.229	3.242	3.245	3.241	3.244
A10	2948K	3.089	3.086	3.077	3.073	3.071	3.089	3.123	3.183	3.250	3.251	3.264	3.269	3.268	3.270
A21	3070K	3.027	3.037	3.013	3.032	3.036	3.057	3.107	3.180	3.190	3.190	3.204	3.210	3.201	3.199
A22	3008K	3.035	3.034	3.014	3.016	3.030	3.046	3.081	3.141	3.204	3.209	3.225	3.226	3.224	3.215
A23	2990K	3.117	3.118	3.110	3.110	3.114	3.119	3.148	3.217	3.325	3.345	3.366	3.369	3.364	3.367
A24	2962K	3.068	3.068	3.062	3.068	3.068	3.078	3.089	3.138	3.199	3.228	3.248	3.257	3.248	3.244
A25	3063K	3.085	3.085	3.061	3.074	3.073	3.093	3.127	3.192	3.260	3.271	3.289	3.288	3.287	3.289
A26	3055K	3.047	3.045	3.039	3.039	3.043	3.051	3.093	3.157	3.212	3.219	3.240	3.241	3.239	3.232
A27	2963K	3.012	3.013	3.001	3.002	3.013	3.019	3.046	3.114	3.200	3.207	3.219	3.221	3.222	3.215
A28	3017K	3.071	3.069	3.068	3.068	3.063	3.084	3.145	3.266	3.338	3.333	3.347	3.358	3.349	3.347
A29	3027K	3.168	3.164	3.141	3.125	3.121	3.127	3.137	3.155	3.161	3.163	3.175	3.173	3.167	3.175
A30	3071K	3.105	3.113	3.108	3.106	3.108	3.119	3.150	3.243	3.346	3.347	3.363	3.356	3.363	3.366
A41	3102K	3.049	3.041	3.045	3.044	3.047	3.059	3.092	3.144	3.192	3.204	3.221	3.223	3.225	3.220
A42	3059K	3.111	3.088	3.085	3.087	3.090	3.108	3.119	3.138	3.137	3.139	3.154	3.154	3.153	3.153
A43	2993K	3.060	3.058	3.047	3.046	3.049	3.071	3.121	3.198	3.217	3.228	3.232	3.246	3.244	3.233
A44	3101K	3.023	3.022	3.016	3.016	3.023	3.038	3.090	3.162	3.185	3.189	3.192	3.206	3.207	3.208
A45	3086K	3.002	3.013	3.008	3.002	3.015	3.082	3.159	3.174	3.173	3.182	3.197	3.200	3.197	3.191



**TM-21 Extrapolation of Luminous Flux data for tested units**  
**DATASET 44 (LUXEON K): Ts = Tair = 105°C, If = 500mA**  
**Ts ≥ 103°C and Tair ≥ 100°C in compliance with LM-80-08**

	CCT (t=0)	alpha	B	L70
A1	2978K	4.5101e-07	0.9845	756,311
A2	2960K	1.3149e-06	0.9859	260,439
A3	3033K	1.5415e-06	0.9944	227,754
A4	2999K	1.5457e-06	0.9939	226,771
A5	2981K	9.5718e-07	0.9764	347,732
A6	2983K	8.1843e-07	0.9831	414,974
A7	2931K	1.3084e-06	0.9779	255,536
A8	3039K	1.6071e-06	0.9896	215,409
A9	2977K	1.3310e-06	0.9950	264,198
A10	3005K	1.3782e-06	0.9869	249,248
A21	2890K	4.5813e-06	1.0128	80,623
A22	2981K	4.0575e-06	1.0095	90,239
A23	3054K	4.9872e-06	1.0132	74,138
A24	3004K	3.8130e-06	1.0083	95,713
A25	3068K	3.6339e-06	0.9987	97,796
A26	2997K	3.7948e-06	1.0040	95,056
A27	3048K	3.9849e-06	0.9947	88,173
A28	2984K	5.1945e-06	1.0032	69,287
A29	2991K	4.2324e-06	1.0254	90,203
A30	3018K	4.1446e-06	1.0215	91,186
A41	3108K	1.3799e-06	1.0080	264,213
A42	3090K	1.4177e-06	0.9743	233,236
A43	2972K	1.2452e-06	0.9798	270,016
A44	3035K	1.7201e-06	0.9853	198,722
A45	3052K	2.6440e-06	0.9843	128,914
ave	3007K	2.5192e-06	0.9955	139,809

**u' data for tested units**  
**DATASET 44 (LUXEON K): Ts = Tair = 105°C, If = 500mA**  
**Ts ≥ 103°C and Tair ≥ 100°C in compliance with LM-80-08**

	CCT (t=0)	0hrs	24hrs	168hrs	500hrs	1000hrs	2000hrs	3000hrs	4000hrs	5000hrs	6000hrs	7000hrs	8000hrs	9000hrs	10000hrs
A1	2978K	0.2513	0.2505	0.2501	0.2497	0.2493	0.2490	0.2488	0.2487	0.2488	0.2489	0.2490	0.2491	0.2491	0.2496
A2	2960K	0.2517	0.2508	0.2504	0.2501	0.2497	0.2492	0.2490	0.2490	0.2491	0.2491	0.2492	0.2494	0.2494	0.2499
A3	3033K	0.2485	0.2477	0.2473	0.2468	0.2464	0.2459	0.2457	0.2457	0.2458	0.2459	0.2460	0.2462	0.2463	0.2468
A4	2999K	0.2501	0.2492	0.2489	0.2485	0.2481	0.2476	0.2474	0.2474	0.2475	0.2475	0.2477	0.2478	0.2479	0.2484
A5	2981K	0.2507	0.2498	0.2495	0.2491	0.2485	0.2482	0.2480	0.2480	0.2482	0.2482	0.2484	0.2485	0.2486	0.2491
A6	2983K	0.2512	0.2503	0.2499	0.2495	0.2491	0.2486	0.2484	0.2484	0.2484	0.2485	0.2486	0.2488	0.2488	0.2493
A7	2931K	0.2535	0.2526	0.2522	0.2517	0.2514	0.2510	0.2508	0.2508	0.2509	0.2509	0.2511	0.2513	0.2514	0.2518
A8	3039K	0.2486	0.2478	0.2474	0.2470	0.2466	0.2461	0.2459	0.2459	0.2459	0.2460	0.2461	0.2462	0.2463	0.2467
A9	2977K	0.2511	0.2502	0.2498	0.2493	0.2489	0.2486	0.2484	0.2484	0.2485	0.2485	0.2487	0.2488	0.2489	0.2494
A10	3005K	0.2502	0.2494	0.2490	0.2485	0.2480	0.2478	0.2476	0.2475	0.2476	0.2477	0.2479	0.2479	0.2480	0.2485
A21	2890K	0.2551	0.2542	0.2539	0.2533	0.2528	0.2524	0.2521	0.2521	0.2521	0.2521	0.2522	0.2523	0.2524	0.2529
A22	2981K	0.2510	0.2501	0.2499	0.2493	0.2487	0.2483	0.2481	0.2481	0.2481	0.2481	0.2481	0.2482	0.2482	0.2487
A23	3054K	0.2482	0.2473	0.2470	0.2465	0.2461	0.2457	0.2454	0.2454	0.2454	0.2455	0.2456	0.2457	0.2458	0.2464
A24	3004K	0.2503	0.2494	0.2491	0.2486	0.2480	0.2475	0.2472	0.2472	0.2472	0.2472	0.2473	0.2473	0.2474	0.2480
A25	3068K	0.2477	0.2469	0.2466	0.2461	0.2456	0.2453	0.2451	0.2450	0.2451	0.2451	0.2452	0.2452	0.2453	0.2459
A26	2997K	0.2505	0.2496	0.2493	0.2488	0.2483	0.2479	0.2478	0.2477	0.2478	0.2477	0.2479	0.2480	0.2481	0.2487
A27	3048K	0.2486	0.2477	0.2473	0.2468	0.2464	0.2461	0.2459	0.2459	0.2460	0.2462	0.2464	0.2467	0.2468	0.2475
A28	2984K	0.2514	0.2505	0.2502	0.2495	0.2492	0.2489	0.2487	0.2488	0.2490	0.2491	0.2493	0.2497	0.2498	0.2506
A29	2991K	0.2512	0.2502	0.2500	0.2495	0.2488	0.2484	0.2482	0.2482	0.2484	0.2485	0.2488	0.2490	0.2491	0.2498
A30	3018K	0.2496	0.2487	0.2483	0.2479	0.2473	0.2471	0.2468	0.2469	0.2469	0.2470	0.2472	0.2475	0.2476	0.2483
A41	3108K	0.2478	0.2471	0.2468	0.2465	0.2460	0.2457	0.2456	0.2456	0.2457	0.2458	0.2459	0.2460	0.2461	0.2466
A42	3090K	0.2479	0.2471	0.2467	0.2463	0.2460	0.2456	0.2455	0.2455	0.2456	0.2457	0.2458	0.2460	0.2461	0.2467
A43	2972K	0.2521	0.2512	0.2508	0.2503	0.2499	0.2495	0.2494	0.2494	0.2495	0.2496	0.2497	0.2499	0.2500	0.2506
A44	3035K	0.2493	0.2484	0.2480	0.2475	0.2471	0.2468	0.2466	0.2466	0.2468	0.2468	0.2470	0.2471	0.2472	0.2478
A45	3052K	0.2491	0.2482	0.2478	0.2473	0.2469	0.2467	0.2465	0.2465	0.2468	0.2469	0.2472	0.2474	0.2476	0.2483



Forward Voltage [V] data for tested units  
**DATASET 44 (LUXEON K): Ts = Tair = 105°C, If = 500mA**  
**Ts ≥ 103°C and Tair ≥ 100°C in compliance with LM-80-08**

	CCT (t=0)	0hrs	24hrs	168hrs	500hrs	1000hrs	2000hrs	3000hrs	4000hrs	5000hrs	6000hrs	7000hrs	8000hrs	9000hrs	10000hrs
A1	2978K	3.044	3.038	3.030	3.068	3.256	3.279	3.293	3.300	3.301	3.300	3.321	3.315	3.309	3.318
A2	2960K	3.078	3.073	3.070	3.087	3.193	3.307	3.320	3.329	3.332	3.323	3.341	3.353	3.341	3.350
A3	3033K	3.132	3.124	3.121	3.152	3.307	3.413	3.429	3.447	3.442	3.454	3.464	3.476	3.466	3.483
A4	2999K	3.120	3.124	3.117	3.144	3.323	3.430	3.438	3.437	3.448	3.451	3.461	3.452	3.445	3.475
A5	2981K	3.111	3.116	3.115	3.150	3.277	3.285	3.290	3.302	3.301	3.303	3.316	3.317	3.311	3.325
A6	2983K	3.073	3.071	3.059	3.093	3.229	3.293	3.301	3.304	3.309	3.309	3.330	3.331	3.317	3.337
A7	2931K	3.263	3.227	3.215	3.246	3.263	3.260	3.267	3.273	3.271	3.252	3.283	3.281	3.280	3.275
A8	3039K	3.046	3.046	3.041	3.069	3.213	3.282	3.295	3.300	3.302	3.307	3.317	3.322	3.319	3.339
A9	2977K	3.025	3.022	3.021	3.061	3.264	3.276	3.280	3.291	3.298	3.290	3.309	3.312	3.295	3.319
A10	3005K	3.206	3.197	3.187	3.228	3.255	3.259	3.271	3.275	3.271	3.276	3.288	3.291	3.275	3.292
A21	2890K	3.067	3.056	3.063	3.132	3.260	3.262	3.277	3.279	3.278	3.283	3.295	3.292	3.288	3.298
A22	2981K	3.081	3.072	3.081	3.145	3.282	3.284	3.284	3.296	3.283	3.294	3.297	3.307	3.294	3.307
A23	3054K	3.057	3.060	3.048	3.069	3.210	3.301	3.311	3.324	3.326	3.329	3.334	3.340	3.337	3.354
A24	3004K	3.094	3.090	3.087	3.115	3.268	3.332	3.344	3.351	3.351	3.354	3.369	3.376	3.359	3.370
A25	3068K	3.042	3.042	3.036	3.080	3.210	3.229	3.236	3.237	3.235	3.235	3.244	3.242	3.227	3.240
A26	2997K	3.039	3.038	3.038	3.097	3.286	3.308	3.324	3.329	3.332	3.331	3.330	3.339	3.322	3.337
A27	3048K	3.037	3.026	3.035	3.132	3.250	3.251	3.263	3.271	3.268	3.263	3.277	3.271	3.254	3.272
A28	2984K	3.060	3.060	3.069	3.272	3.303	3.307	3.305	3.313	3.307	3.304	3.316	3.308	3.297	3.313
A29	2991K	3.048	3.047	3.053	3.185	3.323	3.332	3.333	3.343	3.329	3.332	3.342	3.341	3.321	3.335
A30	3018K	3.047	3.046	3.043	3.113	3.292	3.303	3.307	3.308	3.306	3.311	3.319	3.316	3.309	3.327
A41	3108K	3.135	3.118	3.114	3.189	3.218	3.219	3.230	3.224	3.236	3.238	3.261	3.254	3.248	3.265
A42	3090K	3.185	3.146	3.131	3.141	3.143	3.155	3.157	3.160	3.159	3.163	3.170	3.173	3.160	3.176
A43	2972K	3.237	3.203	3.185	3.202	3.200	3.211	3.210	3.214	3.201	3.212	3.227	3.225	3.221	3.226
A44	3035K	3.022	3.021	3.006	3.062	3.241	3.270	3.286	3.298	3.300	3.308	3.332	3.335	3.335	3.348
A45	3052K	3.207	3.174	3.157	3.156	3.178	3.178	3.183	3.185	3.181	3.186	3.199	3.197	3.193	3.196



**TM-21 Extrapolation of Luminous Flux data for tested units**  
**DATASET 43 (LUXEON K): Ts = Tair = 120°C, If = 500mA**  
**Ts ≥ 118°C and Tair ≥ 115°C in compliance with LM-80-08**

	CCT (t=0)	alpha	B	L70
A1	3010K	6.0714e-06	1.0062	59,757
A2	2948K	4.3717e-06	0.9955	80,561
A3	2945K	8.0477e-06	0.9965	43,886
A4	2968K	7.8356e-06	1.0043	46,070
A5	2995K	5.7336e-06	1.0003	62,256
A6	2998K	7.7694e-06	1.0177	48,169
A7	2922K	8.7015e-06	1.0158	42,796
A8	2950K	9.8506e-06	1.0279	38,998
A9	2959K	7.9594e-06	1.0152	46,709
A10	2970K	5.9502e-06	0.9899	58,232
A21	2996K	3.1731e-06	0.9879	108,574
A22	2947K	3.3599e-06	0.9722	97,780
A23	3076K	3.4194e-06	0.9712	95,765
A24	2913K	2.7413e-06	0.9676	118,101
A25	2981K	2.3965e-06	0.9894	144,377
A26	2934K	1.1312e-06	0.9671	285,784
A27	2991K	5.4530e-06	0.9958	64,640
A28	3000K	5.7354e-06	0.9884	60,148
A29	2970K	1.9487e-06	0.9545	159,117
A30	2996K	4.3715e-06	0.9798	76,919
A41	3011K	8.7629e-06	0.9960	40,243
A42	3040K	9.5690e-06	0.9942	36,669
A43	3017K	9.5230e-06	0.9938	36,805
A44	3014K	8.1014e-06	0.9947	43,373
A45	3001K	1.0226e-05	0.9995	34,828
ave	2982K	6.0695e-06	0.9927	57,554

**u' data for tested units**  
**DATASET 43 (LUXEON K): Ts = Tair = 120°C, If = 500mA**  
**Ts ≥ 118°C and Tair ≥ 115°C in compliance with LM-80-08**

	CCT (t=0)	0hrs	24hrs	168hrs	500hrs	1000hrs	2000hrs	3000hrs	4000hrs	5000hrs	6000hrs	7000hrs	8000hrs	9000hrs	10000hrs
A1	3010K	0.2494	0.2486	0.2483	0.2477	0.2472	0.2471	0.2472	0.2475	0.2484	0.2495	0.2501	0.2509	0.2513	0.2522
A2	2948K	0.2519	0.2511	0.2508	0.2501	0.2496	0.2494	0.2496	0.2498	0.2505	0.2513	0.2519	0.2525	0.2529	0.2536
A3	2945K	0.2521	0.2513	0.2510	0.2504	0.2501	0.2499	0.2501	0.2505	0.2513	0.2524	0.2531	0.2538	0.2544	0.2558
A4	2968K	0.2512	0.2503	0.2500	0.2495	0.2491	0.2489	0.2491	0.2495	0.2505	0.2515	0.2522	0.2531	0.2537	0.2551
A5	2995K	0.2499	0.2491	0.2488	0.2482	0.2478	0.2476	0.2478	0.2481	0.2488	0.2498	0.2504	0.2511	0.2515	0.2524
A6	2998K	0.2498	0.2489	0.2485	0.2479	0.2476	0.2474	0.2477	0.2480	0.2488	0.2499	0.2507	0.2515	0.2520	0.2535
A7	2922K	0.2533	0.2523	0.2520	0.2515	0.2511	0.2509	0.2512	0.2516	0.2526	0.2537	0.2546	0.2555	0.2562	0.2578
A8	2950K	0.2521	0.2511	0.2508	0.2502	0.2497	0.2496	0.2499	0.2503	0.2515	0.2527	0.2537	0.2547	0.2555	0.2571
A9	2959K	0.2510	0.2501	0.2498	0.2491	0.2487	0.2486	0.2488	0.2493	0.2502	0.2514	0.2521	0.2531	0.2537	0.2547
A10	2970K	0.2517	0.2507	0.2504	0.2497	0.2494	0.2492	0.2495	0.2498	0.2506	0.2517	0.2525	0.2533	0.2536	0.2544
A21	2996K	0.2502	0.2494	0.2493	0.2485	0.2481	0.2478	0.2481	0.2483	0.2490	0.2498	0.2504	0.2510	0.2511	0.2519
A22	2947K	0.2522	0.2513	0.2511	0.2504	0.2501	0.2499	0.2501	0.2505	0.2512	0.2521	0.2526	0.2533	0.2534	0.2543
A23	3076K	0.2470	0.2461	0.2458	0.2451	0.2448	0.2447	0.2449	0.2452	0.2458	0.2466	0.2471	0.2476	0.2477	0.2485
A24	2913K	0.2541	0.2532	0.2530	0.2522	0.2519	0.2517	0.2520	0.2524	0.2532	0.2541	0.2546	0.2552	0.2551	0.2560
A25	2981K	0.2505	0.2496	0.2494	0.2485	0.2481	0.2479	0.2481	0.2483	0.2489	0.2497	0.2501	0.2506	0.2507	0.2515
A26	2934K	0.2527	0.2517	0.2515	0.2509	0.2505	0.2503	0.2505	0.2507	0.2514	0.2518	0.2526	0.2530	0.2530	0.2539
A27	2991K	0.2504	0.2495	0.2492	0.2485	0.2482	0.2481	0.2484	0.2488	0.2496	0.2506	0.2512	0.2519	0.2522	0.2534
A28	3000K	0.2503	0.2494	0.2491	0.2485	0.2481	0.2479	0.2482	0.2486	0.2495	0.2505	0.2512	0.2519	0.2522	0.2534
A29	2970K	0.2515	0.2506	0.2503	0.2498	0.2495	0.2493	0.2496	0.2499	0.2506	0.2512	0.2521	0.2527	0.2527	0.2534
A30	2996K	0.2501	0.2492	0.2489	0.2482	0.2478	0.2477	0.2480	0.2483	0.2491	0.2500	0.2507	0.2513	0.2515	0.2523
A41	3011K	0.2503	0.2494	0.2491	0.2484	0.2480	0.2479	0.2482	0.2486	0.2497	0.2510	0.2518	0.2528	0.2534	0.2550
A42	3040K	0.2488	0.2480	0.2477	0.2471	0.2469	0.2467	0.2471	0.2475	0.2488	0.2500	0.2509	0.2519	0.2527	0.2543
A43	3017K	0.2504	0.2496	0.2492	0.2486	0.2483	0.2483	0.2486	0.2490	0.2502	0.2514	0.2522	0.2531	0.2538	0.2554
A44	3014K	0.2499	0.2491	0.2487	0.2480	0.2478	0.2477	0.2480	0.2484	0.2495	0.2507	0.2515	0.2523	0.2529	0.2545
A45	3001K	0.2509	0.2501	0.2497	0.2492	0.2489	0.2487	0.2493	0.2498	0.2510	0.2523	0.2532	0.2543	0.2551	0.2568





**Forward Voltage [V] data for tested units**  
**DATASET 43 (LUXEON K): Ts = Tair = 120°C, If = 500mA**  
**Ts ≥ 118°C and Tair ≥ 115°C in compliance with LM-80-08**

	CCT (t=0)	0hrs	24hrs	168hrs	500hrs	1000hrs	2000hrs	3000hrs	4000hrs	5000hrs	6000hrs	7000hrs	8000hrs	9000hrs	10000hrs
A1	3010K	3.140	3.140	3.146	3.310	3.492	3.511	3.518	3.494	3.479	3.480	3.465	3.460	3.454	3.461
A2	2948K	3.114	3.112	3.115	3.297	3.405	3.426	3.457	3.456	3.457	3.466	3.456	3.451	3.436	3.450
A3	2945K	3.193	3.183	3.179	3.240	3.261	3.274	3.279	3.265	3.253	3.256	3.245	3.237	3.230	3.236
A4	2968K	3.078	3.076	3.087	3.325	3.395	3.404	3.402	3.380	3.363	3.359	3.347	3.342	3.329	3.338
A5	2995K	3.024	3.023	3.033	3.256	3.323	3.343	3.364	3.354	3.349	3.354	3.344	3.340	3.326	3.328
A6	2998K	3.067	3.064	3.079	3.349	3.370	3.384	3.397	3.381	3.375	3.378	3.370	3.363	3.351	3.360
A7	2922K	3.095	3.094	3.100	3.341	3.409	3.437	3.447	3.422	3.401	3.399	3.389	3.383	3.373	3.376
A8	2950K	3.135	3.135	3.143	3.422	3.499	3.522	3.521	3.500	3.484	3.486	3.475	3.472	3.459	3.467
A9	2959K	3.141	3.144	3.152	3.492	3.538	3.557	3.553	3.525	3.509	3.512	3.504	3.499	3.486	3.493
A10	2970K	3.077	3.075	3.083	3.314	3.359	3.379	3.389	3.368	3.352	3.347	3.339	3.331	3.322	3.328
A21	2996K	3.056	3.051	3.074	3.310	3.328	3.336	3.343	3.331	3.326	3.320	3.315	3.307	3.295	3.308
A22	2947K	3.027	3.026	3.043	3.288	3.312	3.323	3.334	3.324	3.324	3.323	3.316	3.311	3.301	3.310
A23	3076K	3.220	3.208	3.211	3.266	3.288	3.290	3.284	3.268	3.261	3.253	3.252	3.244	3.240	3.247
A24	2913K	3.098	3.095	3.115	3.296	3.317	3.333	3.356	3.350	3.354	3.356	3.351	3.347	3.344	3.349
A25	2981K	3.146	3.148	3.157	3.499	3.546	3.557	3.547	3.524	3.510	3.511	3.507	3.501	3.493	3.505
A26	2934K	3.040	3.040	3.047	3.226	3.300	3.308	3.315	3.304	3.294	3.290	3.280	3.279	3.269	3.276
A27	2991K	3.074	3.069	3.111	3.331	3.342	3.341	3.341	3.328	3.321	3.324	3.314	3.307	3.302	3.305
A28	3000K	3.093	3.089	3.158	3.306	3.320	3.323	3.327	3.315	3.313	3.313	3.307	3.302	3.296	3.301
A29	2970K	3.248	3.228	3.260	3.284	3.285	3.289	3.287	3.277	3.272	3.267	3.265	3.261	3.255	3.262
A30	2996K	3.068	3.063	3.077	3.333	3.368	3.389	3.397	3.380	3.366	3.362	3.352	3.341	3.338	3.344
A41	3011K	3.058	3.049	3.056	3.249	3.302	3.323	3.339	3.315	3.303	3.286	3.277	3.268	3.261	3.268
A42	3040K	3.210	3.170	3.169	3.185	3.184	3.195	3.200	3.196	3.193	3.188	3.182	3.182	3.178	3.183
A43	3017K	3.203	3.187	3.188	3.230	3.247	3.264	3.272	3.255	3.246	3.237	3.230	3.229	3.222	3.228
A44	3014K	3.070	3.064	3.099	3.256	3.266	3.279	3.285	3.269	3.255	3.245	3.239	3.234	3.227	3.234
A45	3001K	3.219	3.187	3.186	3.211	3.215	3.222	3.226	3.221	3.215	3.209	3.205	3.204	3.201	3.205



**TM-21 Extrapolation of Luminous Flux data for tested units**  
**DATASET 15 (LUXEON K): Ts = Tair = 55°C, If = 700mA**  
**Ts ≥ 53°C and Tair ≥ 50°C in compliance with LM-80-08**

	CCT (t=0)	alpha	B	L70
A1	2992K	1.8137e-06	0.9960	194,436
A2	3008K	2.2007e-06	1.0011	162,575
A3	2921K	2.0218e-06	0.9918	172,348
A4	2975K	2.0803e-06	0.9956	169,327
A5	2986K	2.0681e-06	0.9939	169,495
A6	2992K	1.3477e-06	1.0000	264,651
A7	2965K	1.9275e-06	1.0014	185,769
A8	3026K	1.5967e-06	0.9977	221,921
A9	3083K	7.9385e-07	0.9947	442,578
A10	3048K	1.1653e-06	0.9973	303,748
A21	3055K	1.3183e-06	0.9892	262,363
A22	3026K	2.5362e-06	0.9972	139,536
A23	3032K	2.0785e-06	0.9843	163,994
A24	3043K	2.0501e-06	0.9975	172,744
A25	3043K	2.3912e-06	1.0040	150,821
A26	3104K	2.5408e-06	1.0015	140,967
A27	3032K	1.9818e-06	1.0016	180,802
A28	3056K	1.9260e-06	1.0046	187,595
A29	3020K	2.2721e-06	1.0033	158,449
A30	3002K	2.5287e-06	0.9790	132,662
A41	3081K	2.9700e-06	0.9981	119,445
A42	3049K	2.3387e-06	0.9912	148,738
A43	3082K	2.7385e-06	0.9984	129,660
A44	3009K	2.1234e-06	0.9906	163,516
A45	3116K	2.2186e-06	0.9987	160,167
ave	3029K	2.0393e-06	0.9963	173,100

**u' data for tested units**  
**DATASET 15 (LUXEON K): Ts = Tair = 55°C, If = 700mA**  
**Ts ≥ 53°C and Tair ≥ 50°C in compliance with LM-80-08**

	CCT (t=0)	0hrs	24hrs	168hrs	500hrs	1000hrs	2000hrs	3000hrs	4000hrs	5000hrs	6000hrs	7000hrs	8000hrs	9000hrs	10000hrs
A1	2992K	0.2507	0.2496	0.2490	0.2487	0.2483	0.2477	0.2473	0.2471	0.2472	0.2470	0.2470	0.2470	0.2470	0.2473
A2	3008K	0.2501	0.2490	0.2485	0.2482	0.2477	0.2472	0.2468	0.2466	0.2467	0.2466	0.2466	0.2466	0.2466	0.2470
A3	2921K	0.2534	0.2523	0.2518	0.2514	0.2510	0.2503	0.2500	0.2498	0.2499	0.2498	0.2498	0.2498	0.2498	0.2502
A4	2975K	0.2511	0.2500	0.2495	0.2492	0.2487	0.2481	0.2478	0.2476	0.2477	0.2476	0.2476	0.2476	0.2476	0.2481
A5	2986K	0.2507	0.2495	0.2491	0.2486	0.2482	0.2478	0.2474	0.2472	0.2473	0.2472	0.2472	0.2472	0.2472	0.2475
A6	2992K	0.2505	0.2493	0.2488	0.2485	0.2481	0.2475	0.2472	0.2470	0.2471	0.2470	0.2470	0.2469	0.2469	0.2474
A7	2965K	0.2515	0.2504	0.2499	0.2496	0.2492	0.2487	0.2483	0.2481	0.2482	0.2481	0.2481	0.2481	0.2481	0.2485
A8	3026K	0.2490	0.2480	0.2475	0.2471	0.2468	0.2460	0.2458	0.2456	0.2456	0.2455	0.2456	0.2456	0.2456	0.2459
A9	3083K	0.2472	0.2460	0.2456	0.2452	0.2449	0.2443	0.2439	0.2438	0.2438	0.2437	0.2437	0.2438	0.2437	0.2441
A10	3048K	0.2485	0.2473	0.2468	0.2465	0.2461	0.2454	0.2451	0.2449	0.2450	0.2448	0.2449	0.2449	0.2449	0.2454
A21	3055K	0.2492	0.2481	0.2476	0.2473	0.2469	0.2463	0.2459	0.2458	0.2458	0.2457	0.2458	0.2457	0.2457	0.2461
A22	3026K	0.2500	0.2489	0.2485	0.2481	0.2477	0.2471	0.2467	0.2466	0.2465	0.2465	0.2465	0.2464	0.2465	0.2470
A23	3032K	0.2495	0.2483	0.2479	0.2475	0.2472	0.2465	0.2461	0.2459	0.2460	0.2459	0.2459	0.2459	0.2459	0.2464
A24	3043K	0.2491	0.2480	0.2475	0.2471	0.2468	0.2462	0.2458	0.2457	0.2457	0.2456	0.2456	0.2456	0.2457	0.2461
A25	3043K	0.2489	0.2478	0.2473	0.2470	0.2466	0.2460	0.2455	0.2454	0.2454	0.2453	0.2454	0.2454	0.2454	0.2459
A26	3104K	0.2464	0.2453	0.2449	0.2445	0.2441	0.2435	0.2431	0.2430	0.2430	0.2429	0.2430	0.2429	0.2430	0.2435
A27	3032K	0.2490	0.2479	0.2474	0.2471	0.2466	0.2460	0.2456	0.2454	0.2455	0.2454	0.2454	0.2454	0.2455	0.2459
A28	3056K	0.2482	0.2472	0.2467	0.2464	0.2460	0.2453	0.2449	0.2447	0.2447	0.2446	0.2447	0.2447	0.2447	0.2451
A29	3020K	0.2496	0.2484	0.2480	0.2477	0.2474	0.2465	0.2461	0.2460	0.2460	0.2459	0.2459	0.2459	0.2459	0.2464
A30	3002K	0.2506	0.2491	0.2486	0.2482	0.2478	0.2472	0.2468	0.2468	0.2468	0.2467	0.2467	0.2466	0.2467	0.2471
A41	3081K	0.2482	0.2471	0.2467	0.2462	0.2458	0.2452	0.2449	0.2448	0.2449	0.2448	0.2449	0.2449	0.2451	0.2460
A42	3049K	0.2490	0.2479	0.2474	0.2469	0.2465	0.2460	0.2456	0.2456	0.2456	0.2455	0.2456	0.2457	0.2459	0.2468
A43	3082K	0.2477	0.2466	0.2461	0.2456	0.2452	0.2447	0.2443	0.2443	0.2443	0.2442	0.2443	0.2443	0.2445	0.2454
A44	3009K	0.2512	0.2501	0.2496	0.2491	0.2486	0.2481	0.2477	0.2476	0.2477	0.2476	0.2477	0.2478	0.2480	0.2490
A45	3116K	0.2467	0.2456	0.2451	0.2447	0.2442	0.2437	0.2434	0.2433	0.2433	0.2432	0.2434	0.2434	0.2435	0.2444



**Forward Voltage [V] data for tested units**  
**DATASET 15 (LUXEON K): Ts = Tair = 55°C, If = 700mA**  
**Ts ≥ 53°C and Tair ≥ 50°C in compliance with LM-80-08**

	CCT (t=0)	0hrs	24hrs	168hrs	500hrs	1000hrs	2000hrs	3000hrs	4000hrs	5000hrs	6000hrs	7000hrs	8000hrs	9000hrs	10000hrs
A1	2992K	3.166	3.157	3.152	3.148	3.142	3.140	3.141	3.144	3.151	3.152	3.145	3.153	3.160	3.159
A2	3008K	3.300	3.264	3.242	3.228	3.214	3.209	3.209	3.215	3.220	3.222	3.219	3.226	3.233	3.236
A3	2921K	3.204	3.192	3.189	3.183	3.179	3.178	3.178	3.178	3.188	3.189	3.181	3.191	3.199	3.198
A4	2975K	3.251	3.239	3.236	3.229	3.224	3.225	3.225	3.229	3.236	3.238	3.230	3.239	3.251	3.249
A5	2986K	3.135	3.126	3.121	3.118	3.113	3.113	3.114	3.116	3.121	3.119	3.113	3.120	3.125	3.124
A6	2992K	3.138	3.132	3.127	3.124	3.122	3.123	3.122	3.128	3.138	3.137	3.137	3.147	3.160	3.167
A7	2965K	3.141	3.135	3.130	3.126	3.125	3.126	3.129	3.134	3.144	3.149	3.149	3.161	3.174	3.185
A8	3026K	3.133	3.126	3.120	3.116	3.110	3.113	3.114	3.115	3.123	3.121	3.116	3.123	3.130	3.128
A9	3083K	3.157	3.150	3.147	3.142	3.139	3.138	3.141	3.143	3.149	3.151	3.147	3.156	3.163	3.165
A10	3048K	3.209	3.200	3.194	3.187	3.183	3.181	3.183	3.187	3.193	3.192	3.187	3.196	3.205	3.205
A21	3055K	3.127	3.117	3.111	3.108	3.105	3.107	3.108	3.113	3.120	3.121	3.122	3.133	3.142	3.151
A22	3026K	3.125	3.114	3.111	3.109	3.106	3.105	3.108	3.110	3.117	3.115	3.110	3.118	3.125	3.125
A23	3032K	3.264	3.252	3.236	3.220	3.207	3.199	3.195	3.194	3.196	3.193	3.186	3.193	3.197	3.196
A24	3043K	3.300	3.270	3.260	3.251	3.245	3.241	3.242	3.247	3.252	3.253	3.246	3.256	3.261	3.263
A25	3043K	3.186	3.176	3.170	3.166	3.162	3.161	3.163	3.165	3.172	3.173	3.167	3.178	3.185	3.187
A26	3104K	3.261	3.249	3.245	3.238	3.234	3.233	3.235	3.239	3.246	3.247	3.243	3.254	3.265	3.268
A27	3032K	3.227	3.216	3.212	3.206	3.202	3.203	3.203	3.207	3.217	3.219	3.214	3.225	3.237	3.242
A28	3056K	3.150	3.140	3.140	3.136	3.133	3.135	3.139	3.148	3.157	3.165	3.164	3.179	3.193	3.207
A29	3020K	3.102	3.095	3.091	3.088	3.085	3.087	3.086	3.090	3.095	3.098	3.093	3.102	3.109	3.111
A30	3002K	3.333	3.306	3.265	3.237	3.219	3.208	3.201	3.201	3.202	3.200	3.195	3.200	3.204	3.206
A41	3081K	3.246	3.213	3.198	3.188	3.180	3.175	3.175	3.179	3.181	3.183	3.177	3.184	3.188	3.191
A42	3049K	3.171	3.158	3.153	3.148	3.141	3.142	3.145	3.148	3.153	3.155	3.151	3.158	3.166	3.169
A43	3082K	3.167	3.151	3.143	3.137	3.132	3.131	3.131	3.136	3.140	3.142	3.138	3.145	3.153	3.158
A44	3009K	3.272	3.216	3.195	3.185	3.174	3.171	3.168	3.172	3.174	3.174	3.166	3.169	3.175	3.177
A45	3116K	3.257	3.247	3.242	3.236	3.233	3.232	3.235	3.242	3.252	3.256	3.253	3.267	3.282	3.295



**TM-21 Extrapolation of Luminous Flux data for tested units**  
**DATASET 14 (LUXEON K): Ts = Tair = 85°C, If = 700mA**  
**Ts ≥ 83°C and Tair ≥ 80°C in compliance with LM-80-08**

	CCT (t=0)	alpha	B	L70
B11	3082K	5.6339e-06	1.0158	66,091
B12	3036K	5.4413e-06	1.0114	67,637
B13	2987K	4.3413e-06	1.0120	84,906
B14	2963K	5.1046e-06	1.0075	71,335
B15	3033K	5.9451e-06	1.0174	62,894
B16	3030K	5.7041e-06	1.0073	63,802
B17	2934K	5.2574e-06	1.0092	69,580
B18	3017K	6.2218e-06	1.0285	61,848
B19	3033K	5.2768e-06	1.0075	69,011
B20	2957K	5.2332e-06	1.0027	68,672
B31	3020K	5.3566e-06	1.0040	67,328
B32	3130K	4.8380e-06	1.0046	74,678
B33	3078K	5.2847e-06	1.0147	70,253
B34	3067K	6.4897e-06	1.0421	61,316
B35	3086K	5.7944e-06	1.0138	63,925
B36	3091K	6.0420e-06	1.0232	62,822
B37	3058K	5.1448e-06	1.0106	71,382
B38	3144K	4.9920e-06	1.0124	73,922
B39	3037K	5.1836e-06	1.0129	71,290
B40	3074K	5.3789e-06	1.0179	69,616
B51	3018K	3.5565e-06	1.0016	100,735
B52	3072K	6.5675e-06	1.0382	60,013
B53	3116K	4.4986e-06	1.0232	84,374
B54	2993K	5.4082e-06	1.0277	70,997
B55	3066K	5.1844e-06	1.0199	72,591
ave	3044K	5.3562e-06	1.0154	69,450

**u' data for tested units**  
**DATASET 14 (LUXEON K): Ts = Tair = 85°C, If = 700mA**  
**Ts ≥ 83°C and Tair ≥ 80°C in compliance with LM-80-08**

	CCT (t=0)	0hrs	24hrs	168hrs	500hrs	1000hrs	2000hrs	3000hrs	4000hrs	5000hrs	6000hrs	7000hrs	8000hrs	9000hrs	10000hrs
B11	3082K	0.2474	0.2463	0.2459	0.2454	0.2449	0.2445	0.2442	0.2442	0.2443	0.2443	0.2445	0.2445	0.2448	0.2455
B12	3036K	0.2491	0.2479	0.2475	0.2470	0.2465	0.2461	0.2457	0.2457	0.2458	0.2459	0.2461	0.2462	0.2464	0.2471
B13	2987K	0.2510	0.2501	0.2497	0.2493	0.2488	0.2484	0.2480	0.2480	0.2480	0.2480	0.2481	0.2481	0.2482	0.2487
B14	2963K	0.2520	0.2509	0.2504	0.2500	0.2494	0.2489	0.2486	0.2486	0.2486	0.2486	0.2487	0.2488	0.2490	0.2496
B15	3033K	0.2485	0.2474	0.2470	0.2466	0.2460	0.2455	0.2452	0.2452	0.2452	0.2452	0.2452	0.2453	0.2454	0.2460
B16	3030K	0.2490	0.2478	0.2474	0.2469	0.2463	0.2460	0.2456	0.2456	0.2456	0.2456	0.2457	0.2459	0.2460	0.2466
B17	2934K	0.2532	0.2520	0.2516	0.2511	0.2505	0.2501	0.2498	0.2498	0.2498	0.2497	0.2498	0.2499	0.2500	0.2507
B18	3017K	0.2503	0.2492	0.2487	0.2483	0.2478	0.2474	0.2470	0.2470	0.2471	0.2471	0.2472	0.2473	0.2474	0.2482
B19	3033K	0.2489	0.2478	0.2474	0.2470	0.2465	0.2461	0.2458	0.2457	0.2458	0.2458	0.2458	0.2459	0.2460	0.2466
B20	2957K	0.2524	0.2512	0.2508	0.2504	0.2499	0.2494	0.2491	0.2490	0.2490	0.2490	0.2490	0.2490	0.2491	0.2495
B31	3020K	0.2507	0.2496	0.2491	0.2486	0.2481	0.2477	0.2474	0.2474	0.2475	0.2475	0.2476	0.2477	0.2479	0.2485
B32	3130K	0.2471	0.2461	0.2456	0.2451	0.2446	0.2442	0.2439	0.2440	0.2441	0.2442	0.2444	0.2446	0.2448	0.2455
B33	3078K	0.2479	0.2468	0.2464	0.2459	0.2453	0.2449	0.2446	0.2446	0.2447	0.2448	0.2450	0.2451	0.2454	0.2461
B34	3067K	0.2485	0.2474	0.2469	0.2463	0.2459	0.2453	0.2450	0.2450	0.2452	0.2455	0.2457	0.2459	0.2463	0.2473
B35	3086K	0.2476	0.2466	0.2461	0.2456	0.2451	0.2448	0.2445	0.2445	0.2446	0.2449	0.2450	0.2453	0.2456	0.2464
B36	3091K	0.2483	0.2473	0.2469	0.2464	0.2459	0.2454	0.2451	0.2451	0.2452	0.2455	0.2457	0.2458	0.2460	0.2468
B37	3058K	0.2487	0.2477	0.2473	0.2468	0.2462	0.2458	0.2454	0.2453	0.2455	0.2455	0.2457	0.2458	0.2460	0.2467
B38	3144K	0.2458	0.2448	0.2444	0.2440	0.2436	0.2431	0.2428	0.2428	0.2429	0.2429	0.2430	0.2432	0.2433	0.2440
B39	3037K	0.2498	0.2487	0.2483	0.2478	0.2472	0.2468	0.2464	0.2464	0.2465	0.2465	0.2466	0.2467	0.2469	0.2475
B40	3074K	0.2485	0.2474	0.2469	0.2465	0.2460	0.2455	0.2451	0.2451	0.2451	0.2452	0.2453	0.2454	0.2456	0.2462
B51	3018K	0.2508	0.2497	0.2493	0.2488	0.2482	0.2478	0.2475	0.2474	0.2475	0.2476	0.2478	0.2479	0.2480	0.2489
B52	3072K	0.2479	0.2469	0.2465	0.2459	0.2453	0.2450	0.2445	0.2445	0.2446	0.2446	0.2447	0.2448	0.2445	0.2457
B53	3116K	0.2462	0.2451	0.2448	0.2443	0.2438	0.2434	0.2429	0.2428	0.2429	0.2429	0.2429	0.2430	0.2431	0.2437
B54	2993K	0.2508	0.2497	0.2493	0.2488	0.2483	0.2479	0.2475	0.2474	0.2476	0.2476	0.2477	0.2479	0.2481	0.2488
B55	3066K	0.2481	0.2470	0.2467	0.2462	0.2456	0.2452	0.2448	0.2448	0.2448	0.2447	0.2447	0.2448	0.2449	0.2454





**Forward Voltage [V] data for tested units**  
**DATASET 14 (LUXEON K): Ts = Tair = 85°C, If = 700mA**  
**Ts ≥ 83°C and Tair ≥ 80°C in compliance with LM-80-08**

	CCT (t=0)	0hrs	24hrs	168hrs	500hrs	1000hrs	2000hrs	3000hrs	4000hrs	5000hrs	6000hrs	7000hrs	8000hrs	9000hrs	10000hrs
B11	3082K	3.246	3.233	3.221	3.213	3.210	3.211	3.218	3.236	3.244	3.249	3.251	3.255	3.263	3.258
B12	3036K	3.259	3.250	3.238	3.230	3.225	3.234	3.244	3.255	3.263	3.266	3.267	3.270	3.281	3.277
B13	2987K	3.324	3.269	3.251	3.241	3.238	3.246	3.258	3.262	3.263	3.266	3.263	3.269	3.277	3.271
B14	2963K	3.226	3.203	3.187	3.177	3.171	3.169	3.178	3.189	3.194	3.199	3.200	3.208	3.215	3.212
B15	3033K	3.115	3.116	3.108	3.108	3.109	3.111	3.120	3.136	3.153	3.169	3.181	3.194	3.204	3.207
B16	3030K	3.292	3.277	3.250	3.234	3.226	3.225	3.232	3.241	3.247	3.252	3.252	3.256	3.264	3.261
B17	2934K	3.269	3.245	3.218	3.204	3.195	3.189	3.192	3.199	3.204	3.207	3.208	3.213	3.221	3.218
B18	3017K	3.157	3.140	3.131	3.129	3.125	3.123	3.131	3.139	3.146	3.151	3.153	3.158	3.167	3.163
B19	3033K	3.139	3.136	3.128	3.126	3.125	3.123	3.124	3.131	3.134	3.139	3.141	3.147	3.156	3.160
B20	2957K	3.263	3.257	3.241	3.231	3.227	3.229	3.238	3.247	3.252	3.256	3.255	3.261	3.269	3.261
B31	3020K	3.303	3.297	3.290	3.290	3.329	3.383	3.394	3.405	3.409	3.412	3.411	3.414	3.424	3.420
B32	3130K	3.391	3.308	3.276	3.277	3.283	3.290	3.295	3.299	3.300	3.302	3.298	3.304	3.310	3.304
B33	3078K	3.120	3.114	3.109	3.121	3.162	3.282	3.299	3.303	3.307	3.309	3.308	3.313	3.320	3.316
B34	3067K	3.212	3.205	3.201	3.213	3.295	3.509	3.531	3.541	3.548	3.551	3.550	3.553	3.561	3.556
B35	3086K	3.344	3.287	3.261	3.260	3.268	3.271	3.276	3.281	3.279	3.278	3.273	3.276	3.281	3.274
B36	3091K	3.080	3.075	3.070	3.082	3.136	3.258	3.269	3.273	3.276	3.279	3.278	3.283	3.291	3.283
B37	3058K	3.161	3.151	3.145	3.147	3.164	3.235	3.264	3.272	3.276	3.279	3.280	3.285	3.293	3.289
B38	3144K	3.101	3.093	3.087	3.099	3.151	3.267	3.278	3.283	3.285	3.287	3.286	3.292	3.299	3.288
B39	3037K	3.153	3.143	3.137	3.139	3.155	3.225	3.273	3.283	3.289	3.291	3.293	3.295	3.307	3.301
B40	3074K	3.127	3.117	3.112	3.114	3.128	3.191	3.255	3.266	3.271	3.274	3.274	3.280	3.290	3.282
B51	3018K	3.236	3.225	3.211	3.203	3.207	3.222	3.235	3.243	3.248	3.249	3.251	3.253	3.260	3.260
B52	3072K	3.160	3.153	3.149	3.150	3.164	3.241	3.330	3.345	3.350	3.350	3.349	3.356	3.365	3.360
B53	3116K	3.202	3.196	3.188	3.189	3.204	3.292	3.394	3.407	3.412	3.413	3.412	3.413	3.423	3.413
B54	2993K	3.289	3.280	3.273	3.270	3.288	3.391	3.539	3.559	3.563	3.570	3.568	3.573	3.582	3.575
B55	3066K	3.180	3.173	3.166	3.169	3.183	3.259	3.325	3.339	3.344	3.344	3.340	3.345	3.353	3.345



**TM-21 Extrapolation of Luminous Flux data for tested units**  
**DATASET 13 (LUXEON K): Ts = Tair = 105°C, If = 700mA**  
**Ts ≥ 103°C and Tair ≥ 100°C in compliance with LM-80-08**

	CCT (t=0)	alpha	B	L70
A1	3033K	5.6676e-06	1.0078	64,297
A2	2976K	5.3416e-06	1.0026	67,265
A3	3001K	5.7918e-06	1.0152	64,182
A4	3023K	5.3439e-06	0.9944	65,690
A5	3070K	5.9699e-06	1.0071	60,924
A6	2957K	5.6881e-06	1.0153	65,373
A7	2964K	8.9137e-06	1.0101	41,141
A8	2888K	7.5195e-06	1.0101	48,765
A9	2954K	6.9704e-06	1.0140	53,169
A10	2962K	5.8556e-06	1.0059	61,920
A21	3072K	6.2940e-06	1.0197	59,771
A22	2986K	6.4019e-06	1.0061	56,671
A23	2971K	6.0213e-06	0.9969	58,720
A24	2977K	5.8908e-06	1.0003	60,593
A25	3041K	6.2916e-06	1.0071	57,812
A26	2986K	6.4287e-06	0.9979	55,159
A27	3100K	5.5629e-06	1.0007	64,236
A28	2992K	5.2824e-06	0.9993	67,387
A29	3056K	6.8824e-06	1.0024	52,176
A30	2997K	6.6112e-06	1.0103	55,501
A41	3069K	5.8946e-06	0.9992	60,368
A42	3048K	6.8742e-06	0.9965	51,371
A43	3006K	6.8705e-06	1.0069	52,915
A44	3032K	5.2705e-06	0.9888	65,540
A45	3073K	6.9691e-06	0.9995	51,112
ave	3009K	6.2611e-06	1.0045	57,690

**u' data for tested units**  
**DATASET 13 (LUXEON K): Ts = Tair = 105°C, If = 700mA**  
**Ts ≥ 103°C and Tair ≥ 100°C in compliance with LM-80-08**

	CCT (t=0)	0hrs	24hrs	168hrs	500hrs	1000hrs	2000hrs	3000hrs	4000hrs	5000hrs	6000hrs	7000hrs	8000hrs	9000hrs	10000hrs
A1	3033K	0.2487	0.2478	0.2474	0.2468	0.2463	0.2460	0.2458	0.2460	0.2461	0.2464	0.2466	0.2469	0.2471	0.2473
A2	2976K	0.2509	0.2500	0.2495	0.2488	0.2484	0.2482	0.2480	0.2482	0.2485	0.2487	0.2491	0.2493	0.2496	0.2495
A3	3001K	0.2506	0.2496	0.2492	0.2486	0.2480	0.2479	0.2477	0.2480	0.2483	0.2485	0.2489	0.2491	0.2493	0.2492
A4	3023K	0.2495	0.2485	0.2481	0.2475	0.2471	0.2469	0.2468	0.2471	0.2475	0.2477	0.2480	0.2482	0.2485	0.2484
A5	3070K	0.2470	0.2461	0.2456	0.2450	0.2446	0.2444	0.2442	0.2445	0.2448	0.2451	0.2454	0.2456	0.2459	0.2461
A6	2957K	0.2522	0.2512	0.2507	0.2499	0.2495	0.2492	0.2490	0.2492	0.2495	0.2497	0.2500	0.2503	0.2505	0.2505
A7	2964K	0.2518	0.2508	0.2502	0.2495	0.2492	0.2490	0.2488	0.2490	0.2494	0.2496	0.2499	0.2504	0.2507	0.2508
A8	2888K	0.2552	0.2542	0.2537	0.2530	0.2527	0.2526	0.2524	0.2527	0.2530	0.2533	0.2536	0.2542	0.2545	0.2547
A9	2954K	0.2518	0.2507	0.2502	0.2496	0.2493	0.2491	0.2490	0.2492	0.2496	0.2499	0.2502	0.2507	0.2510	0.2511
A10	2962K	0.2516	0.2505	0.2500	0.2493	0.2490	0.2488	0.2486	0.2487	0.2490	0.2492	0.2494	0.2498	0.2501	0.2500
A21	3072K	0.2477	0.2467	0.2463	0.2456	0.2450	0.2448	0.2446	0.2447	0.2450	0.2453	0.2456	0.2459	0.2461	0.2460
A22	2986K	0.2511	0.2501	0.2497	0.2489	0.2485	0.2483	0.2481	0.2483	0.2485	0.2488	0.2491	0.2493	0.2496	0.2496
A23	2971K	0.2519	0.2509	0.2504	0.2497	0.2493	0.2490	0.2488	0.2489	0.2492	0.2494	0.2497	0.2499	0.2502	0.2503
A24	2977K	0.2515	0.2506	0.2500	0.2492	0.2489	0.2487	0.2486	0.2488	0.2492	0.2495	0.2498	0.2499	0.2502	0.2502
A25	3041K	0.2492	0.2481	0.2477	0.2470	0.2465	0.2463	0.2461	0.2463	0.2466	0.2469	0.2472	0.2474	0.2476	0.2477
A26	2986K	0.2514	0.2504	0.2499	0.2492	0.2488	0.2485	0.2483	0.2485	0.2489	0.2491	0.2494	0.2497	0.2497	0.2498
A27	3100K	0.2465	0.2455	0.2451	0.2443	0.2440	0.2437	0.2435	0.2437	0.2440	0.2442	0.2445	0.2447	0.2449	0.2449
A28	2992K	0.2511	0.2501	0.2495	0.2489	0.2485	0.2484	0.2482	0.2485	0.2489	0.2492	0.2495	0.2497	0.2499	0.2499
A29	3056K	0.2485	0.2475	0.2469	0.2462	0.2460	0.2458	0.2457	0.2459	0.2462	0.2465	0.2468	0.2471	0.2472	0.2474
A30	2997K	0.2511	0.2500	0.2494	0.2488	0.2485	0.2485	0.2485	0.2489	0.2493	0.2497	0.2499	0.2502	0.2505	0.2507
A41	3069K	0.2484	0.2474	0.2470	0.2463	0.2460	0.2457	0.2456	0.2458	0.2462	0.2465	0.2468	0.2470	0.2472	0.2473
A42	3048K	0.2495	0.2485	0.2481	0.2475	0.2473	0.2471	0.2470	0.2474	0.2478	0.2482	0.2484	0.2488	0.2491	0.2493
A43	3006K	0.2510	0.2500	0.2495	0.2486	0.2484	0.2482	0.2482	0.2485	0.2489	0.2493	0.2495	0.2498	0.2500	0.2499
A44	3032K	0.2494	0.2485	0.2480	0.2474	0.2471	0.2468	0.2467	0.2468	0.2471	0.2473	0.2475	0.2478	0.2480	0.2480
A45	3073K	0.2481	0.2471	0.2466	0.2460	0.2457	0.2455	0.2454	0.2457	0.2460	0.2463	0.2466	0.2469	0.2471	0.2472



Forward Voltage [V] data for tested units  
**DATASET 13 (LUXEON K): Ts = Tair = 105°C, If = 700mA**  
**Ts ≥ 103°C and Tair ≥ 100°C in compliance with LM-80-08**

	CCT (t=0)	0hrs	24hrs	168hrs	500hrs	1000hrs	2000hrs	3000hrs	4000hrs	5000hrs	6000hrs	7000hrs	8000hrs	9000hrs	10000hrs
A1	3033K	3.150	3.146	3.148	3.225	3.346	3.352	3.354	3.354	3.358	3.356	3.344	3.336	3.341	3.313
A2	2976K	3.181	3.173	3.174	3.293	3.398	3.408	3.410	3.413	3.420	3.416	3.401	3.393	3.390	3.359
A3	3001K	3.264	3.261	3.261	3.392	3.598	3.614	3.610	3.602	3.601	3.587	3.563	3.547	3.551	3.513
A4	3023K	3.182	3.178	3.180	3.305	3.433	3.444	3.448	3.447	3.450	3.442	3.424	3.409	3.407	3.371
A5	3070K	3.190	3.185	3.189	3.350	3.475	3.496	3.505	3.511	3.517	3.511	3.491	3.475	3.470	3.430
A6	2957K	3.206	3.202	3.205	3.332	3.467	3.480	3.480	3.478	3.476	3.470	3.451	3.438	3.439	3.403
A7	2964K	3.306	3.282	3.262	3.305	3.332	3.345	3.345	3.339	3.338	3.333	3.319	3.310	3.311	3.283
A8	2888K	3.120	3.113	3.129	3.336	3.360	3.365	3.357	3.351	3.344	3.334	3.319	3.311	3.312	3.282
A9	2954K	3.105	3.099	3.103	3.253	3.365	3.384	3.387	3.388	3.390	3.390	3.377	3.370	3.371	3.337
A10	2962K	3.269	3.263	3.264	3.323	3.358	3.363	3.363	3.361	3.364	3.361	3.348	3.341	3.345	3.319
A21	3072K	3.242	3.238	3.240	3.317	3.544	3.561	3.567	3.568	3.573	3.565	3.542	3.525	3.525	3.485
A22	2986K	3.175	3.168	3.181	3.283	3.311	3.323	3.322	3.321	3.319	3.313	3.299	3.287	3.291	3.267
A23	2971K	3.153	3.147	3.165	3.340	3.361	3.366	3.368	3.364	3.366	3.361	3.348	3.342	3.342	3.312
A24	2977K	3.152	3.143	3.154	3.320	3.357	3.362	3.360	3.351	3.352	3.348	3.334	3.327	3.328	3.301
A25	3041K	3.224	3.219	3.223	3.375	3.504	3.516	3.515	3.509	3.508	3.496	3.476	3.462	3.464	3.429
A26	2986K	3.182	3.177	3.187	3.312	3.363	3.374	3.374	3.374	3.378	3.377	3.365	3.357	3.359	3.331
A27	3100K	3.176	3.170	3.177	3.394	3.451	3.455	3.448	3.436	3.427	3.414	3.396	3.384	3.385	3.353
A28	2992K	3.132	3.128	3.133	3.290	3.389	3.403	3.406	3.404	3.406	3.401	3.387	3.377	3.377	3.344
A29	3056K	3.271	3.260	3.257	3.316	3.338	3.349	3.347	3.347	3.349	3.346	3.339	3.332	3.335	3.308
A30	2997K	3.152	3.147	3.163	3.394	3.410	3.415	3.405	3.403	3.402	3.398	3.383	3.375	3.376	3.343
A41	3069K	3.095	3.089	3.110	3.343	3.363	3.377	3.387	3.389	3.390	3.390	3.379	3.367	3.365	3.323
A42	3048K	3.268	3.237	3.253	3.290	3.298	3.299	3.299	3.299	3.298	3.297	3.289	3.285	3.286	3.265
A43	3006K	3.223	3.217	3.242	3.664	3.700	3.719	3.717	3.708	3.701	3.688	3.671	3.661	3.662	3.616
A44	3032K	3.255	3.226	3.223	3.232	3.240	3.242	3.242	3.244	3.245	3.246	3.238	3.237	3.242	3.224
A45	3073K	3.331	3.289	3.292	3.307	3.313	3.316	3.316	3.316	3.316	3.312	3.300	3.298	3.299	3.278



**TM-21 Extrapolation of Luminous Flux data for tested units**  
**DATASET 18 (LUXEON K): Ts = Tair = 55°C, If = 1000mA**  
**Ts ≥ 53°C and Tair ≥ 50°C in compliance with LM-80-08**

	CCT (t=0)	alpha	B	L70
A1	3033K	4.8759e-06	1.0102	75,224
A2	3026K	5.7614e-06	1.0225	65,776
A3	3035K	4.9731e-06	1.0051	72,739
A4	3059K	3.6243e-06	1.0041	99,526
A5	3066K	4.6302e-06	1.0029	77,651
A6	2987K	5.5173e-06	1.0061	65,752
A7	3068K	5.5337e-06	1.0158	67,287
A8	3055K	5.5980e-06	1.0057	64,724
A9	3017K	5.7115e-06	1.0043	63,206
A10	3055K	3.6367e-06	1.0067	99,903
A21	3083K	4.9295e-06	1.0057	73,506
A22	3112K	4.9633e-06	1.0045	72,765
A23	3090K	4.5628e-06	1.0097	80,285
A24	3032K	5.6779e-06	1.0116	64,853
A25	3041K	5.1067e-06	1.0050	70,826
A26	3043K	6.0656e-06	1.0092	60,320
A27	3092K	4.9116e-06	1.0056	73,764
A28	3060K	4.4641e-06	1.0069	81,443
A30	3038K	5.5801e-06	1.0161	66,789
A41	3036K	5.0378e-06	0.9957	69,946
A42	3101K	5.1036e-06	1.0010	70,074
A43	3111K	5.2397e-06	0.9892	65,994
A44	3092K	5.8516e-06	1.0011	61,142
A45	3065K	6.7757e-06	1.0146	54,785
A46	3147K	4.4957e-06	0.9900	77,113
ave	3061K	5.1438e-06	1.0060	70,498

**u' data for tested units**  
**DATASET 18 (LUXEON K): Ts = Tair = 55°C, If = 1000mA**  
**Ts ≥ 53°C and Tair ≥ 50°C in compliance with LM-80-08**

	CCT (t=0)	0hrs	24hrs	168hrs	500hrs	1000hrs	2000hrs	3000hrs	4000hrs	5000hrs	6000hrs	7000hrs	8000hrs	9000hrs
A1	3033K	0.2492	0.2480	0.2475	0.2470	0.2465	0.2461	0.2457	0.2457	0.2458	0.2458	0.2459	0.2460	0.2463
A2	3026K	0.2497	0.2485	0.2480	0.2475	0.2469	0.2465	0.2462	0.2462	0.2464	0.2464	0.2465	0.2468	0.2472
A3	3035K	0.2489	0.2477	0.2472	0.2467	0.2462	0.2457	0.2455	0.2454	0.2455	0.2455	0.2456	0.2457	0.2460
A4	3059K	0.2480	0.2467	0.2462	0.2458	0.2453	0.2448	0.2445	0.2444	0.2445	0.2445	0.2445	0.2447	0.2448
A5	3066K	0.2480	0.2468	0.2463	0.2458	0.2452	0.2449	0.2446	0.2446	0.2448	0.2448	0.2450	0.2452	0.2456
A6	2987K	0.2512	0.2500	0.2494	0.2489	0.2484	0.2480	0.2477	0.2477	0.2479	0.2479	0.2481	0.2484	0.2487
A7	3068K	0.2476	0.2464	0.2459	0.2453	0.2448	0.2444	0.2442	0.2442	0.2444	0.2445	0.2447	0.2450	0.2453
A8	3055K	0.2484	0.2471	0.2466	0.2460	0.2455	0.2452	0.2449	0.2449	0.2450	0.2450	0.2452	0.2455	0.2458
A9	3017K	0.2497	0.2485	0.2480	0.2474	0.2469	0.2466	0.2463	0.2462	0.2464	0.2464	0.2465	0.2470	0.2473
A10	3055K	0.2482	0.2470	0.2465	0.2460	0.2455	0.2451	0.2448	0.2448	0.2448	0.2447	0.2448	0.2451	0.2453
A21	3083K	0.2476	0.2464	0.2460	0.2455	0.2449	0.2444	0.2441	0.2440	0.2442	0.2442	0.2443	0.2446	0.2449
A22	3112K	0.2467	0.2456	0.2450	0.2444	0.2439	0.2435	0.2432	0.2432	0.2433	0.2434	0.2436	0.2438	0.2441
A23	3090K	0.2469	0.2457	0.2452	0.2446	0.2440	0.2436	0.2433	0.2432	0.2434	0.2435	0.2437	0.2440	0.2443
A24	3032K	0.2494	0.2482	0.2477	0.2471	0.2465	0.2460	0.2457	0.2457	0.2459	0.2459	0.2461	0.2464	0.2466
A25	3041K	0.2491	0.2478	0.2473	0.2467	0.2461	0.2457	0.2454	0.2453	0.2455	0.2455	0.2456	0.2458	0.2462
A26	3043K	0.2488	0.2476	0.2471	0.2466	0.2459	0.2455	0.2452	0.2451	0.2453	0.2453	0.2453	0.2455	0.2458
A27	3092K	0.2474	0.2462	0.2457	0.2452	0.2447	0.2443	0.2439	0.2439	0.2441	0.2441	0.2442	0.2444	0.2447
A28	3060K	0.2487	0.2475	0.2470	0.2465	0.2460	0.2455	0.2452	0.2451	0.2453	0.2452	0.2453	0.2456	0.2459
A30	3038K	0.2503	0.2491	0.2486	0.2480	0.2474	0.2470	0.2467	0.2466	0.2468	0.2468	0.2469	0.2470	0.2473
A41	3036K	0.2492	0.2480	0.2474	0.2468	0.2463	0.2458	0.2455	0.2455	0.2456	0.2456	0.2457	0.2459	0.2462
A42	3101K	0.2476	0.2464	0.2458	0.2453	0.2448	0.2444	0.2441	0.2442	0.2443	0.2443	0.2444	0.2446	0.2449
A43	3111K	0.2466	0.2454	0.2448	0.2443	0.2439	0.2435	0.2432	0.2433	0.2435	0.2435	0.2438	0.2441	0.2445
A44	3092K	0.2477	0.2465	0.2459	0.2453	0.2448	0.2443	0.2440	0.2440	0.2442	0.2443	0.2446	0.2450	0.2455
A45	3065K	0.2489	0.2477	0.2471	0.2465	0.2460	0.2456	0.2454	0.2455	0.2457	0.2459	0.2463	0.2468	0.2473
A46	3147K	0.2457	0.2445	0.2439	0.2434	0.2429	0.2425	0.2422	0.2421	0.2423	0.2423	0.2425	0.2428	0.2432





**Forward Voltage [V] data for tested units**  
**DATASET 18 (LUXEON K): Ts = Tair = 55°C, If = 1000mA**  
**Ts ≥ 53°C and Tair ≥ 50°C in compliance with LM-80-08**

	CCT (t=0)	0hrs	24hrs	168hrs	500hrs	1000hrs	2000hrs	3000hrs	4000hrs	5000hrs	6000hrs	7000hrs	8000hrs	9000hrs
A1	3033K	3.270	3.263	3.255	3.250	3.245	3.253	3.253	3.260	3.266	3.276	3.271	3.284	3.296
A2	3026K	3.238	3.231	3.223	3.220	3.216	3.226	3.233	3.248	3.263	3.283	3.282	3.305	3.320
A3	3035K	3.296	3.284	3.280	3.274	3.271	3.278	3.283	3.295	3.305	3.319	3.313	3.330	3.340
A4	3059K	3.241	3.233	3.225	3.222	3.214	3.220	3.221	3.229	3.235	3.238	3.232	3.248	3.260
A5	3066K	3.259	3.249	3.244	3.238	3.233	3.241	3.243	3.254	3.259	3.268	3.268	3.286	3.303
A6	2987K	3.300	3.289	3.283	3.278	3.272	3.282	3.285	3.294	3.306	3.317	3.317	3.336	3.356
A7	3068K	3.258	3.247	3.240	3.233	3.232	3.244	3.253	3.273	3.290	3.317	3.321	3.354	3.375
A8	3055K	3.480	3.413	3.389	3.373	3.364	3.366	3.371	3.379	3.381	3.391	3.371	3.386	3.388
A9	3017K	3.287	3.281	3.271	3.266	3.262	3.270	3.273	3.284	3.292	3.302	3.296	3.311	3.319
A10	3055K	3.286	3.277	3.270	3.264	3.261	3.271	3.278	3.294	3.308	3.328	3.334	3.363	3.385
A21	3083K	3.388	3.372	3.365	3.357	3.350	3.359	3.361	3.374	3.384	3.393	3.390	3.412	3.438
A22	3112K	3.305	3.291	3.282	3.280	3.272	3.281	3.284	3.295	3.305	3.315	3.313	3.338	3.356
A23	3090K	3.371	3.359	3.354	3.348	3.344	3.357	3.368	3.386	3.409	3.437	3.449	3.486	3.509
A24	3032K	3.265	3.258	3.250	3.246	3.240	3.249	3.251	3.262	3.271	3.277	3.279	3.297	3.309
A25	3041K	3.423	3.386	3.372	3.361	3.355	3.366	3.371	3.381	3.385	3.394	3.380	3.396	3.399
A26	3043K	3.245	3.234	3.228	3.223	3.219	3.231	3.240	3.255	3.269	3.287	3.288	3.307	3.318
A27	3092K	3.333	3.321	3.314	3.306	3.302	3.312	3.316	3.330	3.343	3.356	3.359	3.388	3.413
A28	3060K	3.272	3.257	3.254	3.248	3.249	3.258	3.269	3.292	3.309	3.335	3.344	3.381	3.401
A30	3038K	3.198	3.191	3.183	3.181	3.179	3.191	3.203	3.223	3.239	3.266	3.274	3.301	3.314
A41	3036K	3.388	3.360	3.325	3.304	3.287	3.281	3.277	3.281	3.282	3.282	3.277	3.286	3.291
A42	3101K	3.334	3.323	3.317	3.312	3.310	3.324	3.335	3.360	3.383	3.407	3.427	3.469	3.495
A43	3111K	3.391	3.335	3.312	3.297	3.288	3.288	3.288	3.295	3.295	3.298	3.289	3.299	3.303
A44	3092K	3.374	3.323	3.303	3.291	3.283	3.282	3.281	3.287	3.287	3.288	3.281	3.290	3.296
A45	3065K	3.228	3.210	3.202	3.193	3.190	3.196	3.196	3.206	3.213	3.217	3.215	3.230	3.242
A46	3147K	3.518	3.403	3.371	3.350	3.343	3.343	3.345	3.351	3.353	3.356	3.346	3.358	3.361



**TM-21 Extrapolation of Luminous Flux data for tested units**  
**DATASET 17 (LUXEON K): Ts = Tair = 85°C, If = 1000mA**  
**Ts ≥ 83°C and Tair ≥ 80°C in compliance with LM-80-08**

	CCT (t=0)	alpha	B	L70
A1	3144K	7.2760e-06	0.9977	48,699
A2	3037K	7.7764e-06	0.9939	45,080
A3	3025K	7.2424e-06	0.9905	47,928
A4	3077K	9.0606e-06	1.0365	43,321
A5	3023K	7.9674e-06	1.0015	44,955
A6	3018K	6.4060e-06	0.9896	54,041
A7	3083K	5.8906e-06	0.9928	59,329
A8	3121K	7.7743e-06	0.9985	45,680
A9	3007K	7.9927e-06	1.0101	45,884
A10	3031K	6.6721e-06	0.9959	52,837
A21	3011K	5.7241e-06	0.9860	59,841
A22	2985K	6.4342e-06	1.0071	56,537
A23	3014K	5.9744e-06	0.9997	59,649
A24	3088K	6.1340e-06	0.9978	57,787
A25	3059K	5.3155e-06	0.9918	65,552
A26	2996K	5.1094e-06	0.9918	68,204
A27	2982K	5.4822e-06	0.9873	62,736
A28	2993K	5.5026e-06	0.9834	61,772
A29	3061K	5.8905e-06	1.0075	61,813
A30	2988K	5.1352e-06	0.9924	67,974
A41	3139K	7.7988e-06	1.0048	46,351
A43	3150K	6.8546e-06	0.9927	50,968
A44	3130K	5.7120e-06	0.9941	61,402
A45	3086K	6.5473e-06	0.9779	51,069
A46	3074K	6.7925e-06	0.9876	50,666
ave	3052K	6.5782e-06	0.9963	53,662

**u' data for tested units**  
**DATASET 17 (LUXEON K): Ts = Tair = 85°C, If = 1000mA**  
**Ts ≥ 83°C and Tair ≥ 80°C in compliance with LM-80-08**

	CCT (t=0)	0hrs	24hrs	168hrs	500hrs	1000hrs	2000hrs	3000hrs	4000hrs	5000hrs	6000hrs	7000hrs	8000hrs	9000hrs
A1	3144K	0.2458	0.2445	0.2440	0.2434	0.2430	0.2428	0.2425	0.2427	0.2432	0.2436	0.2439	0.2443	0.2447
A2	3037K	0.2487	0.2475	0.2470	0.2463	0.2459	0.2457	0.2456	0.2457	0.2462	0.2466	0.2468	0.2475	0.2478
A3	3025K	0.2498	0.2483	0.2478	0.2471	0.2467	0.2465	0.2463	0.2464	0.2469	0.2472	0.2475	0.2477	0.2479
A4	3077K	0.2493	0.2482	0.2476	0.2470	0.2466	0.2464	0.2461	0.2462	0.2468	0.2472	0.2475	0.2482	0.2487
A5	3023K	0.2506	0.2494	0.2488	0.2481	0.2477	0.2475	0.2473	0.2475	0.2481	0.2486	0.2487	0.2491	0.2495
A6	3018K	0.2504	0.2491	0.2485	0.2480	0.2475	0.2474	0.2473	0.2476	0.2482	0.2486	0.2486	0.2490	0.2491
A7	3083K	0.2474	0.2462	0.2456	0.2451	0.2447	0.2444	0.2443	0.2445	0.2450	0.2455	0.2456	0.2462	0.2464
A8	3121K	0.2464	0.2453	0.2447	0.2441	0.2437	0.2435	0.2433	0.2435	0.2442	0.2445	0.2446	0.2453	0.2456
A9	3007K	0.2514	0.2501	0.2494	0.2489	0.2484	0.2481	0.2481	0.2483	0.2490	0.2495	0.2495	0.2502	0.2505
A10	3031K	0.2492	0.2480	0.2474	0.2467	0.2463	0.2460	0.2459	0.2460	0.2465	0.2468	0.2470	0.2471	0.2472
A21	3011K	0.2503	0.2491	0.2485	0.2480	0.2475	0.2473	0.2470	0.2471	0.2475	0.2478	0.2480	0.2483	0.2486
A22	2985K	0.2510	0.2498	0.2492	0.2486	0.2481	0.2478	0.2477	0.2480	0.2484	0.2489	0.2490	0.2492	0.2496
A23	3014K	0.2500	0.2488	0.2482	0.2478	0.2473	0.2470	0.2469	0.2472	0.2476	0.2480	0.2481	0.2483	0.2488
A24	3088K	0.2474	0.2462	0.2457	0.2451	0.2445	0.2443	0.2442	0.2445	0.2449	0.2452	0.2455	0.2456	0.2460
A25	3059K	0.2477	0.2466	0.2461	0.2455	0.2450	0.2448	0.2447	0.2448	0.2453	0.2456	0.2458	0.2459	0.2461
A26	2996K	0.2510	0.2498	0.2492	0.2486	0.2481	0.2480	0.2479	0.2481	0.2486	0.2490	0.2491	0.2492	0.2495
A27	2982K	0.2513	0.2500	0.2494	0.2489	0.2485	0.2484	0.2484	0.2487	0.2492	0.2495	0.2496	0.2497	0.2502
A28	2993K	0.2511	0.2500	0.2493	0.2487	0.2483	0.2482	0.2482	0.2485	0.2490	0.2492	0.2493	0.2495	0.2500
A29	3061K	0.2486	0.2475	0.2469	0.2462	0.2456	0.2454	0.2453	0.2456	0.2461	0.2465	0.2466	0.2468	0.2472
A30	2988K	0.2515	0.2503	0.2497	0.2491	0.2486	0.2484	0.2483	0.2484	0.2489	0.2493	0.2494	0.2496	0.2499
A41	3139K	0.2463	0.2451	0.2445	0.2439	0.2435	0.2433	0.2433	0.2435	0.2440	0.2445	0.2446	0.2452	0.2457
A43	3150K	0.2451	0.2441	0.2435	0.2430	0.2426	0.2424	0.2424	0.2425	0.2429	0.2433	0.2435	0.2440	0.2443
A44	3130K	0.2463	0.2451	0.2446	0.2440	0.2436	0.2433	0.2432	0.2434	0.2437	0.2441	0.2444	0.2446	0.2452
A45	3086K	0.2482	0.2471	0.2463	0.2459	0.2456	0.2457	0.2460	0.2464	0.2470	0.2475	0.2473	0.2478	0.2481
A46	3074K	0.2487	0.2476	0.2469	0.2463	0.2460	0.2459	0.2460	0.2462	0.2468	0.2473	0.2473	0.2479	0.2482



**Forward Voltage [V] data for tested units**  
**DATASET 17 (LUXEON K): Ts = Tair = 85°C, If = 1000mA**  
**Ts ≥ 83°C and Tair ≥ 80°C in compliance with LM-80-08**

	CCT (t=0)	0hrs	24hrs	168hrs	500hrs	1000hrs	2000hrs	3000hrs	4000hrs	5000hrs	6000hrs	7000hrs	8000hrs	9000hrs
A1	3144K	3.374	3.352	3.329	3.324	3.314	3.333	3.351	3.360	3.374	3.378	3.368	3.383	3.390
A2	3037K	3.400	3.382	3.345	3.330	3.316	3.327	3.339	3.348	3.360	3.363	3.354	3.362	3.370
A3	3025K	3.550	3.522	3.475	3.464	3.459	3.480	3.497	3.503	3.517	3.520	3.507	3.517	3.521
A4	3077K	3.234	3.219	3.215	3.224	3.234	3.311	3.415	3.445	3.462	3.467	3.454	3.462	3.469
A5	3023K	3.193	3.187	3.179	3.182	3.182	3.214	3.261	3.314	3.334	3.338	3.330	3.336	3.339
A6	3018K	3.407	3.385	3.363	3.356	3.351	3.380	3.400	3.411	3.425	3.430	3.419	3.427	3.434
A7	3083K	3.433	3.415	3.392	3.388	3.387	3.421	3.438	3.445	3.462	3.465	3.454	3.463	3.467
A8	3121K	3.244	3.239	3.231	3.239	3.251	3.328	3.401	3.417	3.436	3.441	3.433	3.438	3.442
A9	3007K	3.408	3.371	3.351	3.349	3.359	3.403	3.427	3.437	3.457	3.464	3.457	3.467	3.471
A10	3031K	3.523	3.505	3.470	3.464	3.459	3.487	3.499	3.509	3.527	3.530	3.515	3.522	3.523
A21	3011K	3.477	3.446	3.406	3.418	3.444	3.463	3.478	3.480	3.491	3.495	3.486	3.497	3.504
A22	2985K	3.328	3.319	3.314	3.354	3.500	3.557	3.572	3.565	3.578	3.583	3.570	3.583	3.593
A23	3014K	3.311	3.302	3.296	3.328	3.462	3.532	3.554	3.553	3.565	3.572	3.561	3.576	3.586
A24	3088K	3.414	3.405	3.398	3.463	3.614	3.636	3.651	3.650	3.660	3.661	3.647	3.660	3.666
A25	3059K	3.235	3.228	3.224	3.265	3.412	3.443	3.457	3.459	3.467	3.472	3.459	3.468	3.471
A26	2996K	3.230	3.224	3.220	3.277	3.441	3.458	3.469	3.470	3.475	3.475	3.460	3.472	3.474
A27	2982K	3.263	3.252	3.248	3.300	3.423	3.441	3.450	3.451	3.456	3.458	3.446	3.454	3.452
A28	2993K	3.338	3.334	3.328	3.390	3.431	3.449	3.457	3.459	3.467	3.470	3.457	3.468	3.469
A29	3061K	3.381	3.372	3.367	3.447	3.633	3.655	3.666	3.671	3.684	3.687	3.673	3.687	3.684
A30	2988K	3.282	3.271	3.263	3.295	3.388	3.449	3.457	3.467	3.477	3.482	3.472	3.489	3.488
A41	3139K	3.463	3.393	3.368	3.379	3.383	3.387	3.390	3.391	3.390	3.392	3.382	3.388	3.394
A43	3150K	3.382	3.349	3.319	3.335	3.353	3.370	3.380	3.386	3.390	3.395	3.389	3.396	3.405
A44	3130K	3.217	3.210	3.207	3.248	3.325	3.339	3.352	3.355	3.359	3.361	3.354	3.361	3.368
A45	3086K	3.539	3.428	3.397	3.413	3.423	3.430	3.437	3.443	3.447	3.452	3.445	3.456	3.463
A46	3074K	3.510	3.411	3.382	3.397	3.404	3.413	3.417	3.424	3.429	3.432	3.425	3.436	3.443



**TM-21 Extrapolation of Luminous Flux data for tested units**  
**DATASET 16 (LUXEON K): Ts = Tair = 105°C, If = 1000mA**  
**Ts ≥ 103°C and Tair ≥ 100°C in compliance with LM-80-08**

	CCT (t=0)	alpha	B	L70
A1	3005K	5.3002e-06	0.9707	61,680
A2	3049K	1.0803e-05	0.9602	29,261
A3	3112K	8.7368e-06	0.9801	38,519
A4	3074K	1.0613e-05	0.9877	32,438
A5	3079K	6.4310e-06	0.9749	51,508
A6	3014K	6.7646e-06	0.9608	46,815
A7	3130K	9.6619e-06	0.9751	34,306
A8	3034K	1.0543e-05	0.9715	31,089
A9	2992K	1.2041e-05	0.9900	28,785
A10	3032K	5.1117e-06	0.9522	60,196
A21	3069K	5.4127e-06	0.9758	61,372
A22	2977K	7.1894e-06	0.9822	47,115
A23	3104K	5.3945e-06	0.9591	58,384
A24	2987K	6.3714e-06	0.9533	48,470
A25	2998K	5.3354e-06	0.9668	60,526
A26	3033K	5.8788e-06	0.9610	53,898
A27	3057K	1.0035e-05	0.9659	32,086
A28	3015K	9.4551e-06	0.9651	33,962
A29	3019K	6.1310e-06	0.9575	51,086
A30	3097K	4.4293e-06	0.9621	71,809
A41	3086K	3.7678e-06	0.9436	79,258
A42	3147K	9.7277e-06	0.9686	33,387
A43	3122K	5.2019e-06	0.9607	60,851
A44	3123K	1.0639e-05	0.9689	30,559
A45	3112K	7.9716e-06	0.9656	40,357
ave	3058K	7.5327e-06	0.9670	42,902

**u' data for tested units**  
**DATASET 16 (LUXEON K): Ts = Tair = 105°C, If = 1000mA**  
**Ts ≥ 103°C and Tair ≥ 100°C in compliance with LM-80-08**

	CCT (t=0)	0hrs	24hrs	168hrs	500hrs	1000hrs	2000hrs	3000hrs	4000hrs	5000hrs	6000hrs	7000hrs	8000hrs	9000hrs
A1	3005K	0.2506	0.2496	0.2491	0.2487	0.2484	0.2485	0.2488	0.2493	0.2495	0.2498	0.2497	0.2500	0.2504
A2	3049K	0.2487	0.2469	0.2462	0.2459	0.2457	0.2457	0.2459	0.2463	0.2466	0.2469	0.2468	0.2471	0.2477
A3	3112K	0.2458	0.2447	0.2440	0.2436	0.2435	0.2438	0.2442	0.2447	0.2450	0.2454	0.2452	0.2458	0.2469
A4	3074K	0.2479	0.2468	0.2462	0.2458	0.2457	0.2462	0.2466	0.2472	0.2475	0.2482	0.2478	0.2490	0.2501
A5	3079K	0.2474	0.2461	0.2455	0.2451	0.2450	0.2454	0.2458	0.2463	0.2465	0.2470	0.2467	0.2472	0.2477
A6	3014K	0.2501	0.2489	0.2482	0.2478	0.2479	0.2485	0.2490	0.2494	0.2495	0.2501	0.2498	0.2503	0.2510
A7	3130K	0.2457	0.2446	0.2440	0.2437	0.2440	0.2451	0.2453	0.2457	0.2456	0.2464	0.2459	0.2469	0.2486
A8	3034K	0.2496	0.2485	0.2478	0.2472	0.2472	0.2478	0.2483	0.2488	0.2491	0.2497	0.2493	0.2504	0.2515
A9	2992K	0.2515	0.2503	0.2496	0.2490	0.2493	0.2503	0.2508	0.2514	0.2518	0.2528	0.2520	0.2537	0.2552
A10	3032K	0.2493	0.2481	0.2475	0.2471	0.2471	0.2478	0.2483	0.2488	0.2489	0.2495	0.2489	0.2494	0.2502
A21	3069K	0.2484	0.2473	0.2467	0.2462	0.2461	0.2463	0.2464	0.2469	0.2471	0.2475	0.2474	0.2477	0.2480
A22	2977K	0.2522	0.2511	0.2506	0.2502	0.2499	0.2500	0.2502	0.2507	0.2510	0.2514	0.2513	0.2515	0.2518
A23	3104K	0.2462	0.2451	0.2444	0.2440	0.2440	0.2446	0.2450	0.2453	0.2454	0.2457	0.2456	0.2459	0.2462
A24	2987K	0.2511	0.2500	0.2494	0.2491	0.2492	0.2499	0.2503	0.2508	0.2509	0.2515	0.2510	0.2517	0.2521
A25	2998K	0.2503	0.2492	0.2486	0.2480	0.2479	0.2483	0.2488	0.2492	0.2493	0.2497	0.2494	0.2498	0.2501
A26	3033K	0.2493	0.2483	0.2476	0.2471	0.2473	0.2481	0.2486	0.2490	0.2490	0.2496	0.2491	0.2496	0.2500
A27	3057K	0.2482	0.2471	0.2464	0.2461	0.2463	0.2471	0.2476	0.2482	0.2487	0.2495	0.2490	0.2503	0.2513
A28	3015K	0.2496	0.2485	0.2479	0.2475	0.2477	0.2486	0.2491	0.2497	0.2503	0.2510	0.2506	0.2518	0.2527
A29	3019K	0.2492	0.2481	0.2473	0.2469	0.2470	0.2476	0.2481	0.2486	0.2486	0.2491	0.2488	0.2491	0.2495
A30	3097K	0.2471	0.2461	0.2455	0.2452	0.2452	0.2457	0.2461	0.2467	0.2468	0.2473	0.2469	0.2473	0.2476
A41	3086K	0.2484	0.2472	0.2465	0.2462	0.2465	0.2475	0.2480	0.2486	0.2484	0.2490	0.2482	0.2487	0.2496
A42	3147K	0.2453	0.2443	0.2436	0.2433	0.2433	0.2438	0.2442	0.2448	0.2452	0.2459	0.2453	0.2466	0.2474
A43	3122K	0.2468	0.2458	0.2452	0.2448	0.2446	0.2449	0.2453	0.2458	0.2462	0.2466	0.2464	0.2468	0.2470
A44	3123K	0.2466	0.2456	0.2450	0.2445	0.2446	0.2454	0.2460	0.2467	0.2472	0.2482	0.2475	0.2491	0.2499
A45	3112K	0.2466	0.2456	0.2449	0.2445	0.2445	0.2449	0.2453	0.2459	0.2462	0.2468	0.2464	0.2472	0.2478





**Forward Voltage [V] data for tested units**  
**DATASET 16 (LUXEON K): Ts = Tair = 105°C, If = 1000mA**  
**Ts ≥ 103°C and Tair ≥ 100°C in compliance with LM-80-08**

	CCT (t=0)	0hrs	24hrs	168hrs	500hrs	1000hrs	2000hrs	3000hrs	4000hrs	5000hrs	6000hrs	7000hrs	8000hrs	9000hrs
A1	3005K	3.198	3.193	3.191	3.245	3.391	3.398	3.407	3.412	3.413	3.418	3.412	3.428	3.440
A2	3049K	3.538	3.501	3.487	3.565	3.589	3.584	3.588	3.587	3.583	3.590	3.574	3.586	3.596
A3	3112K	3.223	3.219	3.221	3.326	3.482	3.476	3.480	3.477	3.478	3.479	3.467	3.481	3.488
A4	3074K	3.373	3.355	3.345	3.410	3.458	3.460	3.467	3.472	3.474	3.476	3.464	3.478	3.487
A5	3079K	3.434	3.421	3.418	3.491	3.534	3.526	3.519	3.513	3.513	3.509	3.494	3.503	3.511
A6	3014K	3.363	3.359	3.367	3.510	3.560	3.547	3.536	3.525	3.522	3.513	3.498	3.510	3.513
A7	3130K	3.440	3.413	3.417	3.515	3.539	3.514	3.500	3.488	3.482	3.476	3.458	3.467	3.474
A8	3034K	3.428	3.423	3.441	3.536	3.562	3.539	3.523	3.515	3.510	3.504	3.488	3.498	3.505
A9	2992K	3.386	3.362	3.367	3.485	3.520	3.527	3.531	3.534	3.534	3.542	3.526	3.537	3.553
A10	3032K	3.194	3.191	3.191	3.289	3.452	3.455	3.458	3.459	3.461	3.462	3.447	3.466	3.477
A21	3069K	3.332	3.328	3.432	3.576	3.591	3.566	3.544	3.525	3.516	3.510	3.495	3.507	3.506
A22	2977K	3.458	3.425	3.454	3.523	3.546	3.523	3.511	3.500	3.506	3.505	3.496	3.506	3.510
A23	3104K	3.392	3.388	3.548	3.671	3.682	3.624	3.596	3.582	3.580	3.574	3.560	3.569	3.571
A24	2987K	3.504	3.446	3.466	3.493	3.494	3.473	3.460	3.453	3.452	3.453	3.440	3.447	3.449
A25	2998K	3.327	3.321	3.399	3.664	3.677	3.638	3.618	3.605	3.598	3.596	3.582	3.591	3.595
A26	3033K	3.395	3.389	3.558	3.786	3.797	3.745	3.728	3.718	3.721	3.715	3.704	3.717	3.723
A27	3057K	3.217	3.212	3.465	3.568	3.563	3.500	3.482	3.471	3.465	3.461	3.445	3.453	3.458
A28	3015K	3.245	3.239	3.478	3.611	3.605	3.539	3.518	3.506	3.502	3.496	3.482	3.492	3.496
A29	3019K	3.306	3.299	3.470	3.594	3.604	3.555	3.530	3.519	3.520	3.516	3.502	3.512	3.515
A30	3097K	3.427	3.390	3.443	3.470	3.471	3.446	3.436	3.432	3.433	3.432	3.419	3.426	3.431
A41	3086K	3.292	3.282	3.418	3.494	3.492	3.477	3.471	3.465	3.458	3.459	3.446	3.451	3.453
A42	3147K	3.422	3.377	3.409	3.456	3.467	3.443	3.426	3.415	3.407	3.405	3.393	3.400	3.399
A43	3122K	3.351	3.317	3.332	3.351	3.350	3.343	3.339	3.340	3.338	3.339	3.330	3.334	3.337
A44	3123K	3.215	3.206	3.320	3.476	3.481	3.458	3.449	3.442	3.433	3.432	3.420	3.424	3.426
A45	3112K	3.339	3.320	3.365	3.422	3.432	3.411	3.395	3.385	3.379	3.376	3.366	3.372	3.371

## Company Information

Philips Lumileds is a leading provider of power LEDs for everyday lighting applications. The company's records for light output, efficacy and thermal management are direct results of the ongoing commitment to advancing solid-state lighting technology and enabling lighting solutions that are more environmentally friendly, help reduce CO2 emissions and reduce the need for power plant expansion. Philips Lumileds LUXEON LEDs are enabling never before possible applications in outdoor lighting, shop lighting, home lighting, digital imaging, display and automotive lighting.

Philips Lumileds is a fully integrated supplier, producing core LED material in all three base colors, (red, green, blue) and white. Philips Lumileds has R & D centers in San Jose, California and in the Netherlands, and production capabilities in San Jose, Singapore and Penang, Malaysia. Founded in 1999, Philips Lumileds is the high flux LED technology leader and is dedicated to bridging the gap between solid-state technology and the lighting world. More information about the company's LUXEON LED products and solid-state lighting technologies can be found at [www.philipslumileds.com](http://www.philipslumileds.com).