

F601AL • INCANDESCENT

6" INCANDESCENT HOUSING

PROJECT INFORMATION

Type

Project

Catalog #

Lamp/Wattage

Notes

CONSTRUCTION

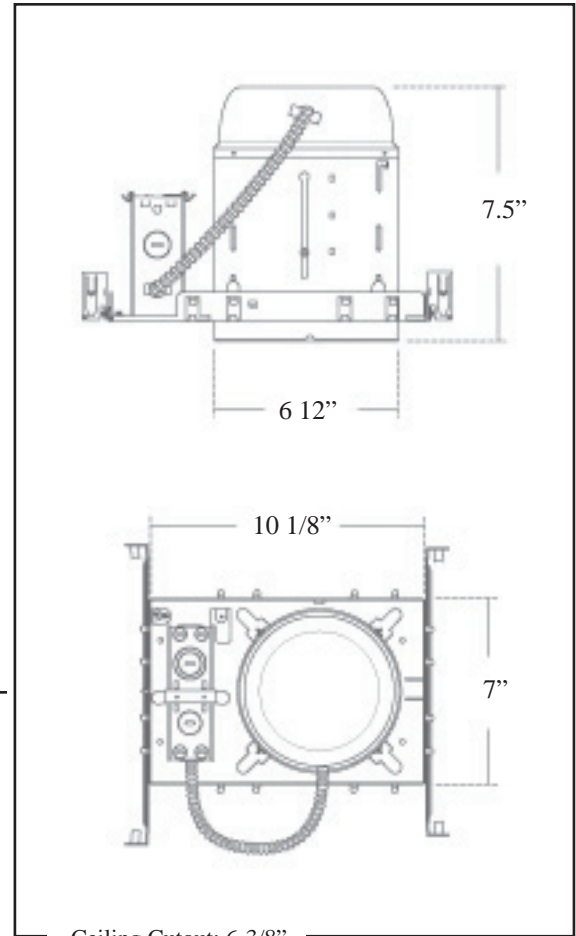
Socket Plate • Galvanized steel socket plate adjusts inside housing for optimum light performance. A standard single medium base porcelain socket with a protective cap that comes pre-inserted to protect the socket interior during the construction phase.

Housing • .041 steel housing adjusts to maximum ceiling thickness 1 3/4" (45mm) High quality galvanized steel plaster frame.

Junction Box • Galvanized steel with five 1/2" and two 3/4" knockouts and four true romex pryouts. Strain clamps and ground wire.

Thermal Protector • Equipped with safety standard UL thermal protector rated for 90°C.

Mounting • Supplied with two nail-less bar hangers adjustable from 14 to 24" with 90° repositioning feature.



Energy Efficient:

The F601AL fully gasketed, energy efficient air-tight design prevents air-flow from air conditioned or heated spaces. Globe air-tight energy efficient recessed lighting is the ideal alternative for controlling escalating energy cost.

Ordering Information

Item Number	Description
F601AL	IC Airtight 90W Max

Aperture: Nominal 6"

Ceiling Cutout: 6-3/8"

Maximum Ceiling Thickness: 1-3/4"

Maximum Wattage: 90W BR40

Codes

- Rated for direct contact with insulation
- WSEC approved housing for restricted airflow
- UL listed for through branch circuit wiring
- UL listed for damp locations

Catalog Number: _____

Notes: _____