

F601AL2E26E120

6" Vertical Fluorescent
IC Air-Tight New Construction

HOUSING

.041 steel housing adjust to maximum ceiling thickness 1 3/4" (45 mm). High quality galvanized steel plaster frame.

JUNCTION BOX

Galvanized Steel with five 1/2" and two 3/4" knockouts and four true romex pryouts. Strain clamps and ground wire.



ELECTRONIC BALLAST

26 Multi-Volt Class P Ballast equipped with inherent thermal protection. Noise and flicker free operation.

MOUNTING

Supplied with two bar hangers with pre-installed captive nails for fast installation, adjustable from 14" to 24".

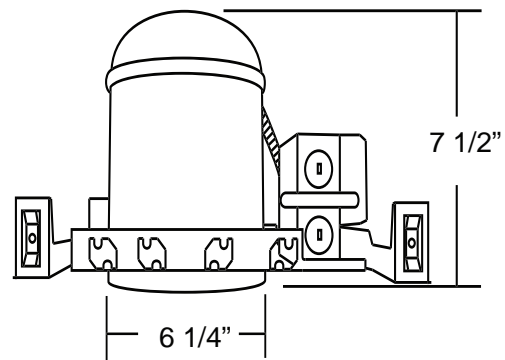
Aperture: Nominal 6 1/4"

Ceiling Cutout: 6 3/8"

Maximum Ceiling Thickness: 1 3/4"

Maximum Wattage: 1 - 26 W or 1- 32W

Dimensions



Trim Options

CODES

- Rated for direct contact with insulation
- WSEC approved housing for restricted airflow
- ETL Listed for through branch circuit wiring
- cETL Listed for damp locations



FV625W



FV637W



F638C



FV638W

Ordering information

Item Number	Description	Lamping
HOUSING		
F601AL2E26E120	6" Vertical IC Airtite New Construction, Resi Electronic Ballast 120V	26W [DTT or TRT] 4-Pin
F601AL21332MV	6" Vertical IC Airtite New Construction, Multi-Volt Electronic Ballast	32W MAX [DTT or TRT] 4-Pin
REFLECTORS		
FV625W	6" Frosted Lens w/Cone Reflector	26W MAX* [DTT or TRT] 4-Pin
FV637W	6" Wall Wash Trim w/Eyelid	32W MAX* [DTT or TRT] 4-Pin
F638C	6" Clear Reflector Trim	32W MAX* [DTT or TRT] 4-Pin
FV638W	6" White Trim Airtite	32W MAX* [DTT or TRT] 4-Pin

*Maximum wattage based on housing.

Catalog Number:
Notes: