

PLIN Series

Low Profile Linear Lighting



FEATURES & SPECIFICATIONS

INTENDED USE

The PLIN Series is a subtle low-profile ellipsoidal pendant luminaire with 60% uplight and 40% downlight. Available in 96" and 48" modular lengths for individual or row configurations. For cable mounting only. End caps can be added to beginning of row, end of row or both ends of individual units. For continuous row mounting, wiring (supplied with fixture) feeds through enclosed wireway. Sleek, compact, and low profile bullnose silhouette makes a dynamic design statement used individually or in graceful linear runs. When suspended, the Low Profile appears to float in the environment. Ideal for settings requiring generous overall illumination as well controlled task lighting with the direct/indirect distributions.

SIZE W x L x H in inches (mm)

4ft. - 10.8" x 48" x 3.5"

8ft. - 10.8" x 96" x 3.5"

LAMP

2, 3, 4, or 6 lamp positions

CONSTRUCTION

Rugged steel housing with anti-rust protection powder coated white. Custom paint finishes available.

ENDCAPS

Molded multicavity ABS white plastic.

MOUNTING

Mount with 4' adjustable cable (2 for 4' unit or 8' unit, included). Consult factory for longer cables.

BAFFLE

Low iridescence semi-specular aluminum parabolic louvers provides a wide bat wing distribution and allows wide spacing of fixtures that reduce brightness contrasts on the ceiling, assuring a comfortable environment.

LISTING

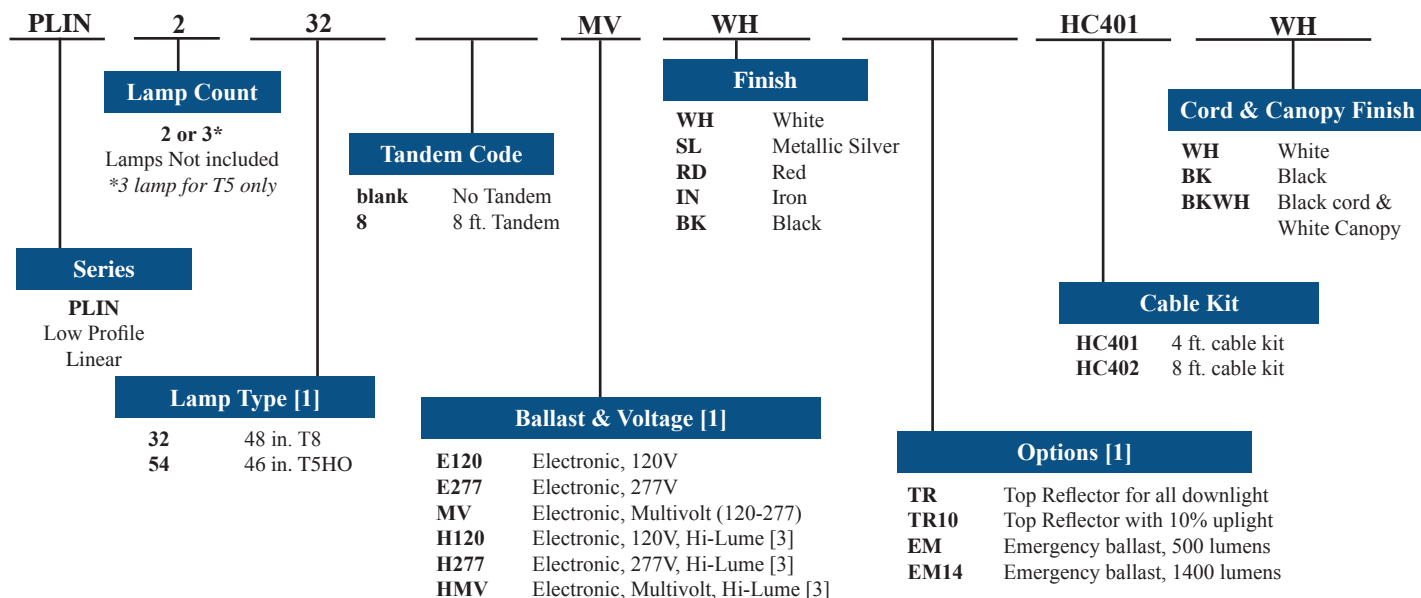
UL and CUL Listed

TYPICAL OPTIONS AND ACCESSORIES

Emergency ballasts, Cord sets, whips, occupancy sensors Hanging kits, Wire guards. Contact factory for additional options.

ORDERING INFORMATION

Example: PLIN232MVWH-HC401WH



Note: EM14 required for T5HO lamps

Notes

[1] See end of T02LINEAR for many additional lamps, ballasts, finishes, and options.

[2] Custom louvers available in any cell configuration. Consult factory for additional information.

[3] HiLume and LoLume ballasts available for T8 lamps only.

Catalog Number:

Notes:

PLIN Series

Low Profile Linear Lighting



DIMENSIONS

All dimensions are inches. Specifications subject to change without notice.

