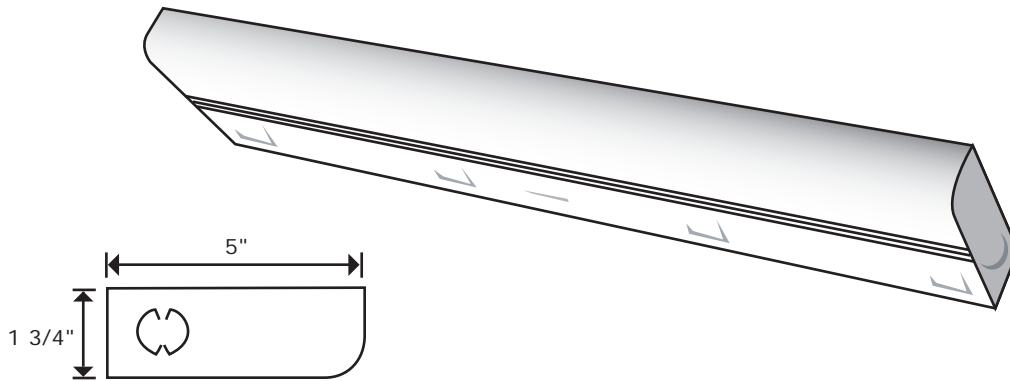


Wall Mount Series UCL



FEATURES & SPECIFICATIONS

Attributes

Wrap around diffuser of smooth white styrene snaps in or out for easy relamping. The UCL is available in white or walnut finish.

Listing

Fixtures conform to Underwriters' Laboratories standards for production and are carefully tested prior to packing.

ORDERING INFORMATION

SERIES UCL			ELECTRONIC	
Part Number	Bulb	Size	Part Number	Bulb
UCL 115S	1-F15T8	18" X 5" X 1-3/4"	UCL 115E120*	1-F15T8
UCL 120S	1-F20T12	24" X 5" X 1-3/4"	UCL 117E120*	1-F17T8
UCL 130S	1-F30T12	36" X 5" X 1-3/4"	UCL 125E120*	1-F25T8
UCL 140S	1-F40T12	48" X 5" X 1-3/4"	UCL 132E120*	1-F32T8

*For 277 Volt or Multivolt replace "E120" with "E277" or "MV"