

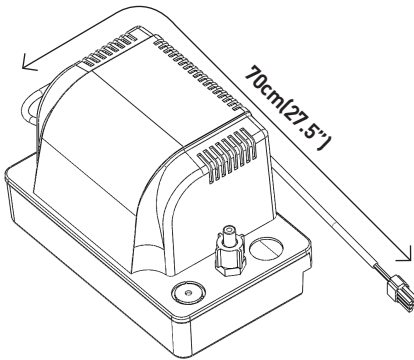


# Portable Air Conditioners Condensate Pump Kit

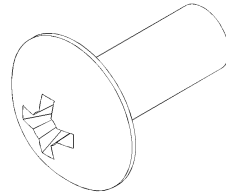
Models: 700870, 700875, 700877

User's & Installation Manual

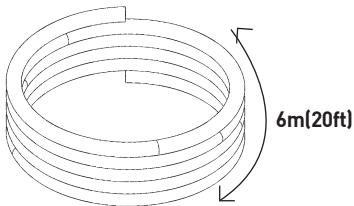
## Component Parts



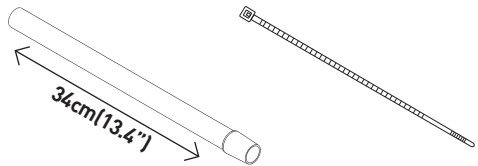
**Figure 1 – condensate pump**



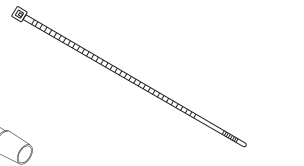
**Figure 2 – bolt two piece**



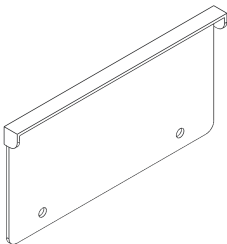
**Figure 3 – hose.01**



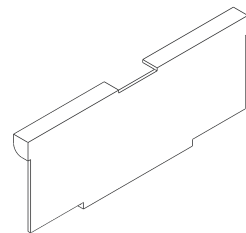
**Figure 4 – hose.02**



**Figure 4-A – cable tie**

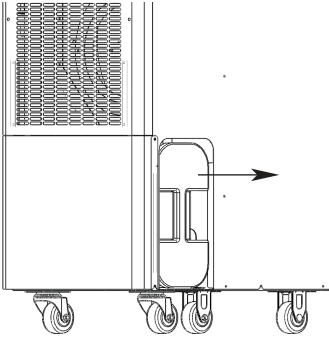


**Figure 5 – condensate pump clamp part.01**



**Figure 6 – condensate pump clamp part.02**

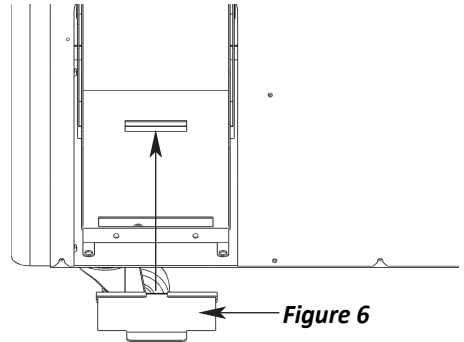
## ASSEMBLY



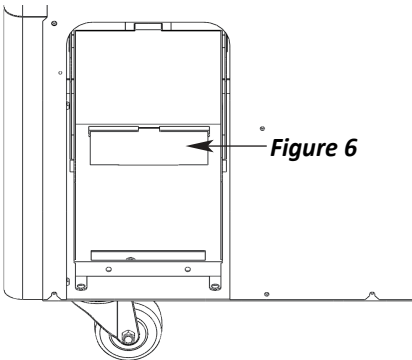
*Figure 7 – Front and Right Side View*

1. Turn off the air conditioner.
2. Remove the water tank.

1. Install the condensate pump clamp part2 (figure 6) on the hole of condensate pump guide  
**NOTE:** Confirm the direction is correct

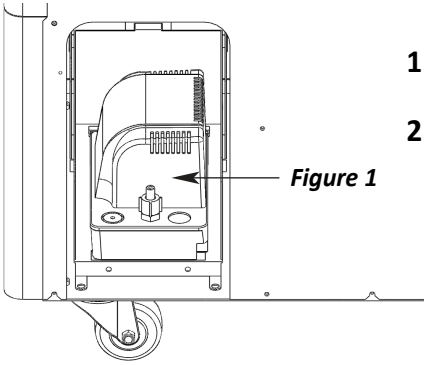


*Figure 8 – Right Side View*



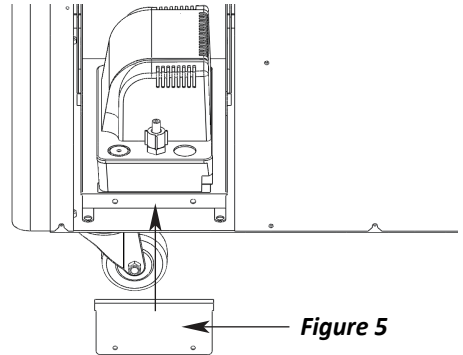
*Figure 9 – Right Side View*

1. After install the condensate pump clamp part2, confirm it is same as Figure 6



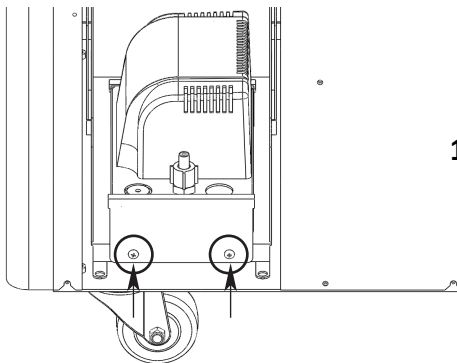
**Figure 10 – Right Side View**

1. Install the condensate pump (figure 1) onto the condensate pump guide.
2. Confirm the condensate pump clamp part2 (figure 6) is positioned properly.



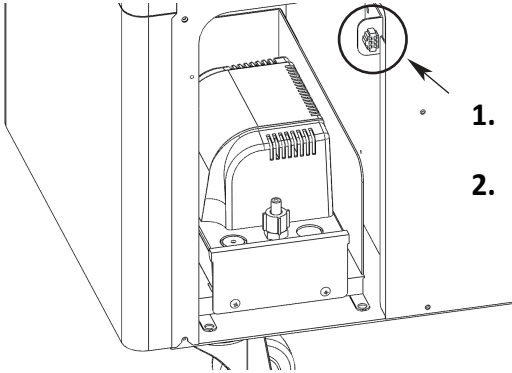
**Figure 11 – Right Side View**

1. Install the condensate pump clamp part1 (figure 5) onto the condensate pump
2. Confirm it is installed as same as figure 12.



**Figure 12 – Right Side View**

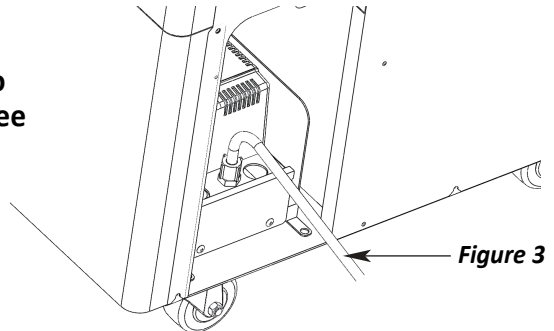
1. Tighten 2 Screws using a screwdriver.



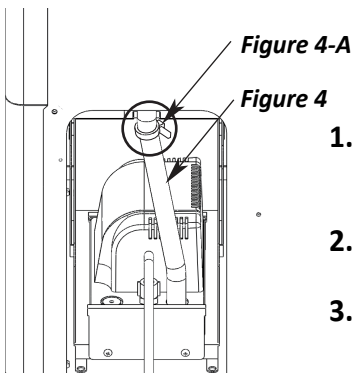
1. Remove the cap on the terminal in the Figure 13.
2. Connect the wire of the condensate pump to the terminal.

**Figure 13 – Right Side View**

1. Connect the hose1 (figure 3) to the condensate pump as you see in the Figure 14.



**Figure 14 – Right Side View**



1. Connect the hose2 (figure 4) between the condensate pump and upper drain pipe as you see in the Figure 15.
2. Tighten the cable tie (figure 4-A) on the upper part of the hose.02
3. Turn on the air conditioner then condensate pump operates automatically.

**Figure 15 – Right Side View**