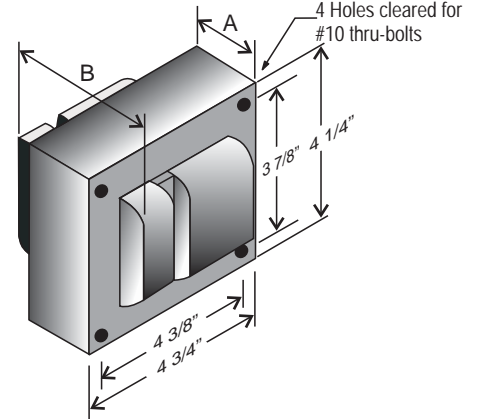


CATALOG NUMBER: E-SCA00W430 FOR ONE 430 WATT, S145 HIGH PRESSURE SODIUM LAMP

| | |
|-----------------------------|------------------|
| Line Voltage | 120/208/240/277V |
| Regulation | |
| Line Volts | +/-10% |
| Lamp Watts | WITHIN TRAPEZOID |
| Frequency | 60 Hz |
| Circuit Type | CWA |
| Power Factor (min) | 90% |
| Insulation Class | H(180°) |
| Min. Ambient Starting Temp. | -40° F or -40° C |

| Line Voltage (Volts) | 120 | 208 | 240 | 277 |
|--|-----------|--------|--------|--------|
| Line Current (Amps) | | | | |
| Operating | 4.0 | 2.3 | 2.0 | 1.73 |
| Open Circuit | 2.1 | 1.16 | 1.05 | 0.90 |
| Starting | 3.40 | 1.94 | 1.71 | 1.47 |
| Input Watts (W) | 470 | 470 | 470 | 470 |
| Open Circuit Voltage (V) | 190 | 190 | 190 | 190 |
| Drop Out Voltage (V) | 85 | 145 | 170 | 195 |
| UL(1029) Bench Top Rise | B | B | B | B |
| Recommended Fuse (Amps) | 10 | 8 | 5 | 5 |
| HIGH POTENTIAL TEST (VOLTS) | | | | |
| 1 Minute | 2000 | | | |
| 2 Seconds | 2500 | | | |
| Open Circuit Voltage Test (volts) | 170-210 | | | |
| Short-Circuit Current Test (Amps) | | | | |
| Secondary Current | 5.7 - 6.5 | | | |
| Input Current (Amps) | 3.1 - | 1.80 - | 1.54 - | 1.34 - |
| | 3.4 | 1.96 | 1.70 | 1.48 |

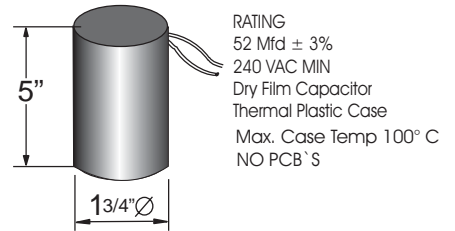
4 1/4" x 4 3/4" CORE



CORE AND COIL

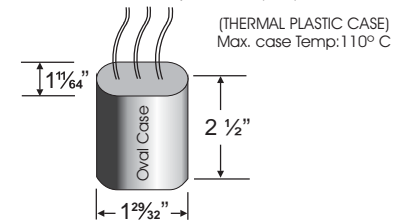
| | |
|-----------------------|------|
| Dimension A (inches) | 2.30 |
| Dimension B (inches) | 4.00 |
| Weight (Lbs) | 14.6 |
| Lead Lengths (inches) | 12 |

CAPACITOR



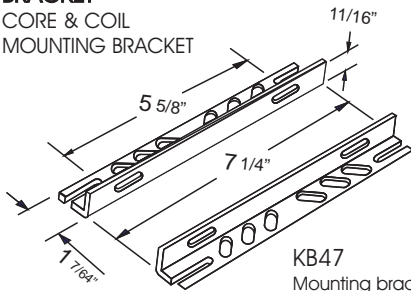
IGNITOR 37-63-AS-6.9-N6

Ballast to Lamp Distance (BTL): 2 feet



BRACKET

CORE & COIL
MOUNTING BRACKET



KB47
Mounting bracket for
Core & Coil Ballasts
(2 brackets with thru bolts)

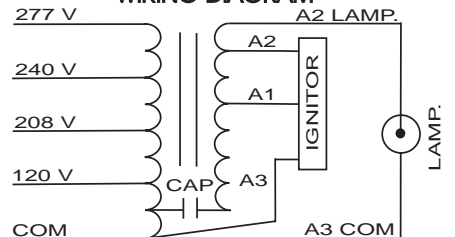


C-01
MOUNTING CLIP for round
case (Furnished as standard
with B suffix ballast)



I-01
MOUNTING CLIP for oval
case (Furnished as standard
with B suffix ballast)

WIRING DIAGRAM



120/208/240/277 VOLT CONNECTION

ORDERING INFORMATION

*** Add proper suffix to catalog number when ordering as indicated below:

- No suffix = Core and Coil Only
- B = Core and Coil, and Bracket
- C = Core and Coil, and Capacitor
- BC = Core and Coil, Capacitor and Bracket

Data is based upon tests performed by Industrias Sola Basic in a controlled environment and representative of relative performance. Actual Performance can vary depending on operating conditions. Specifications are subject to change without notice.

ISO 9001:2000



Made in Mexico by Industrias Sola Basic S.A de C.V.