

| Project | Type |
|---------|------|
| | |

Features and Benefits

The Dusk to Dawn Fixture of the future is here. Utilizing a single source LED, this dusk to dawn provides prismatic-designed light output for any environment. It comes with NEMA approved Phototcontrol (dusk to dawn lighting) which used with LED provides significant power savings. Maintaining all the strengths of the traditional dusk to dawn fixtures such as installation brackets and arms while utilizing the latest generation of LEDs, this LED dusk to dawn will last for years to come. Most versions are 175 Watt HID and now 40 Watt LED.

Ideal for parking lots, warehouses, farms, residential areas, walkways, underpasses, gas station, factory, loading docks and more. **Only on when it's dark.**

Technical Specifications

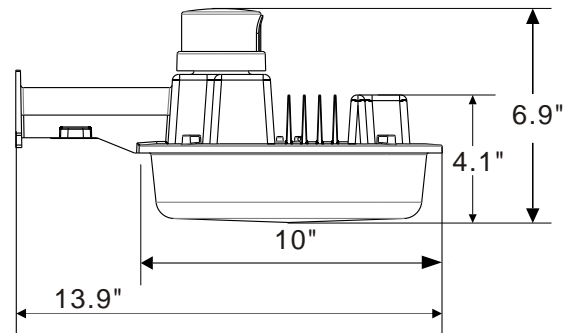
- Die cast housing
- Architectural gray UV resistant powder coat finish
- UL listed / CUL listed for damp locations
- Input voltage: 120~277V AC (Photocell: 120V Only)
- Highest quality long life LEDs
- LowTj for long life, low lumen depreciation
- Input power - 40 Watts
- Lumens per LED - approx. 90~95
- Low starting temp - 30°C
- Color temperature - 5000K (consult for other colors)
- **3 Year Warranty**

D2D Series

LED DUSK TO DAWN



DIMENSIONS



Optional Mounting System



Aluminum Extrusion Arm

Allows 12" extension from the wall for easy mounting.

Powered by **CREE** LEDs

Example: **D2D10L40W2900L50KGY**

| SERIES | SIZE | WATTS/LUMENS | COLOR TEMP | FINISH | OPTIONS* |
|--------------------|--------------------|---------------------------------|--------------------|-----------|--------------|
| D2D - Dusk to Dawn | 10L - 10" Diameter | 40W2900L - 40 Watts/2900 Lumens | 50K - 5000 Kelvins | GY - Gray | D2DARM - Arm |

*Order Separately