

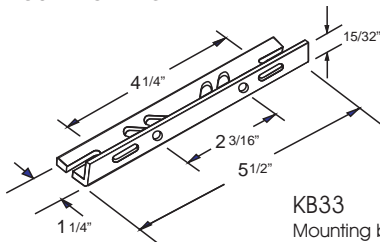
## CATALOG NUMBER: E-MCA0DD200 FOR ONE 200 WATT, M136 METAL HALIDE PULSE START LAMP

Line Voltage	480V
Regulation	
Line Volts	+/-10%
Lamp Watts	+/- 10%
Frequency	60 Hz
Circuit Type	CWA
Power Factor (min)	90%
Insulation Class	H(180°)
Min. Ambient Starting Temp.	-20° F or -30° C

Line Voltage (Volts)	480
Line Current (Amps)	
Operating	0.50
Open Circuit	0.50
Starting	0.26
Input Watts (W)	232
Open Circuit Voltage (V)	270
Drop Out Voltage (V)	250
UL(1029) Bench Top Rise	C
Recommended Fuse (Amps)	2

HIGH POTENTIAL TEST (VOLTS)	
1 Minute	2000
2 Seconds	2500
Open Circuit Voltage Test (volts)	250-300
Short-Circuit Current Test (Amps)	
Secondary Current	1.8 - 2.15
Input Current (Amps)	0.15 - 0.30

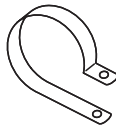
### BRACKET CORE & COIL MOUNTING BRACKET



**KB33**  
Mounting bracket for  
Core & Coil Ballasts  
(1 bracket with thru bolts)

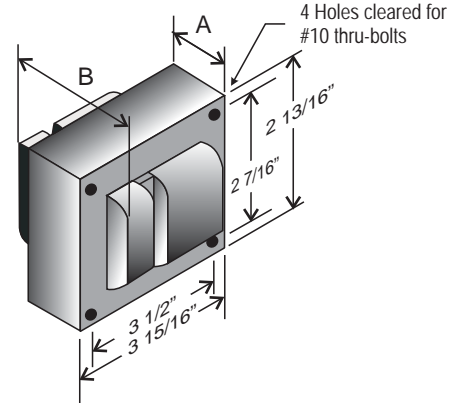


**C-01**  
MOUNTING CLIP for round  
case (Furnished as standard  
with B suffix ballast)



**I-01**  
MOUNTING CLIP for oval  
case (Furnished as standard  
with B suffix ballast)

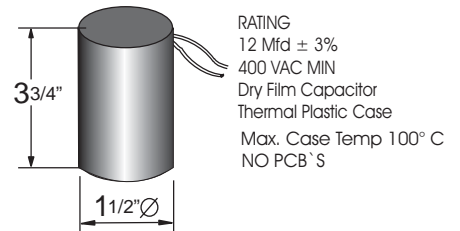
### 3" x 4" CORE



### CORE AND COIL

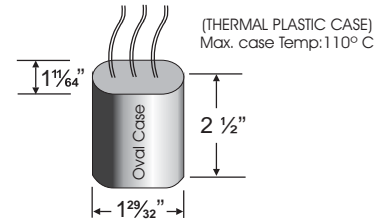
Dimension A (inches)	2.50
Dimension B (inches)	3.80
Weight (Lbs)	8.50
Lead Lengths (inches)	12

### CAPACITOR

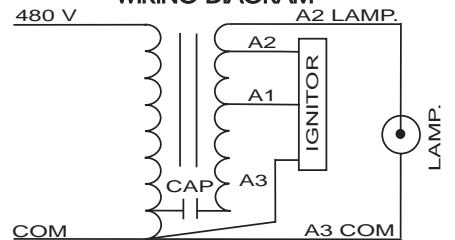


### IGNITOR 356-AS-21-MH

Ballast to Lamp Distance (BTL): 2 feet



### WIRING DIAGRAM



480 VOLT CONNECTION

### ORDERING INFORMATION

\*\*\* Add proper suffix to catalog number when ordering as indicated below:

- No suffix = Core and Coil Only
- B= Core and Coil, and Bracket
- C=Core and Coil, and Capacitor
- BC=Core and Coil, Capacitor and Bracket

Data is based upon tests performed by Industrias Sola Basic in a controlled environment and representative of relative performance. Actual Performance can vary depending on operating conditions. Specifications are subject to change without notice.

ISO 9001:2000



Made in Mexico by Industrias Sola Basic S.A de C.V.