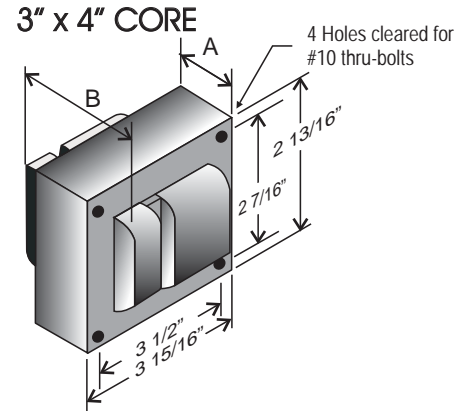


## CATALOG NUMBER: E-MZA00W70 FOR ONE 70 WATT, M98 METAL HALIDE LAMP

|                             |                  |
|-----------------------------|------------------|
| Line Voltage                | 120/208/240/277V |
| Regulation                  |                  |
| Line Volts                  | +/- 5%           |
| Lamp Watts                  | +/-10%           |
| Frequency                   | 60 Hz            |
| Circuit Type                | HX-HPF           |
| Power Factor (min)          | 90%              |
| Insulation Class            | H(180°)          |
| Min. Ambient Starting Temp. | -20° F or -30° C |

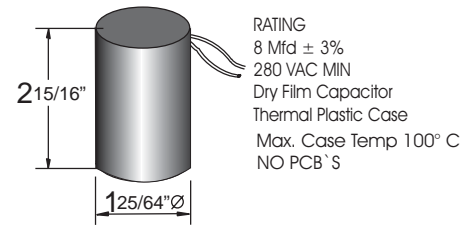
| Line Voltage (Volts)     | 120  | 208  | 240  | 277  |
|--------------------------|------|------|------|------|
| Line Current (Amps)      |      |      |      |      |
| Operating                | 0.85 | 0.50 | 0.43 | 0.37 |
| Open Circuit             | 1.70 | 0.96 | 0.83 | 0.72 |
| Starting                 | 0.91 | 0.66 | 0.57 | 0.50 |
| Input Watts (W)          | 95   | 95   | 95   | 95   |
| Open Circuit Voltage (V) | 250  | 250  | 250  | 250  |
| Drop Out Voltage (V)     | 90   | 150  | 175  | 208  |
| UL(1029) Bench Top Rise  | A    | A    | A    | A    |
| Recommended Fuse (Amps)  | 4    | 3    | 2    | 2    |

| HIGH POTENTIAL TEST (VOLTS)       |  |
|-----------------------------------|--|
| 1 Minute                          | 2000   |
| 2 Seconds                         | 2500   |
| Open Circuit Voltage Test(volts)  | 240-265  |
| Short-Circuit Current Test (Amps) |  |
| Secondary Current                 | 1.00 - 1.25  |
| Input Current (Amps)              | 0.55 - 1.05    0.30 - 0.60    0.25 - 0.55    0.22 - 0.50 |

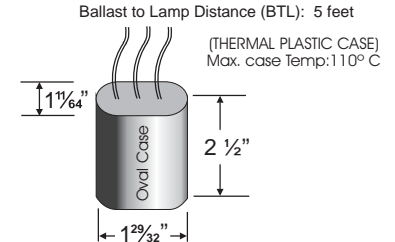


| CORE AND COIL         |      |
|-----------------------|------|
| Dimension A (inches)  | 1.45 |
| Dimension B (inches)  | 2.90 |
| Weight (Lbs)          | 5.50 |
| Lead Lengths (inches) | 12   |

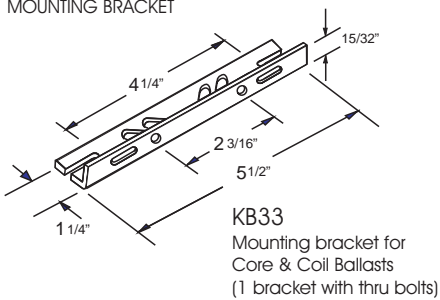
### CAPACITOR



### IGNITOR 356-AS-100-MH



### BRACKET CORE & COIL MOUNTING BRACKET

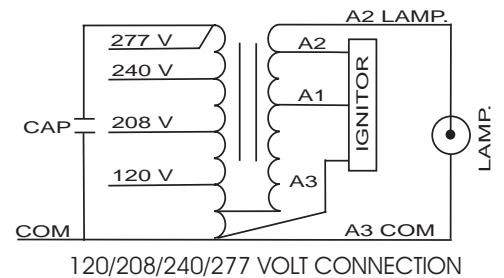


**C-01**  
MOUNTING CLIP for round case (Furnished as standard with B suffix ballast)



**I-01**  
MOUNTING CLIP for oval case (Furnished as standard with B suffix ballast)

### WIRING DIAGRAM



## ORDERING INFORMATION

\*\*\* Add proper suffix to catalog number when ordering as indicated below:  
No suffix = Core and Coil Only  
B= Core and Coil, and Bracket  
C=Core and Coil, and Capacitor  
BC=Core and Coil, Capacitor and Bracket

Data is based upon tests performed by Industrias Sola Basic in a controlled environment and representative of relative performance. Actual Performance can vary depending on operating conditions. Specifications are subject to change without notice.

ISO 9001:2000



Made in Mexico by Industrias Sola Basic S.A de C.V.