

# ZR22™

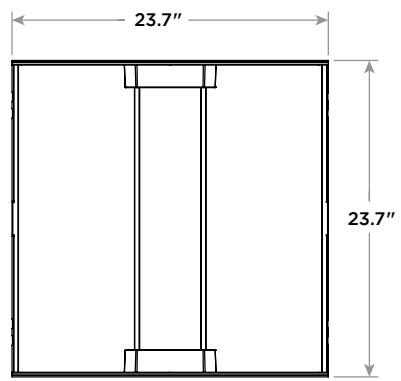
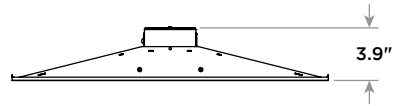
2'x2' LED Troffer

## Product Description

The ZR22™ LED troffer delivers 3200 lumens of superior 90 CRI light quality and is perfect for both new construction or renovation. Powered by Cree TrueWhite® Technology, the slim and lightweight ZR22 LED troffer boasts an efficacious 90 LPW performance along with 0-10V dimming to meet local energy codes. The ZR22 LED troffer embodies a breakthrough in balancing energy savings, visual comfort and initial cost.

## Performance Summary

Utilizes Cree TrueWhite® Technology
Assembled in the US & Mexico
<b>Efficacy:</b> 90 LPW
<b>Delivered Light Output:</b> 3200 lumens
<b>Input Power:</b> 35 watts
<b>CRI:</b> 90 CRI
<b>CCT:</b> 3500K, 4000K
<b>Input Voltage:</b> 120-277 VAC
<b>Limited Warranty:</b> 10 years†
<b>Lifetime:</b> Designed to last up to 75,000 hours
<b>Controls:</b> 0-10V (Standard)*
<b>Mounting:</b> Recessed



## Ordering Information

Example: ZR22-32L-35K-10V

ZR22	32L			10V	
Product	Lumen Output	Color Temp	Voltage	Control	Options
ZR22™	32L 35W, 3200 Lumens	35K 3500 Kelvin 40K 4000 Kelvin	Blank 120-277 Volt (Standard)	10V 0-10V Dimming 5%	EB Emergency Backup**

† See [www.cree.com/lighting/products/warranty](http://www.cree.com/lighting/products/warranty) for warranty terms  
 \* Reference [www.cree.com/lighting](http://www.cree.com/lighting) for recommended dimming controls and wiring diagrams  
 \*\* EB option available Q2 2014



Rev. Date: 01/22/2014



## ZR22™ LED Troffer

### Product Specifications

#### CREE TRUEWHITE® TECHNOLOGY

A revolutionary way to generate high efficacy light with superior color rendering and lifelong color consistency. Cree TrueWhite Technology delivers a no compromise solution to enhance any space.

#### LUMEN MAINTENANCE FACTORS

- Reference [www.cree.com/lighting](http://www.cree.com/lighting) for detailed lumen maintenance factors

#### CONSTRUCTION & MATERIALS

- Durable cold rolled steel housing provides strength and uniformity
- Ultra-thin 3.9" fixture height and lightweight design effectively target a broad range of plenum spaces and allow for easy installations
- Fixture is pre-painted for enhanced smooth finish
- Provided t-bar clips and holes for mounting support wires enable recessed or suspended installation
- Fixture sides and ends are hemmed in for safe, easy handling

#### OPTICAL SYSTEM

- Unique fixture design creates perfect balance of both horizontal and vertical illumination
- Optimized smooth lens eliminates pixelation and delivers a low-glare, diffused light distribution

#### ELECTRICAL SYSTEM

- Cree born components including highly efficacious Cree® LED chips along with an integral high-efficiency Cree® driver
- Power Factor = 0.9 nominal
- Input Power: Stays constant over life
- Input Voltage: 120-277V, 50/60Hz
- Battery Backup: Consult factory
- Temperature Rating: Designed to operate in temperatures 0-35 °C and below room side and plenum side
- Total Harmonic Distortion: <20%

#### CONTROLS

- Continuous dimming to 5% with 0-10V controls comes standard\*

#### REGULATORY & VOLUNTARY QUALIFICATIONS

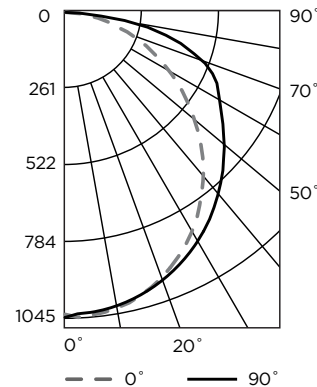
- UL924 (EB option)
- cULus Listed
- Suitable for damp locations
- Designed for Indoor use

\*Reference [www.cree.com/lighting](http://www.cree.com/lighting) for recommended dimming controls and wiring diagrams

### Photometry

#### ZR22 BASED ON CESTL REPORT TEST #: 2014-0006

Fixture photometry has been conducted by a NVLAP accredited testing laboratory in accordance with IESNA LM-79-08. IESNA LM-79-08 specifies the entire luminaire as the source resulting in a fixture efficiency of 100%.



#### Coefficients Of Utilization

RCC %:	80			
RW %:	70	50	30	10
RCR: 0	119	119	119	119
1	107	102	97	93
2	97	88	81	74
3	88	77	68	61
4	80	68	58	51
5	74	60	51	44
6	68	54	45	38
7	63	49	40	33
8	59	45	36	30
9	55	41	32	27
10	51	38	30	24

Effective Floor Cavity Reflectance: 20%

#### Average Luminance Table (cd/m<sup>2</sup>)

		Horizontal Angle		
		0°	45°	90°
Vertical Angle	0°	1035	1035	1035
	45°	664	710	759
	55°	504	579	657
	65°	342	451	570
	75°	186	321	408
	85°	53	104	125

#### Zonal Lumen Summary

Zone	Lumens	% Lamp	Luminaire
0-30	808	N/A	24.7%
0-40	1328	N/A	40.5%
0-60	2394	N/A	73.1%
0-90	3274	N/A	100%
0-180	3274	N/A	100%

Reference [www.cree.com/lighting](http://www.cree.com/lighting) for detailed photometric data.

### Application Reference

Open Space					
Spacing	Lumens	Wattage	LPW	w/ft <sup>2</sup>	Average fc
8 x 8	3200L	35W	90	0.53	45
8 x 10	3200L	35W	90	0.44	37
10 x 10	3200L	35W	90	0.35	30
10 x 12	3200L	35W	90	0.28	24

9' ceiling: 80/50/20 reflectances; 2.5' workplane, open room. LLF: 1.0 Initial  
Open Space: 50' x 40' x 10'