

DESCRIPTION

The Sunlite MKS Advanced LED™ 5" Downlight Series is a complete LED Baffle-Trim Downlight Module/Housing is suitable for new construction. The downlight is cULus Listed for use with included housing. The Integral LED driver offers 120 volt dimming capability. The lens provides uniform illumination and damp location listing.

SPECIFICATION FEATURES

MECHANICAL

Module - Trim

- 5" Module includes LED, heat sink, reflector, lens, baffle-trim and driver
- Durable die-cast aluminum construction
- Heat sink designed to conduct heat away from the LED keeping the junction temperatures below specified maximums, even when installed in insulated ceiling environments
- Matte white paint finish

Lens

- Impact-resistant polycarbonate
- Convex form for lamp-like appearance
- High lumen transmission
- Diffusing for even illumination

MOUNTING

Torsion Spring Brackets

- Precision formed torsion spring brackets secure torsion springs to fit trim with module
- Stainless steel spring clips secure the module to the housing
- Spring clip system allows downlight to be installed to adjust to various ceiling thicknesses.

HOUSING

Frame

- Galvanized steel frame. Housing adjusts in plaster frame to accommodate up to 1-3/8" ceiling thickness.
- Regressed locking screw for securing hanger bars.
- Cutouts included for easily crimping hanger bars in position.

Junction Box

- Positioned to accommodate straight conduit runs.
- Four 1" and six 1/2" trade size conduit knockouts with true pry-out slots.
- Wire traps allow non-metallic sheathed cable to be installed without tools and without removing knockouts.
- Allows wiring connections to be made outside the box.
- Simply insert the cable directly into the trap after connections are made.
- Accommodates the following standard non-metallic sheathed cable type:
 - U.S. #14/2, #14/3, #12/2, #12/3
 - Canada: #14/2, #14/3, #12/2

Bar Hangers

- Pre-installed nail easily installs in regular lumber, engineered lumber and laminated beams.
- Safety and Guidance system prevents snagging, ensures smooth, straight nail penetration and allows bar hangers to be easily removed if necessary

- Automatic leveling flange aligns the housing and allows holding the housing in place with one hand while driving nails.
- Housing can be positioned at any point within 24" joist spans
- Score lines allow tool-free shortening for 12" joists and bar hangers do not need to be removed for shortening.
- Bar hangers may be repositioned 90° on plaster frame
- Integral T-bar clip snaps onto T-bars – no additional clips are required.

LED Module Connection

MKS LED modules simply install with a plug-in 120V rated line voltage wiring connector (UL Listed Luminaire Disconnect). This non-screw-base connection preserves the high efficacy rating and prevents use of low efficacy incandescent sources.

LED

- 1150 lumens
- Color Temperature: 3000K or 5000K
- CRI: 85
- Lumen Maintenance: L70/B50 70% lumens / 50,000 hours
- Efficacy: 57.5 Lumens per Watt
- LED is a chip on board design consisting of a multiple LED package to create one virtual light source for a productive "cone of light"

ELECTRICAL

Power Connections

- LED connector is a non-screw base luminaire disconnect offering easy installation with the matching Sunlite MKS housings.
- LED Connector meets California Title-24 high-efficacy luminaire requirement for a non-screw base socket, and where required to qualify as a high-efficacy luminaire.

Ground Connection

- Separate grounding cable included on the module for attachment to the housing during installation.

LED Driver

- Dimmable driver is a 120 Volt, high efficiency, electronic power supply providing DC power to the LED.
- Driver meets FCC EMI/RFI Consumer Level limits for use in residential and commercial installations.
- Driver features high power factor, low THD, and does not require integral thermal protection in the event of over temperature or internal failure as it complies with the normal temperature limits of this standard under all conceivable operating conditions .
- Driver is specifically designed for compatibility with MKS Advanced LED Downlight Series LED.

Dimming

- The LED module is designed for dimming capability to 15% in normal operation with standard 120V electronic low voltage, LED-Rated, and many incandescent dimmers. It has a dimming capability to 10% with select dimmers with low end trim adjustment. (Consult dimmer manufacturer for dimmer compatibility and details. Note, some dimmers require a neutral in the wallbox.)

Warranty

Sunlite Manufacturing provides a three year limited warranty on MKS Downlight.

COMPLIANCE

Labels

- UL/cUL Listed 1598 Luminaire (with included housing)
- UL/cUL Listed for Damp Location Applications
- IP54 Ingress Protection rated
- May be installed in housings in direct contact with air permeable insulation and combustible material.

Qualification

- ENERGY STAR® qualified
 - Can be used for State of California Title 24 high efficacy luminaire compliance
 - Can be used for International Energy Conservation Code (IECC) high efficacy luminaire compliance
- #### IC and AIR-TITE™
- Certified under ASTM-E283 and listed UL/cUL 1598 with included housing, may be used to meet insulated ceiling and restricted air-flow requirements such as:
- Washington State Energy Code
 - International Energy Conservation Code (IECC)
 - State of California Title 24 "Recessed Luminaires in Insulated Ceilings."

Energy Data:

(Values at non-dimming line voltage)

Minimum Starting Temp: -20°C (-4°F)
EMI/RFI: FCC Title 47 CFR, Part 18, Class B (Consumer)
Sound Rating: Class A standards
Input Voltage: 120V
Power Factor: >0.98
Input Frequency: 60Hz
Total Harmonic Distortion: <20%
Rated Wattage: 20W
Input Power: 20W
Input Current: 0.2A
Maximum IC (Insulated Ceiling) Ambient Continuous Operating Temperature: 25°C (77°F)
Maximum Non-IC Ambient Continuous Operating Temperature: 40°C (104°F)

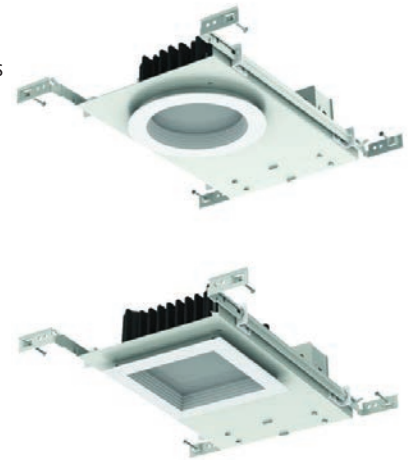
MKS

ADVANCED LED™

SUNLITE® MKS ADVANCED LED™ DOWNLIGHT SERIES BAFFLE-TRIM RECESSED DOWNLIGHT MODULE & HOUSING

FOR USE IN INSULATED
& NON-INSULATED NEW
CONSTRUCTION CEILING

HIGH EFFICACY LED WITH
INTEGRAL DRIVER - DIMMABLE



LED Lighting Data:

Lumens: 1150
Correlated Color Temperature (CCT): .. 3000K or 5000K (nominal)
Color Rendering Index (CRI, Ra): 85

sunlite®
www.sunshinelighting.com