



SPECIFICATION SHEET :
T1M4UNV0350-100L, T1M4UNV0350-100C,
T1M4UNV0700-100L, T1M4UNV0700-100C,
T1M4UNV1000-100L, T1M4UNV1000-100C

This Is An Original Product From Fulham Co., Inc

Description : 100W LED Power Supply with 0-10V dimming controls. Wide range input of 120-277V. Four, constant current, independent output channels.

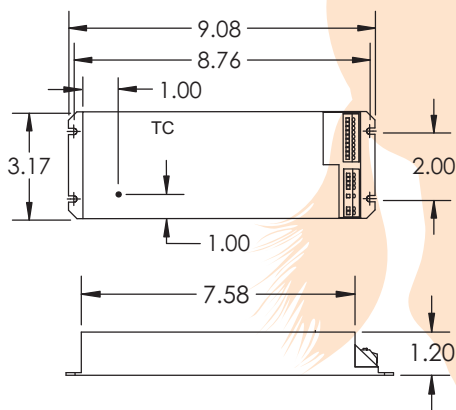
This Driver Will Operate Following LED Modules:

Any LED module designed to accept constant current input up to the rated driver output (e.g. 350, 700 or 1000mA) and a voltage of <57V

ELECTRICAL DATA

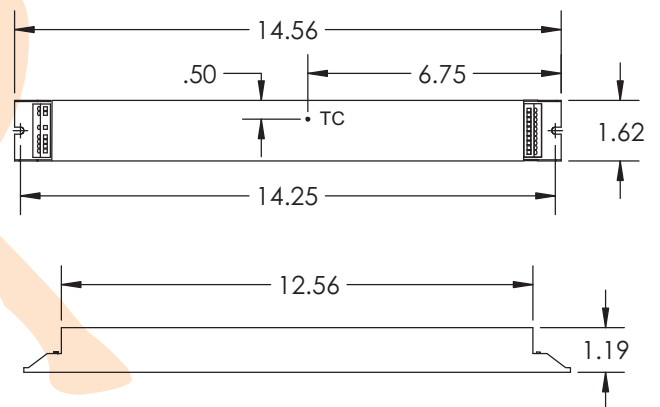
| | |
|------------------------------------|--|
| INPUT VOLTAGE | 120-277V ± 10%, 50/60Hz |
| INPUT CURRENT (MAX) | 1.0A @ 120V, 0.5A @ 230V, 0.45A @ 277V |
| POWER FACTOR | >0.99 @ 120V, >0.98 @ 230V, >0.94 @ 277V |
| THD | <10% @ Max load) |
| EFFICIENCY | 89% @ Max load |
| SURGE PROTECTION | 3kV(L-N), 4kV (L/N-GRD) |
| CONSTANT CURRENT, VOLTAGE OR POWER | Constant Current |
| OUTPUT CURRENT | 350, 700, or 1000mA |
| OUTPUT VOLTAGE | 60V (max.) |
| MINIMUM LOAD PER CHANNEL | 2W |
| OUTPUT SHORT CIRCUIT PROTECTION | YES |
| OUTPUT OPEN CIRCUIT PROTECTION | YES |
| OUTPUT TO GROUND SHORT PROTECTION | YES |
| OVER LOAD PROTECTION | YES |
| THERMAL PROTECTION LIMIT | 110°C |
| DIMMING CONTROLLER TYPE | 0-10V (IEC60929, ANNEX E and ESTA 1.3) |
| DIMMING CURVE | LOGARITHMIC |
| NUMBER OF CONTROL CHANNELS | 1 |
| EMI | FCC Class B, EN55015, EN 55022 |
| MAX. CASE HOT SPOT TEMPERATURE | 85°C (-100L), 83°C (-100C) |
| MIN. STARTING TEMPERATURE | -20°C |
| MAX. POSSIBLE AMBIENT TEMPERATURE | 50°C |
| APPROVALS/CLASS | cURus (UL8750), Class 2 (URus only), Damp Location, CE, VDE/ENEC (120-250V input only), cUL non class2 |

MECHANICAL DATA - C



Where : L = Length, W = Width, H = Height

MECHANICAL DATA - L



Where : L = Length, W = Width, H = Height

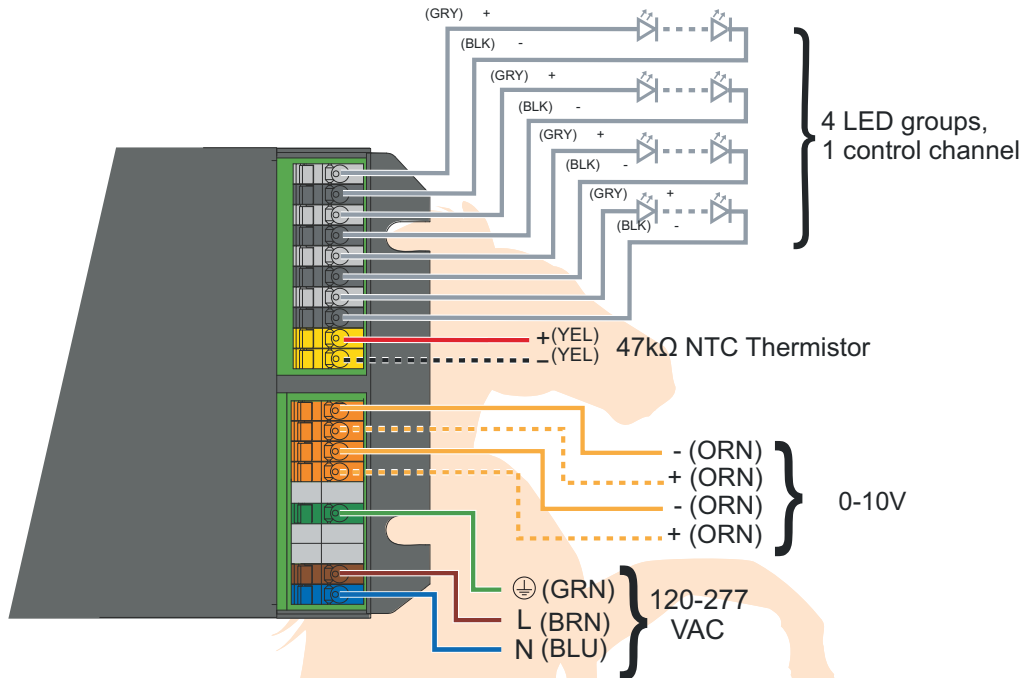
Fulham extends a limited warranty only to the original purchaser or to the first user for a period of 5 years from the date of manufacture when properly installed and operated under normal conditions of use. For complete terms and conditions, please reference the Fulham product catalog (www.fulham.com)
Due to a program of continuous improvement, Fulham reserves the right to make modifications or variations in design or construction to the equipment described.



SPECIFICATION SHEET :
T1M4UNV0350-100L, T1M4UNV0350-100C,
T1M4UNV0700-100L, T1M4UNV0700-100C,
T1M4UNV1000-100L, T1M4UNV1000-100C

This Is An Original Product From Fulham Co., Inc

WIRING DIAGRAM - C



AWG 20-16 only

WIRING DIAGRAM - L



AWG 20-16 only

Fulham extends a limited warranty only to the original purchaser or to the first user for a period of 5 years from the date of manufacture when properly installed and operated under normal conditions of use. For complete terms and conditions, please reference the Fulham product catalog (www.fulham.com)
Due to a program of continuous improvement, Fulham reserves the right to make modifications or variations in design or construction to the equipment described.