

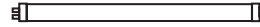


WHS G4-UNV-T8-IS

Instant Start Fluorescent Ballast

- Solid State Electronic Ballast
- Universal Voltage: 120-277VAC ±10%, 50/60Hz
- Instant Start
- UL / cUL Listed, Class P

This Ballast Will Operate The Following Lamps:



F17T8, F25T8, F32T8/25, F32T8/28, F32T8/30,
FB28T8, FB31T8, FB32T8, F32T8, F40T8, F32T8

General Specifications

Input Voltage	120 - 277VAC ±10%, 50 / 60Hz
Lamps Operated	2 or 3 Lamps
Current Crest factor	≥1.7
EMI / RFI Compliance	FCC Part 18-A (Non-Consumer)
Sound Rating	" A "
Ballast Type	Instant Start
Voltage Transients	ANSI C82.11 - 1993
Input Protection	Fuse
Remote Mounting	18 ft Max.
Min. Operating Temp	-18°C (0°F)
Max. Case Temp	70°C (158°F)
Type "HL" Approval	Approved For Hazardous Location
Approvals Class	UL / cUL Listed, Class "P", 1 Outdoor
Warranty	5 Years from the date of manufacture when properly installed

Electrical Data @120VAC

Lamp Wattage / Type	Lamps Operated	Input Wattage	Line Current	Power Factor	Ballast Factor	Efficacy Factor	THD
F25T8	3	74	0.62	0.98	0.96	1.29	10%
F32T8/25	3	77	0.65	0.98	0.96	1.24	10%
F32T8/28	3	84	0.71	0.98	0.96	1.14	10%
F32T8/30	3	77	0.65	0.98	0.96	1.24	10%
FBO28T8	3	87	0.73	0.98	0.96	1.10	10%
FBO31T8	3	92	0.77	0.98	0.96	1.04	10%
FBO32T8	3	92	0.77	0.98	0.96	1.04	10%
F32T8	3	114	0.95	0.98	0.96	0.84	10%
F40T8	4	59	0.49	0.98	0.93	1.57	10%
F17T8	4	87	0.72	0.98	0.89	1.02	10%
F25T8	4	88	0.74	0.98	0.88	1.00	10%
F32T8/25	4	94	0.79	0.98	0.88	0.93	10%
F32T8/28	4	101	0.85	0.98	0.88	0.87	10%
F32T8/30	4	94	0.79	0.98	0.88	0.93	10%
FBO28T8	4	107	0.9	0.98	0.88	0.82	10%
FBO31T8	4	112	0.93	0.98	0.88	0.79	10%
FBO32T8	4	112	0.93	0.98	0.88	0.79	10%



WHS4-UNV-T8-IS

Electrical Data @230VAC

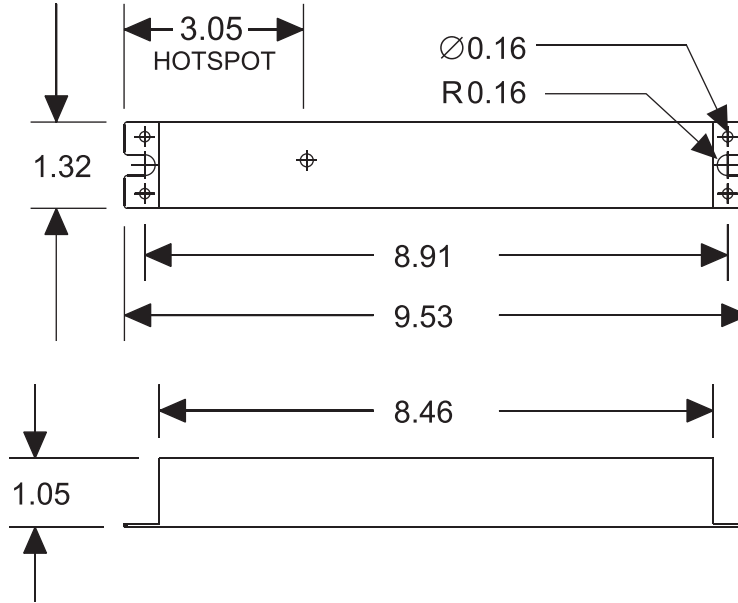
Lamp Wattage / Type	Lamps Operated	Input Wattage	Line Current	Power Factor	Ballast Factor	Efficacy Factor	THD
F25T8	3	73	0.32	0.98	0.96	1.31	10%
F32T8/25	3	77	0.34	0.98	0.96	1.25	10%
F32T8/28	3	84	0.37	0.98	0.96	1.15	10%
F32T8/30	3	77	0.34	0.98	0.96	1.25	10%
FBO28T8	3	87	0.39	0.98	0.96	1.10	10%
FBO31T8	3	89	0.39	0.98	0.96	1.07	10%
FBO32T8	3	89	0.39	0.98	0.96	1.07	10%
F32T8	3	109	0.48	0.98	0.96	0.88	10%
F40T8	4	58	0.26	0.98	0.93	1.59	10%
F17T8	4	85	0.38	0.98	0.89	1.05	10%
F25T8	4	88	0.39	0.98	0.88	1.00	10%
F32T8/25	4	94	0.42	0.98	0.88	0.93	10%
F32T8/28	4	100	0.44	0.98	0.88	0.88	10%
F32T8/30	4	92	0.41	0.98	0.88	0.95	10%
FBO28T8	4	106	0.47	0.98	0.88	0.83	10%
FBO31T8	4	108	0.48	0.98	0.88	0.80	10%
FBO32T8	4	108	0.48	0.98	0.88	0.80	10%

Electrical Data @277VAC

Lamp Wattage / Type	Lamps Operated	Input Wattage	Line Current	Power Factor	Ballast Factor	Efficacy Factor	THD
F25T8	3	73	0.27	0.98	0.96	1.31	10%
F32T8/25	3	77	0.29	0.98	0.96	1.25	10%
F32T8/28	3	84	0.31	0.98	0.96	1.15	10%
F32T8/30	3	77	0.29	0.98	0.96	1.25	10%
FBO28T8	3	87	0.32	0.98	0.96	1.10	10%
FBO31T8	3	89	0.34	0.98	0.96	1.07	10%
FBO32T8	3	89	0.34	0.98	0.96	1.07	10%
F32T8	3	109	0.41	0.98	0.96	0.88	10%
F40T8	4	58	0.22	0.98	0.93	1.59	10%
F17T8	4	85	0.32	0.98	0.89	1.05	10%
F25T8	4	88	0.33	0.98	0.88	1.00	10%
F32T8/25	4	94	0.35	0.98	0.88	0.93	10%
F32T8/28	4	100	0.37	0.98	0.88	0.88	10%
F32T8/30	4	92	0.34	0.98	0.88	0.95	10%
FBO28T8	4	106	0.39	0.98	0.88	0.83	10%
FBO31T8	4	108	0.40	0.98	0.88	0.80	10%
FBO32T8	4	108	0.40	0.98	0.88	0.80	10%

WHS4-UNV-T8-IS

Mechanical Data

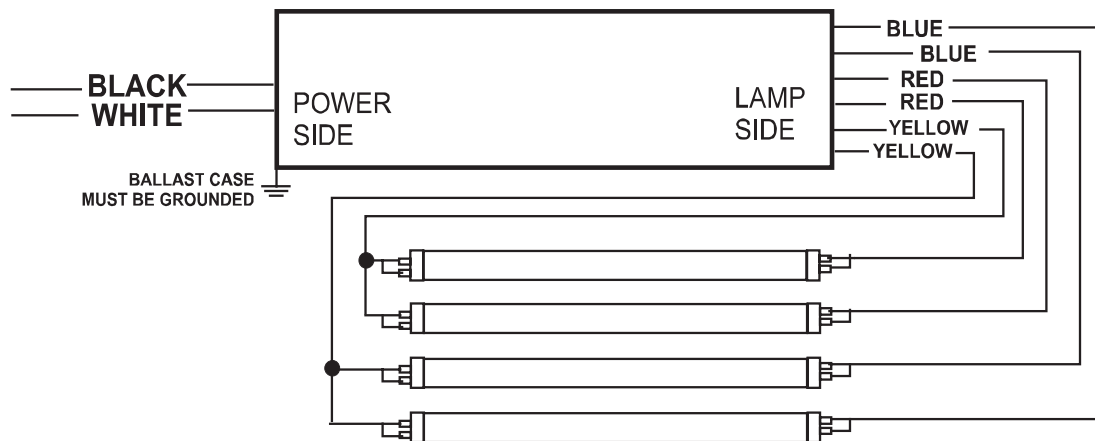


Where : L = Length, W = Width, H = Height

Wiring Diagram

Wire Color	Length (Inches)
Black	25" ±1"
White	25" ±1"

Wire Color	Length (Inches)
Red	46" ±1"
Blue	32" ±1"



FOR THREE LAMP APPLICATION, CAP ONE BLUE WIRE INSULATE TO 600V.

Note: This ballast case must be grounded