

## SPECIFICATION SHEET : RHA-UNV-454-LT5

This Is An Original Product From Fulham Co., Inc

**Description : RACEHORSE Series, Universal Operating Voltage, Program Preheat Start Ballast, End Of Life Protection, Auto Restart, Cold Starting Feature.**

**This Ballast Will Operate Following Lamps.**



**TWIN(FT/E), 4 PIN  
55W**



**F54T5HO**

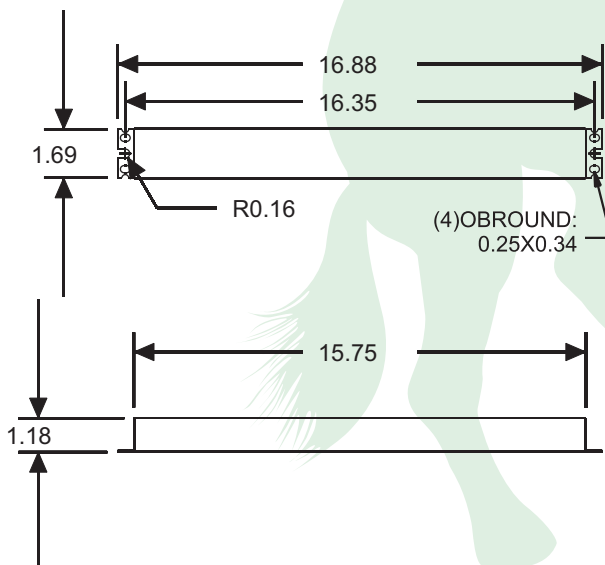


**F54T5HO/49W**

### ELECTRICAL DATA ( With 120 Volt Application)

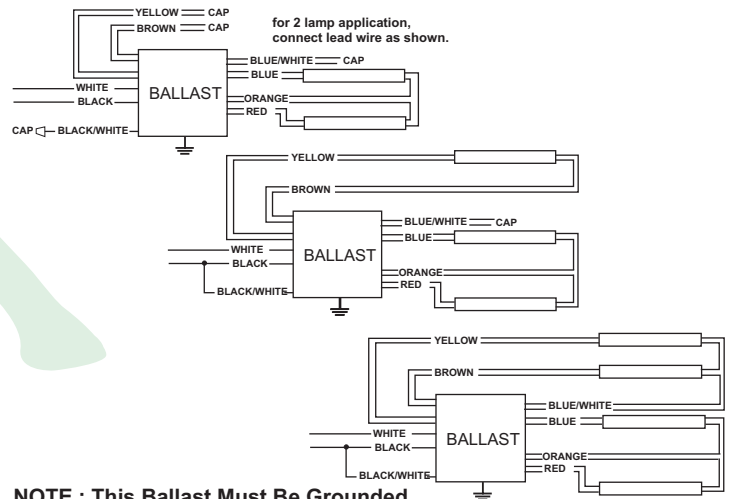
INPUT VOLT: 120V ± 10%, 50/60Hz												
LAMP WATTS/TYPE	FT36W	FT55W	F54T5HO	F54T5HO/49W	FT36W	FT55W	F54T5HO	F54T5HO/49W	FT36W	FT55W	F54T5HO	F54T5HO/49W
LAMPS OPERATED	2				3				4			
INPUT WATTS	84	112	114	104	123	163	165	156	158	214	217	216
LINE CURRENT:	0.70	0.94	0.95	0.87	1.02	1.37	1.38	1.32	1.31	1.79	1.81	1.82
POWER FACTOR	0.99	0.99	0.99	0.99	0.99	0.99	0.99	0.99	0.99	0.99	0.99	0.99
BALLAST FACTOR	1.15	0.79	0.93	0.92	1.20	0.79	0.93	0.90	1.20	0.79	0.93	0.92
EFFICACY FACTOR	1.37	0.70	0.81	0.88	0.98	0.48	0.56	0.57	0.76	0.37	0.43	0.43
THD	< 10%											
CURRENT CREST FACTOR	< 1.7											
EMI/RFI COMPLIANCE	FCC PART 18-A											
SOUND RATING	"A"											
BALLAST TYPE	PROGRAMMED START											
VOLTAGE TRANSIENTS	ANSI 62.41											
INPUT/PROTECTION	FUUSE											
OUTPUT/PROTECTION	EOL											
MIN. OPERATING TEMP	-30 °C ( -22 °F)											
MAX. CASE TEMP	90 °C ( 194 °F ) SEE FOOT NOTE WARRANTY											
TYPE "HL" APPROVAL	APPROVED FOR HAZARDOUS LOCATION											
REMOTE MOUNTING	18 FT MAX											
TYPE "CC" APPROVAL	Approved for Commercial Cabinets application											

### MECHANICAL DATA



### WIRING DIAGRAMS

WIRE	BLK	WHT	WHT/BLK	YELLOW	BROWN
LENGTH - INCHES	25 ± 1"	25 ± 1"	25 ± 1"	33 ± 1"	33 ± 1"
WIRE	RED	ORANGE	BLUE	BLUE/WHT	
LENGTH - INCHES	33 ± 1"	48 ± 1"	33 ± 1"	48 ± 1"	



Fulham Co., Inc extends limited warranty only to the original purchaser or to the first user for the period of **3 years @ 90°C & 5 years @ 75°C** from the date of manufacture as indicated by the date code stamped on each product and when properly installed and under normal conditions of use. For additional warranty guide line, please refer to our Complete Product Catalog OR call Customer Service at 1-323-599-5000.

DUE TO A PROGRAM OF CONTINUOUS IMPROVEMENT, FULHAM Co., INC RESERVES THE RIGHT TO MAKE ANY VARIATION IN DESIGN OR CONSTRUCTION TO THE EQUIPMENT DESCRIBED.

Address : 12705 South Van Ness Ave., Hawthorne, CA 90250 Tel.: 1-323-599-5000, Fax.: 1-323-754-9060. Website: [www.fulham.com](http://www.fulham.com) 2006-184-1 rev G

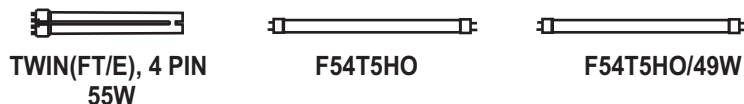


## SPECIFICATION SHEET : RHA-UNV-454-LT5

This Is An Original Product From Fulham Co., Inc

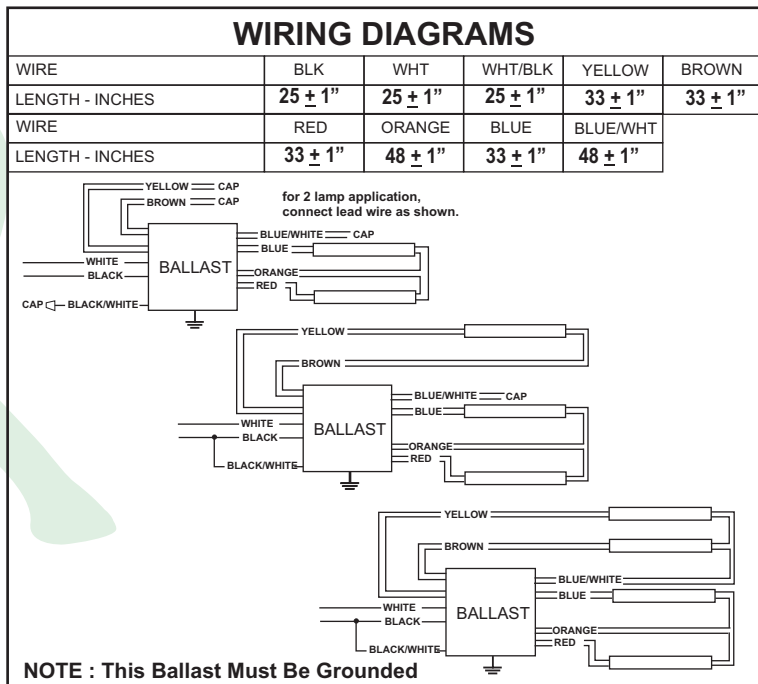
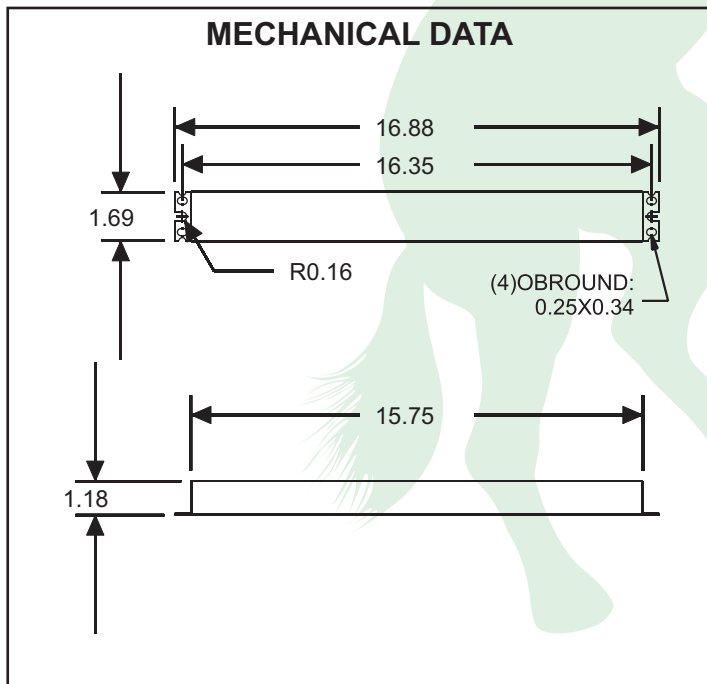
**Description :** RACEHORSE Series, Universal Operating Voltage, Program Preheat Start Ballast, End Of Life Protection, Auto Restart, Cold Starting Feature.

**This Ballast Will Operate Following Lamps.**



### ELECTRICAL DATA ( With 230 Volt Application)

INPUT VOLT: 230V ± 10%, 50/60Hz												
LAMP WATTS/TYPE	FT36W	FT55W	F54T5HO	F54T5HO/49W	FT36W	FT55W	F54T5HO	F54T5HO/49W	FT36W	FT55W	F54T5HO	F54T5HO/49W
LAMPS OPERATED	2				3				4			
INPUT WATTS	80	109	111	102	118	160	162	153	158	208	215	202
LINE CURRENT:	0.35	0.49	0.50	0.45	0.54	0.71	0.72	0.68	0.70	0.92	0.95	0.89
POWER FACTOR	0.98	0.99	0.99	0.98	0.96	0.99	0.99	0.97	0.97	0.99	0.99	0.98
BALLAST FACTOR	1.15	0.79	0.93	0.92	1.20	0.79	0.93	0.91	1.20	0.79	0.93	0.92
EFFICACY FACTOR	1.44	0.72	0.84	0.91	1.02	0.49	0.57	0.59	0.76	0.38	0.43	0.45
THD	< 10%											
CURRENT CREST FACTOR	< 1.7											
EMI/RFI COMPLIANCE	FCC PART 18-A											
SOUND RATING	" A "											
BALLAST TYPE	PROGRAMMED START											
VOLTAGE TRANSIENTS	ANSI 62.41											
INPUT/PROTECTION	FUSE											
OUTPUT/PROTECTION	EOL											
MIN. OPERATING TEMP	-30 °C ( -22 °F )											
MAX. CASE TEMP	90 °C ( 194 °F ) SEE FOOT NOTE WARRANTY											
TYPE "HL" APPROVAL	APPROVED FOR HAZARDOUS LOCATION											
REMOTE MOUNTING	18 FT MAX											
TYPE "CC" APPROVAL	Approved for Commercial Cabinets application											



Fulham Co., Inc extends limited warranty only to the original purchaser or to the first user for the period of **3 years @ 90° C & 5 years @ 75 C** from the date of manufacture as indicated by the date code stamped on each product and when properly installed and under normal conditions of use. For additional warranty guide line, please refer to our Complete Product Catalog OR call Customer Service at 1-323-599-5000.

DUE TO A PROGRAM OF CONTINUOUS IMPROVEMENT, FULHAM Co., INC RESERVES THE RIGHT TO MAKE ANY VARIATION IN DESIGN OR CONSTRUCTION TO THE EQUIPMENT DESCRIBED.

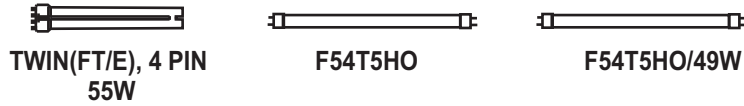
Address : 12705 South Van Ness Ave., Hawthorne, CA 90250 Tel.: 1-323-599-5000, Fax.: 1-323-754-9060. Website: [www.fulham.com](http://www.fulham.com) 2006-184-2 rev G

## SPECIFICATION SHEET : RHA-UNV-454-LT5

This Is An Original Product From Fulham Co., Inc

**Description :** RACEHORSE Series, Universal Operating Voltage, Program Preheat Start Ballast, End Of Life Protection, Auto Restart, Cold Starting Feature.

**This Ballast Will Operate Following Lamps.**



### ELECTRICAL DATA ( With 277 Volt Application)

INPUT VOLT: 277V ± 10%, 50/60Hz												
LAMP WATTS/TYPE	FT36W	FT55W	F54T5HO	F54T5HO/49W	FT36W	FT55W	F54T5HO	F54T5HO/49W	FT36W	FT55W	F54T5HO	F54T5HO/49W
LAMPS OPERATED	2				3				4			
INPUT WATTS	84	109	114	101	122	160	163	153	160	207	214	207
LINE CURRENT:	0.32	0.42	0.95	0.38	0.48	0.61	0.62	0.59	0.61	0.77	0.80	0.77
POWER FACTOR	0.96	0.99	0.99	0.96	0.92	0.99	0.99	0.94	0.95	0.99	0.99	0.97
BALLAST FACTOR	1.15	0.79	0.92	0.92	1.20	0.79	0.93	0.91	1.20	0.79	0.93	0.92
EFFICACY FACTOR	1.37	0.72	0.80	0.91	0.99	0.49	0.57	0.59	0.75	0.38	0.43	0.45
THD	< 10%											
CURRENT CREST FACTOR	< 1.7											
EMI/RFI COMPLIANCE	FCC PART 18-A											
SOUND RATING	" A "											
BALLAST TYPE	PROGRAMMED START											
VOLTAGE TRANSIENTS	ANSI 62.41											
INPUT/PROTECTION	FUUSE											
OUTPUT/PROTECTION	EOL											
MIN. OPERATING TEMP	-30 °C ( -22 °F )											
MAX. CASE TEMP	90 °C ( 194 °F ) SEE FOOT NOTE WARRANTY											
TYPE "HL" APPROVAL	APPROVED FOR HAZARDOUS LOCATION											
REMOTE MOUNTING	18 FT MAX											
TYPE "CC" APPROVAL	Approved for Commercial Cabinets application											

