

SPECIFICATION SHEET : RHA-UNV-254-LT5

This Is An Original Product From Fulham Co., Inc

Description : RACEHORSE Series, Universal Operating Voltage, Program Preheat Start Ballast, End Of Life Protection, Auto Restart, Cold Starting Feature.

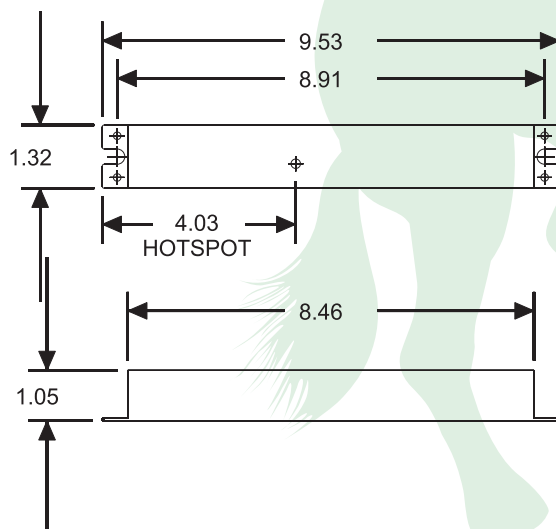
This Ballast Will Operate Following Lamps.



ELECTRICAL DATA (With 120 Volt Application)

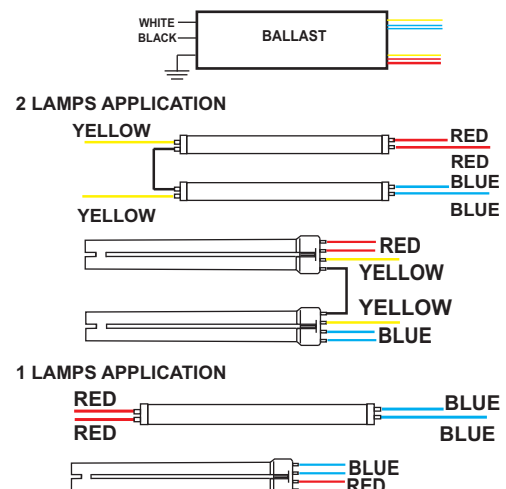
INPUT VOLT: 120V ± 10%, 50/60Hz												
LAMP WATTS/TYPE	F54T5/HO	FC12T5/HO	FT55	FT50	FT36	F54T5HO/49W	F54T5/HO	FC12T5/HO	FT55	FT50	FT36	F54T5HO/49W
LAMPS OPERATED	1						2					
INPUT WATTS	62	55	58	61	42	53	120	106	112	118	80	103
LINE CURRENT:	0.52	0.45	0.51	0.52	0.35	0.44	1.00	0.87	0.94	1.01	0.67	0.86
POWER FACTOR	0.98	0.98	0.98	0.98	0.98	0.99	0.98	0.98	0.98	0.98	0.98	0.99
BALLAST FACTOR	1.03	0.88	0.93	1.15	1.17	0.99	1.00	0.86	0.91	1.12	1.20	0.99
EFFICACY FACTOR	1.66	1.60	1.60	1.89	2.80	1.88	0.83	0.81	0.81	0.95	1.49	0.96
THD	10%	10%	10%	10%	10%	4%	10%	10%	10%	10%	10%	5%
CURRENT CREST FACTOR	< 1.7											
EMI/RFI COMPLIANCE	FCC PART 18-A											
SOUND RATING	" A "											
BALLAST TYPE	PROGRAMMED START											
VOLTAGE TRANSIENTS	ANSI C82.11 - 1993											
INPUT/PROTECTION	FUSE											
OUTPUT/PROTECTION	EOL											
MIN. OPERATING TEMP	-30 °C (-22 °F)											
MAX. CASE TEMP	90 °C (194 °F) SEE FOOT NOTE WARRANTY											
TYPE "HL" APPROVAL	APPROVED FOR HAZARDOUS LOCATION											
ENERGY STAR 4.0	-											
REMOTE MOUNTING	18 FT MAX.											
TYPE "CC" APPROVAL	Approved for Commercial Cabinets application											

MECHANICAL DATA



WIRING DIAGRAMS

WIRE	BLACK	WHITE	RED	BLUE	YELLOW	BROWN
LENGTH - INCHES	25 ± 1"	25 ± 1"	30 ± 1"	30 ± 1"	42 ± 1"	



NOTE : This Ballast Must Be Grounded

Fulham Co., Inc extends limited warranty only to the original purchaser or to the first user for the period of **3 years @ 90°C & 5 years @ 70°C** from the date of manufacture as indicated by the date code stamped on each product and when properly installed and under normal conditions of use. For additional warranty guide line, please refer to our Complete Product Catalog OR call Customer Service at 1-323-599-5000.

DUE TO A PROGRAM OF CONTINUOUS IMPROVEMENT, FULHAM Co., INC RESERVES THE RIGHT TO MAKE ANY VARIATION IN DESIGN OR CONSTRUCTION TO THE EQUIPMENT DESCRIBED.

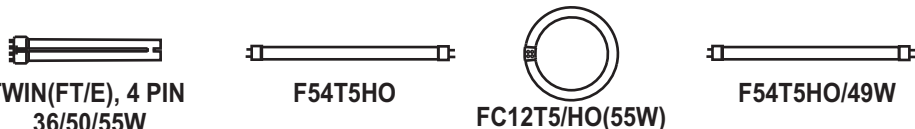
Address : 12705 South Van Ness Ave., Hawthorne, CA 90250 Tel.: 1-323-599-5000, Fax.: 1-323-754-9060. Website: www.fulham.com 2006-177-1 rev E

SPECIFICATION SHEET : RHA-UNV-254-LT5

This Is An Original Product From Fulham Co., Inc

Description : RACEHORSE Series, Universal Operating Voltage, Program Preheat Start Ballast, End Of Life Protection, Auto Restart, Cold Starting Feature.

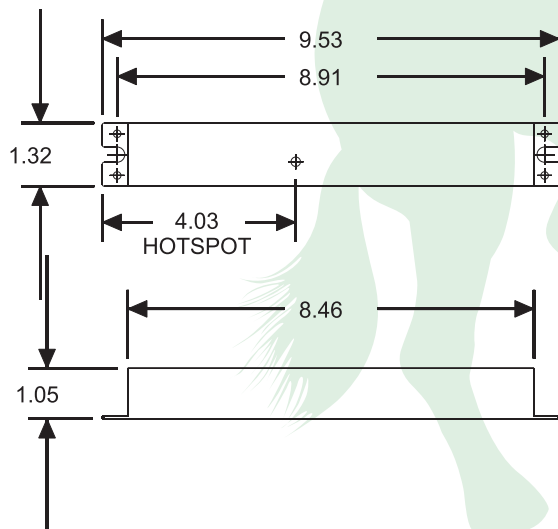
This Ballast Will Operate Following Lamps.



ELECTRICAL DATA (With 230 Volt Application)

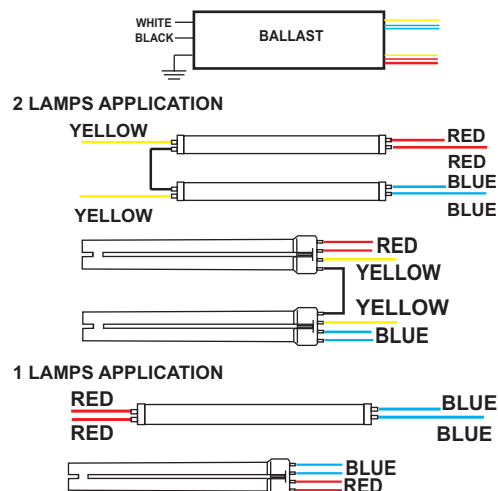
INPUT VOLT: 230V ± 10%, 50/60Hz												
LAMP WATTS/TYPE	F54T5/HO	FC12T5/HO	FT55	FT50	FT36	F54T5HO/49W	F54T5/HO	FC12T5/HO	FT55	FT50	FT36	F54T5HO/49W
LAMPS OPERATED	1						2					
INPUT WATTS	62	55	58	61	41	53	118	104	110	116	79	102
LINE CURRENT:	0.28	0.23	0.25	0.27	0.20	0.24	0.48	0.41	0.45	0.48	0.35	0.45
POWER FACTOR	0.95	0.95	0.95	0.95	0.95	0.97	0.98	0.98	0.98	0.98	0.95	0.99
BALLAST FACTOR	1.03	0.88	0.93	1.15	1.15	1.01	1.00	0.86	0.91	1.12	1.20	0.98
EFFICACY FACTOR	1.66	1.60	1.60	1.89	2.82	1.90	0.84	0.82	0.82	0.96	1.52	0.96
THD	15%	15%	15%	15%	10%	13%	10%	10%	10%	10%	10%	10%
CURRENT CREST FACTOR	< 1.7											
EMI/RFI COMPLIANCE	FCC PART 18-A											
SOUND RATING	" A "											
BALLAST TYPE	PROGRAMMED START											
VOLTAGE TRANSIENTS	ANSI C82.11 - 1993											
INPUT/PROTECTION	FUSE											
OUTPUT/PROTECTION	EOL											
MIN. OPERATING TEMP	-30 °C (-22 °F)											
MAX. CASE TEMP	90 °C (194 °F) SEE FOOT NOTE WARRANTY											
TYPE "HL" APPROVAL	APPROVED FOR HAZARDOUS LOCATION											
ENERGY STAR 4.0	-											
REMOTE MOUNTING	18 FT MAX.											
TYPE "CC" APPROVAL	Approved for Commercial Cabinets application											

MECHANICAL DATA



WIRING DIAGRAMS

WIRE	BLACK	WHITE	RED	BLUE	YELLOW	BROWN
LENGTH - INCHES	25 ± 1"	25 ± 1"	30 ± 1"	30 ± 1"	42 ± 1"	



NOTE : This Ballast Must Be Grounded

Fulham Co., Inc extends limited warranty only to the original purchaser or to the first user for the period of 3 years @ 90°C & 5 years @ 70°C from the date of manufacture as indicated by the date code stamped on each product and when properly installed and under normal conditions of use. For additional warranty guide line, please refer to our Complete Product Catalog OR call Customer Service at 1-323-599-5000.

DUE TO A PROGRAM OF CONTINUOUS IMPROVEMENT, FULHAM Co., INC RESERVES THE RIGHT TO MAKE ANY VARIATION IN DESIGN OR CONSTRUCTION TO THE EQUIPMENT DESCRIBED.

Address : 12705 South Van Ness Ave., Hawthorne, CA 90250 Tel.: 1-323-599-5000, Fax.: 1-323-754-9060. Website: www.fulham.com 2006-177-2 rev E

SPECIFICATION SHEET : RHA-UNV-254-LT5

This Is An Original Product From Fulham Co., Inc

Description : RACEHORSE Series, Universal Operating Voltage, Program Preheat Start Ballast, End Of Life Protection, Auto Restart, Cold Starting Feature.

This Ballast Will Operate Following Lamps.



TWIN(FT/E), 4 PIN
36/50/55W



F54T5HO



FC12T5/HO(55W)

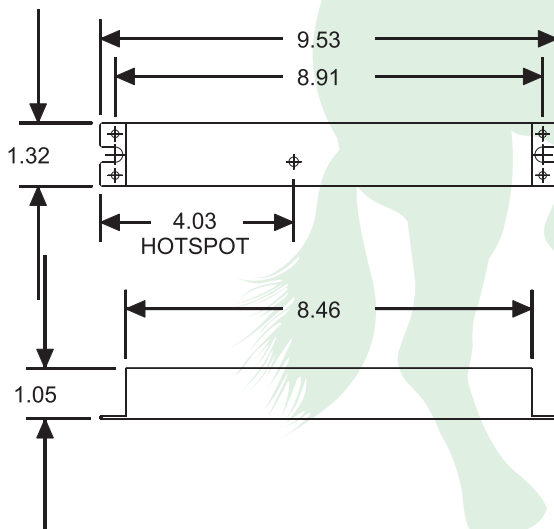


F54T5HO/49W

ELECTRICAL DATA (With 277 Volt Application)

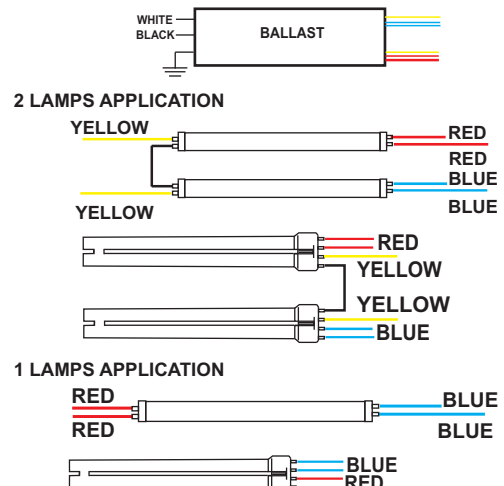
INPUT VOLT: 277V ± 10%, 50/60Hz												
LAMP WATTS/TYPE	F54T5/HO	FC12T5/HO	FT55	FT50	FT36	F54T5HO/49W	F54T5/HO	FC12T5/HO	FT55	FT50	FT36	F54T5HO/49W
LAMPS OPERATED	1						2					
INPUT WATTS	62	55	58	61	41	53	117	103	109	115	78	102
LINE CURRENT:	0.23	0.20	0.22	0.23	0.18	0.20	0.43	0.37	0.40	0.43	0.30	0.38
POWER FACTOR	0.90	0.90	0.90	0.90	0.90	0.93	0.97	0.97	0.97	0.97	0.95	0.97
BALLAST FACTOR	1.03	0.88	0.93	1.15	1.16	1.01	1.00	0.86	0.91	1.12	1.19	0.99
EFFICACY FACTOR	1.66	1.60	1.60	1.89	2.81	1.91	0.85	0.83	0.83	0.97	1.52	0.97
THD	20%	20%	20%	20%	10%	21%	10%	10%	10%	10%	10%	15%
CURRENT CREST FACTOR	< 1.7											
EMI/RFI COMPLIANCE	FCC PART 18-A											
SOUND RATING	" A "											
BALLAST TYPE	PROGRAMMED START											
VOLTAGE TRANSIENTS	ANSI C82.11 - 1993											
INPUT/PROTECTION	FUSE											
OUTPUT/PROTECTION	EOL											
MIN. OPERATING TEMP	-30 °C (-22 °F)											
MAX. CASE TEMP	90 °C (194 °F) SEE FOOT NOTE WARRANTY											
TYPE "HL" APPROVAL	APPROVED FOR HAZARDOUS LOCATION											
ENERGY STAR 4.0	-											
REMOTE MOUNTING	18 FT MAX.											
TYPE "CC" APPROVAL	Approved for Commercial Cabinets application											

MECHANICAL DATA



WIRING DIAGRAMS

WIRE	BLACK	WHITE	RED	BLUE	YELLOW	BROWN
LENGTH - INCHES	25 ± 1"	25 ± 1"	30 ± 1"	30 ± 1"	42 ± 1"	



NOTE : This Ballast Must Be Grounded

Fulham Co., Inc extends limited warranty only to the original purchaser or to the first user for the period of **3 years @ 90°C & 5 years @ 70°C** from the date of manufacture as indicated by the date code stamped on each product and when properly installed and under normal conditions of use. For additional warranty guide line, please refer to our Complete Product Catalog OR call Customer Service at 1-323-599-5000.

DUE TO A PROGRAM OF CONTINUOUS IMPROVEMENT, FULHAM Co., INC RESERVES THE RIGHT TO MAKE ANY VARIATION IN DESIGN OR CONSTRUCTION TO THE EQUIPMENT DESCRIBED.

Address : 12705 South Van Ness Ave., Hawthorne, CA 90250 Tel.: 1-323-599-5000, Fax.: 1-323-754-9060. Website: www.fulham.com 2006-177-3 rev E