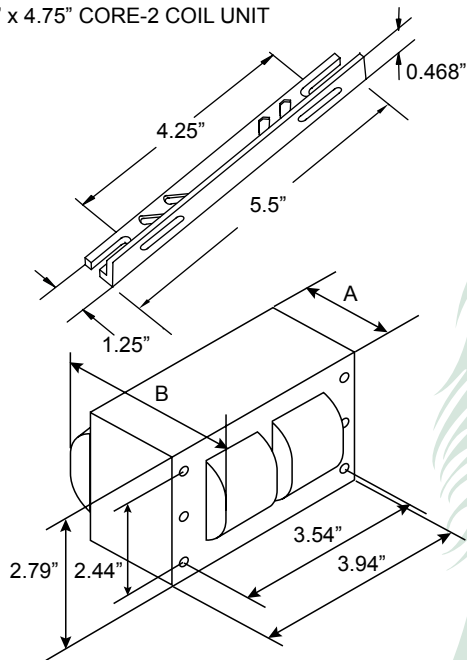


## Mechanical Data:

4.25" x 4.75" CORE-2 COIL UNIT



DIMENSION A	1.42 IN
DIMENSION B	2.83 IN
TOTAL WEIGHT	4.85 LBS
LEAD LENGTHS	12 IN

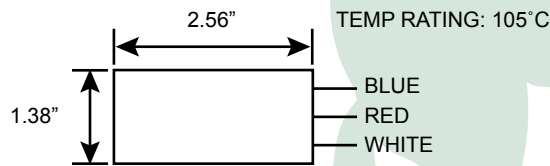
HARDWARE KIT: HH-MH-HDW2 CLAMP: HH-MH-IGCLMP  
 2 2" Thru-Bolts 4 Flat Washers  
 2 Lock Washers 2 Nuts

## Electrical Data:

INPUT VOLTS  
 MINIMUM STARTING TEMPERATURE  
 POWER FACTOR  
 ANSI CODE  
 CIRCUIT TYPE  
 WATTS INPUT  
 MAX INPUT CURRENT  
 NOM. OPEN CURRENT VOLTAGE  
 RECOMMENDED FUSE (Amps)  
 REGULATION  
 LINE VOLTS  
 LAMPS WATTS  
 INPUT WATTS AT LAMP DROPOUT  
 LINE CURRENT (AMPS)  
 OPERATING  
 OPEN CIRCUIT  
 STARTING  
 UL TEMPERATURE RATINGS  
 INSULATION CLASS  
 COIL TEMPERATURE CODE  
 CAPACITOR REQUIREMENT  
 MFD  
 MIN VOLT  
 IGNITOR  
 PART NUMBER  
 MAX DIST TO LAMP  
 60Hz TEST PROCEDURES  
 HIGH POTENTIAL TEST (VOLTS)  
 OPEN CIRCUIT VOLTAGE TEST (VOLTS)  
 SHORT CIRCUIT CURRENT TEST (AMPS)  
 SECONDARY CURRENT  
 INPUT CURRENT

120	208	240	277
-20°F or -30°C			
90%			
70 WATT LAMP, M-98			
HX-HPF			
86			
0.85	0.52	0.44	0.39
245			
3	2	2	2
±10%			
±10%			
85	152	176	195
0.85	0.52	0.44	0.39
0.200	0.115	0.010	0.090
0.690	0.372	0.340	0.290
B	C	C	B
H(180)			
1029			
8uF			
280			
HHMH-IG70-150			
2 FT			
1 MIN: 2000, 2 SEC: 2500			
235-255			
1.00-1.35			
2.391	1.405	1.217	1.054

## Ignitor:

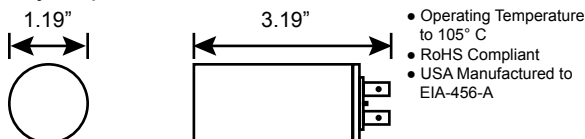


## Capacitor:

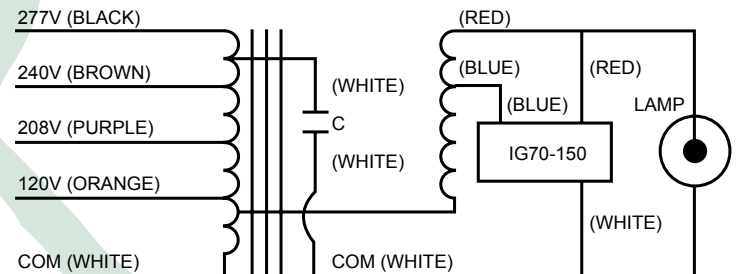
Wet Capacitor: HHMH-WCAP-70



Dry Capacitor: HHMH-DCAP-70



## Wiring Diagram:



## Options:

Basic Ballast Kit includes Ballast, Ignitor and Mounting Hardware only.  
 For capacitor option, add Base Model No. and one Capacitor code:

**D** = Dry Kit: Ballast + Ignitor + Dry Capacitor + Mounting Hardware  
**W** = Wet Kit: Ballast + Ignitor + Wet Capacitor + Mounting Hardware

HID Ballast and Lamp Kits also available; please see website [www.fulham.com](http://www.fulham.com).