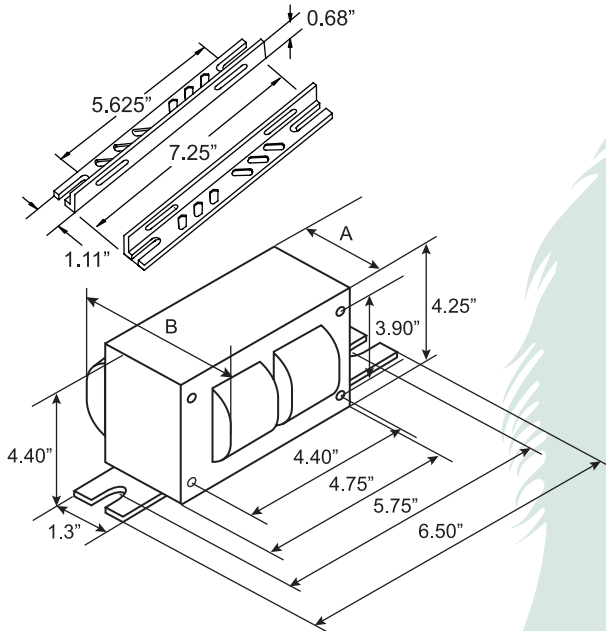


## Mechanical Data:

4.25" x 4.75" CORE-2 COIL UNIT



DIMENSION A	1.77 IN
DIMENSION B	3.74 IN
TOTAL WEIGHT	11 LBS
LEAD LENGTHS	12 IN

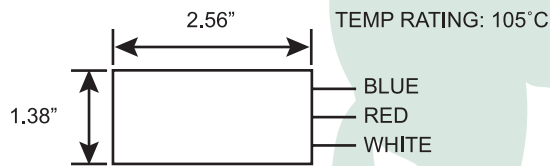
HARDWARE KIT: HH-MH-HDW2      CLAMP: HH-MH-IGCLMP  
 2 2" Thru-Bolts      4 Flat Washers  
 2 Lock Washers      2 Nuts

## Electrical Data:

INPUT VOLTS  
 MINIMUM STARTING TEMPERATURE  
 POWER FACTOR  
 ANSI CODE  
 CIRCUIT TYPE  
 WATTS INPUT  
 MAX INPUT CURRENT  
 NOM. OPEN CURRENT VOLTAGE  
 RECOMMENDED FUSE (Amps)  
 REGULATION  
     LINE VOLTS  
     LAMPS WATTS  
 INPUT WATTS AT LAMP DROPOUT  
 LINE CURRENT (AMPS)  
     OPERATING  
     OPEN CIRCUIT  
     STARTING  
 UL TEMPERATURE RATINGS  
     INSULATION CLASS  
     COIL TEMPERATURE CODE  
 CAPACITOR REQUIREMENT  
     MFD  
     MIN VOLT  
 IGNITOR  
     PART NUMBER  
     MAX DIST TO LAMP  
 60Hz TEST PROCEDURES  
 HIGH POTENTIAL TEST (VOLTS)  
 OPEN CIRCUIT VOLTAGE TEST (VOLTS)  
 SHORT CIRCUIT CURRENT TEST (AMPS)  
 SECONDARY CURRENT  
     INPUT CURRENT

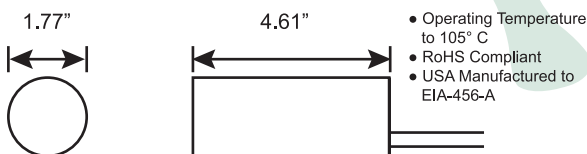
120	208	240	277
-20°F or -30°C			
90%			
350 WATTS LAMP, M-131			
CWA			
392			
3.282	1.930	1.660	1.429
265			
10	6	5	4
±10%			
±10%			
71	118	122	158
3.282	1.930	1.660	1.429
2.865	1.817	1.521	1.296
1.639	0.929	0.861	0.729
D	D	F	F
H(180)			
1029			
23uF			
400			
HH-MH-IG250-400			
2 FT			
1 MIN: 2000, 2 SEC: 2500			
240-290			
3.15-3.85			
1.854	1.058	0.925	0.814

## Ignitor:

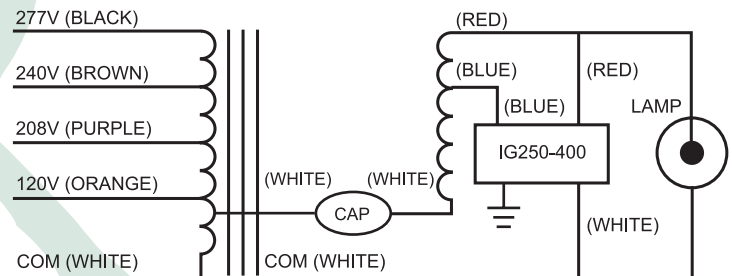


## Capacitor:

Dry Capacitor: HHMH-DCAP-350P



## Wiring Diagram:



## Options:

Basic Ballast Kit includes Ballast, Ignitor and Mounting Hardware only.  
 For capacitor option, add Base Model No. and one Capacitor code:  
**D** = Dry Kit: Ballast + Ignitor + Dry Capacitor + Mounting Hardware  
**W** = Wet Kit: Ballast + Ignitor + Wet Capacitor + Mounting Hardware

HID Ballast and Lamp Kits also available; please see website [www.fulham.com](http://www.fulham.com).