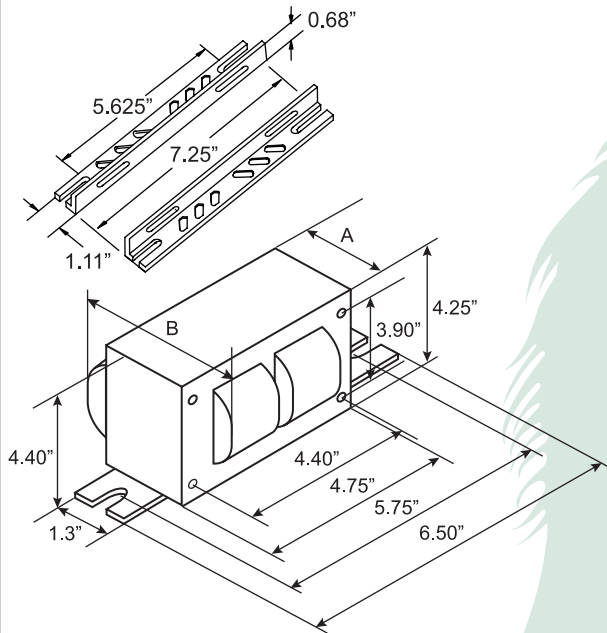


## Mechanical Data:

4.25" x 4.75" CORE-2 COIL UNIT



DIMENSION A	1.77 IN
DIMENSION B	3.54 IN
TOTAL WEIGHT	11 LBS
LEAD LENGTHS	12 IN

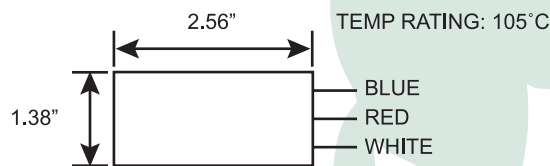
HARDWARE KIT: HH-MH-HDW2      CLAMP: HH-MH-IGCLMP  
 2 2" Thru-Bolts      4 Flat Washers  
 2 Lock Washers      2 Nuts

## Electrical Data:

INPUT VOLTS  
 MINIMUM STARTING TEMPERATURE  
 POWER FACTOR  
 ANSI CODE  
 CIRCUIT TYPE  
 WATTS INPUT  
 MAX INPUT CURRENT  
 NOM. OPEN CIRCUIT VOLTAGE  
 RECOMMENDED FUSE (Amps)  
 REGULATION  
 LINE VOLTS  
 LAMPS WATTS  
 INPUT WATTS AT LAMP DROPOUT  
 LINE CURRENT (AMPS)  
 OPERATING  
 OPEN CIRCUIT  
 STARTING  
 UL TEMPERATURE RATINGS  
 INSULATION CLASS  
 COIL TEMPERATURE CODE  
 CAPACITOR REQUIREMENT  
 MFD  
 MIN VOLT  
 IGNITOR  
 PART NUMBER  
 MAX DIST TO LAMP  
 60Hz TEST PROCEDURES  
 HIGH POTENTIAL TEST (VOLTS)  
 OPEN CIRCUIT VOLTAGE TEST (VOLTS)  
 SHORT CIRCUIT CURRENT TEST (AMPS)  
 SECONDARY CURRENT  
 INPUT CURRENT

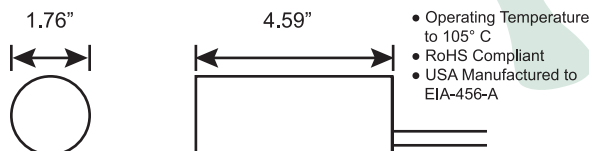
120	208	240	277
-20°F or -30°C			
90%			
320 WATTS LAMP, M132/M154			
CWA			
362			
3.030	1.725	1.520	1.310
270			
9.0	5.0	4.5	4.0
±10%			
±10%			
75	123	143	166
3.030	1.725	1.520	1.310
1.845	1.040	0.950	0.820
1.920	1.115	0.940	0.818
B	B	A	D
H(180)			
1029			
21uF			
400			
HH-MH-IG250-400			
2 FT			
1 MIN: 2000, 2 SEC: 2500			
245-295			
3.00-3.68			
2.038	1.170	1.103	0.876

## Ignitor:

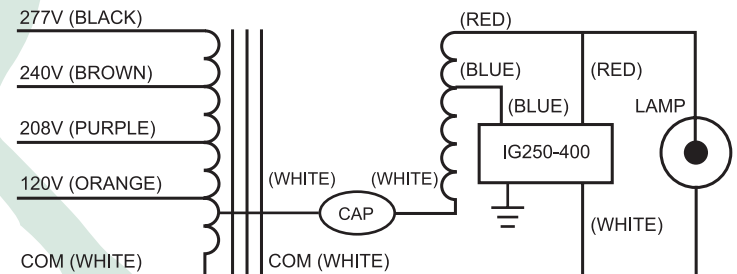


## Capacitor:

Dry Capacitor: HMMH-DCAP-320P



## Wiring Diagram:



## Options:

Basic Ballast Kit includes Ballast, Ignitor and Mounting Hardware only.  
 For capacitor option, add Base Model No. and one Capacitor code:  
**D** = Dry Kit: Ballast + Ignitor + Dry Capacitor + Mounting Hardware  
**W** = Wet Kit: Ballast + Ignitor + Wet Capacitor + Mounting Hardware

HID Ballast and Lamp Kits also available; please see website [www.fulham.com](http://www.fulham.com).