

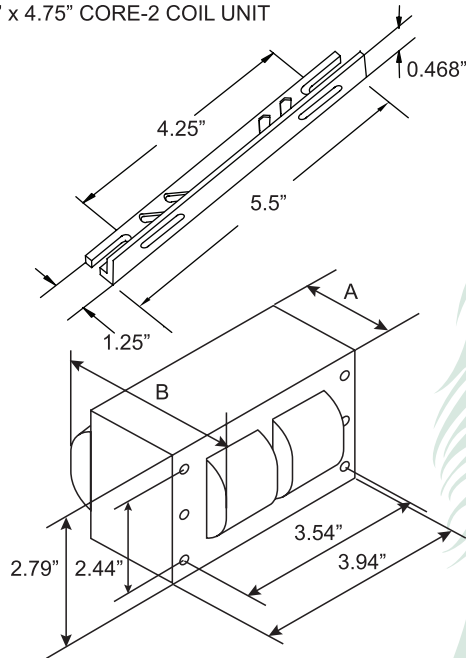
# Specification Sheet : HH-HPS-MLT4-150

150W S55      60 Hz HX-HPF  
Core & Coil Ballast      Status: Active



## Mechanical Data:

4.25" x 4.75" CORE-2 COIL UNIT



DIMENSION A	2.48 IN
DIMENSION B	3.82 IN
TOTAL WEIGHT	7.71 LBS
LEAD LENGTHS	12 IN

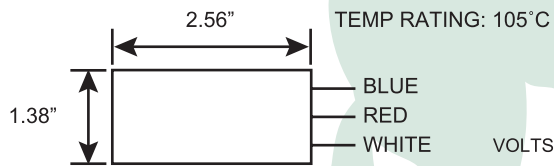
HARDWARE KIT: HH-MH-HDW3      CLAMP: HH-MH-IGCLMP  
2 3" Thru-Bolts      4 Flat Washers  
2 Lock Washers      2 Nuts

## Electrical Data:

INPUT  
MINIMUM STARTING TEMPERATURE  
POWER FACTOR  
ANSI CODE  
CIRCUIT TYPE  
WATTS INPUT  
MAX INPUT CURRENT  
NOM. OPEN CURRENT VOLTAGE  
RECOMMENDED FUSE (Amps)  
REGULATION  
    LINE VOLTS  
    LAMPS WATTS  
INPUT WATTS AT LAMP DROPOUT  
LINE CURRENT (AMPS)  
    OPERATING  
    OPEN CIRCUIT  
    STARTING  
UL TEMPERATURE RATINGS  
    INSULATION CLASS  
    COIL TEMPERATURE CODE  
CAPACITOR REQUIREMENT  
    MFD  
    MIN VOLT  
IGNITOR  
    PART NUMBER  
    MAX DIST TO LAMP  
60Hz TEST PROCEDURES  
HIGH POTENTIAL TEST (VOLTS)  
OPEN CIRCUIT VOLTAGE TEST (VOLTS)  
SHORT CIRCUIT CURRENT TEST (AMPS)  
SECONDARY CURRENT  
    INPUT CURRENT

120	208	240	277
-20°F or -30°C			
90%			
150 WATT LAMP, S-55			
HX-HPF			
185W			
1.66	0.96	0.83	0.72
120			
5	3	3	2
±10%			
±10%			
89	145	166	191
1.66	0.96	0.83	0.72
0.390	0.224	0.195	0.170
0.78	0.46	0.38	0.34
L	K	K	J
H(180)			
1029			
14uF			
280			
HH-HPS-IG70-150			
2 FT			
1 MIN: 2000, 2 SEC: 2500			
115-125			
3.95-5.00			
2.99	1.73	1.50	1.30

## Ignitor:

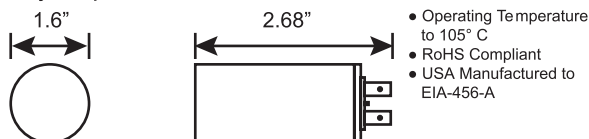


## Capacitor:

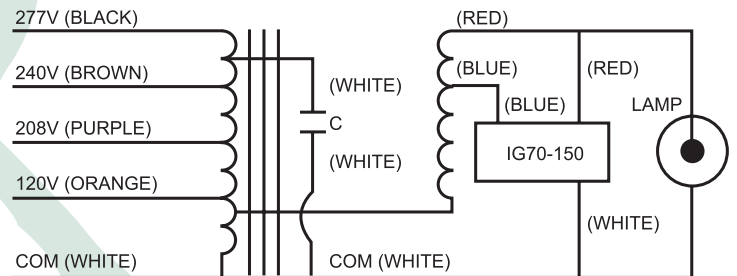
Wet Capacitor: HHHPS-WCAP-150



Dry Capacitor: HHHPS-DCAP-150



## Wiring Diagram:



## Options:

Basic Ballast Kit includes Ballast, Ignitor and Mounting Hardware only.  
For capacitor option, add Base Model No. and one Capacitor code:  
**D** = Dry Kit: Ballast + Ignitor + Dry Capacitor + Mounting Hardware  
**W** = Wet Kit: Ballast + Ignitor + Wet Capacitor + Mounting Hardware

HID Ballast and Lamp Kits also available; please see website [www.fulham.com](http://www.fulham.com).