

### Specifications:

Lamp Type	LED	
Lamp Wattage	Red	120VAC, 60Hz, 0.019A, 1.49W
		277VAC, 60Hz, 0.009A, 1.88W
	Green	120VAC, 60Hz, 0.019A, 1.49W
		277VAC, 60Hz, 0.009A, 1.57W
Emergency Operation	90 minutes	

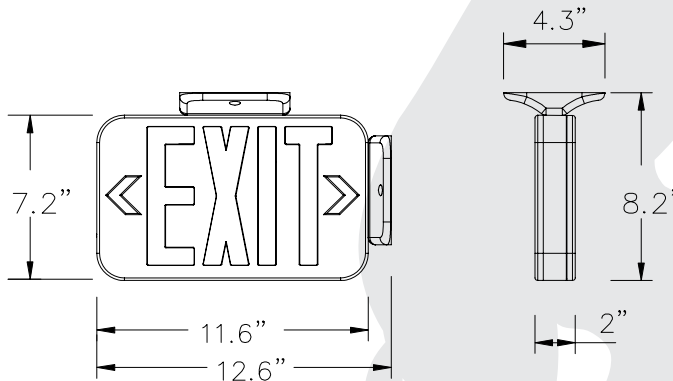
### Listings & Certifications:



### Model: FHEX20



### Mechanical Data:



### Standard Features:

- Push-to-test Switch
- LED Charge Indicator
- Ni-Cad Premium Battery
- Dual Voltage 120V/277V
- Specification Grade Design
- Universal Mount
- Long Life Energy Saving LED light source
- Field replaceable snap out/in chevron directional indicator.
- Snap-fit faceplate installs without use of tools
- Universal single face and double face (extra faceplate included)
- Universal mounting pattern knockout in backplate for J-box mounting

### Ordering Information:

Base Model No.	Case Color	Letter Color	Operation
FHEX20	W - White	R - Red	AC - AC Only
	B - Black	G - Green	EM - Battery Backup

Build part number by adding Base Model No., one of each Case Color, and Letter Color, and desired options code(s). Example: FHEX20-BG-EM