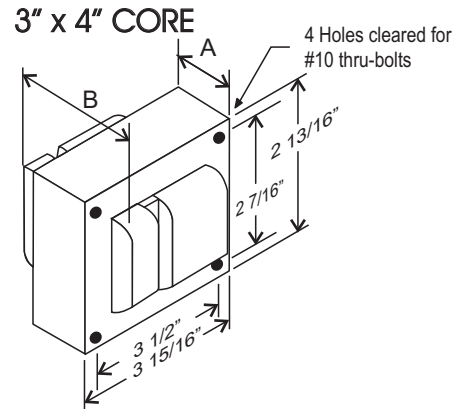


### CATALOG NUMBER: E-SZA0DD70 FOR ONE 70 WATT, S62 HIGH PRESSURE SODIUM LAMP

Line Voltage	480V
Regulation	
Line Volts	+/- 5%
Line Watts	WITHIN TRAPEZOID
Frequency	60 Hz
Circuit Type	HX-HPF
Power Factor (min)	90%
Insulation Class	H(180°)
Min. Ambient Starting Temp.	-40° F or -40° C

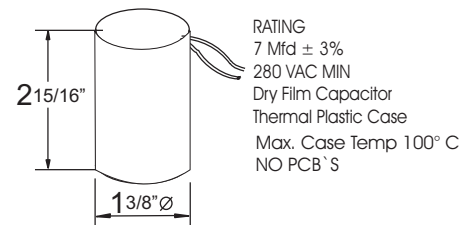
Line Voltage (Volts)	480
Line Current (Amps)	
Operating	0.20
Open Circuit	0.35
Starting	0.18
Input Watts (W)	91
Open Circuit Voltage (V)	120
Drop Out Voltage (V)	384
UL(1029) Bench Top Rise	A
Recommended Fuse (Amps)	2
HIGH POTENTIAL TEST (VOLTS)	
1Minute	2000
2 Seconds	2500
Open Circuit Voltage Test(volts)	110-135
Short-Circuit Current Test (Amps)	
Secondary Current	1.80 - 2.20
Input Current (Amps)	0.13 - 0.185



#### CORE AND COIL

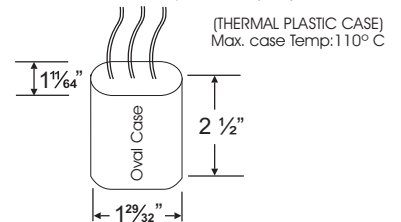
Dimension A (inches)	1.50
Dimension B (inches)	2.80
Weight (Lbs)	6.00
Lead Lengths (inches)	12

#### CAPACITOR

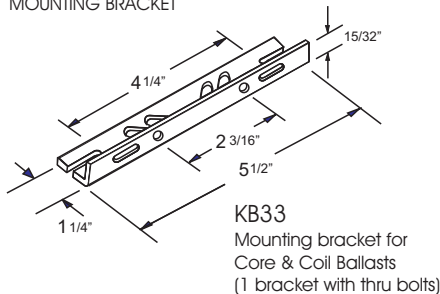


#### IGNITOR 37-63-AS-9.1-N7

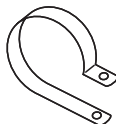
Ballast to Lamp Distance (BTL): 2 feet



#### BRACKET CORE & COIL MOUNTING BRACKET

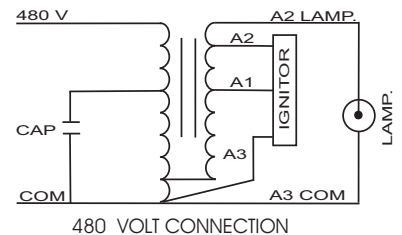


C-01  
MOUNTING CLIP for round  
case (Furnished as standard  
with B suffix ballast)



I-01  
MOUNTING CLIP for oval  
case (Furnished as standard  
with B suffix ballast)

#### WIRING DIAGRAM



Data is based upon tests performed by Industrias Sola Basic in a controlled environment and representative of relative performance. Actual Performance can vary depending on operating conditions. Specifications are subject to change without notice.



Certificate No. 006281



## LIGHTING & POWER

171 Ambassador Drive  
Units 8 & 9  
Mississauga, ON  
L5T 2J1

Phone: 905-670-0746  
Fax: 905-670-9689