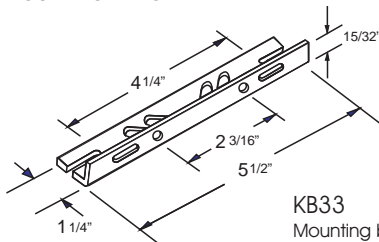


CATALOG NUMBER: E-MCA00W200 FOR ONE 200 WATT, M136 METAL HALIDE PULSE START LAMP

Line Voltage	120/208/240/277V
Regulation	
Line Volts	+/-10%
Lamp Watts	+/- 10%
Frequency	60 Hz
Circuit Type	CWA
Power Factor (min)	90%
Insulation Class	H(180°)
Min. Ambient Starting Temp.	-20° F or -30° C

Line Voltage (Volts)	120	208	240	277
Line Current (Amps)				
Operating	2.0	1.20	1.0	0.90
Open Circuit	2.0	1.20	1.0	0.90
Starting	1.0	0.60	0.52	0.45
Input Watts (W)	232	232	232	232
Open Circuit Voltage (V)	270	270	270	270
Drop Out Voltage (V)	65	105	125	150
UL(1029) Bench Top Rise	B	B	A	B
Recommended Fuse (Amps)	6	4	3	3
HIGH POTENTIAL TEST (VOLTS)				
1Minute	2000			
2 Seconds	2500			
Open Circuit Voltage Test(volts)	250-300			
Short-Circuit Current Test (Amps)				
Secondary Current	1.8 - 2.15			
Input Current (Amps)	0.70 - 1.15	0.35 - 0.65	0.30 - 0.60	0.25 - 0.50

BRACKET CORE & COIL MOUNTING BRACKET



KB33
Mounting bracket for
Core & Coil Ballasts
(1 bracket with thru bolts)



C-01
MOUNTING CLIP for round
case (Furnished as standard
with B suffix ballast)



I-01
MOUNTING CLIP for oval
case (Furnished as standard
with B suffix ballast)

ORDERING INFORMATION

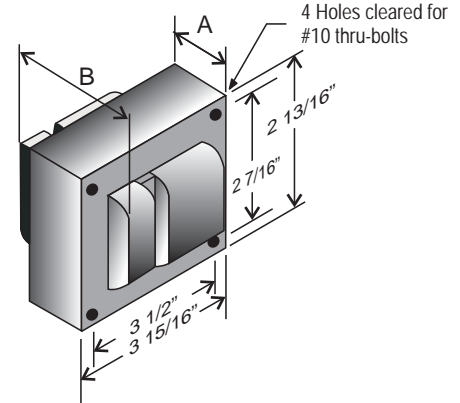
*** Add proper suffix to catalog number when ordering as indicated below:
No suffix = Core and Coil Only
B= Core and Coil, and Bracket
C=Core and Coil, and Capacitor
BC=Core and Coil, Capacitor and Bracket

Data is based upon tests performed by Industrias Sola Basic in a controlled environment and representative of relative performance. Actual Performance can vary depending on operating conditions. Specifications are subject to change without notice.

ISO 9001:2000



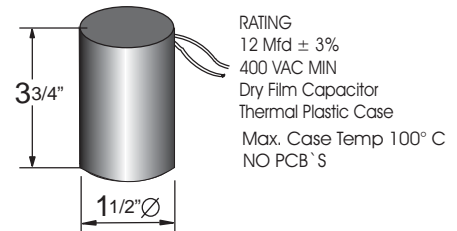
3" x 4" CORE



CORE AND COIL

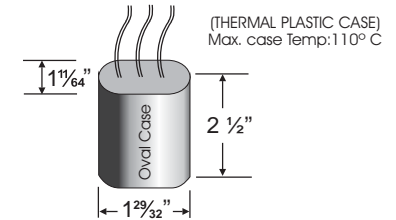
Dimension A (inches)	2.50
Dimension B (inches)	3.60
Weight (Lbs)	8.30
Lead Lengths (inches)	12

CAPACITOR



IGNITOR 356-AS-21-MH

Ballast to Lamp Distance (BTL): 2 feet



WIRING DIAGRAM

