

## INDOOR PAR SERIES    PAR20   PAR30   PAR38

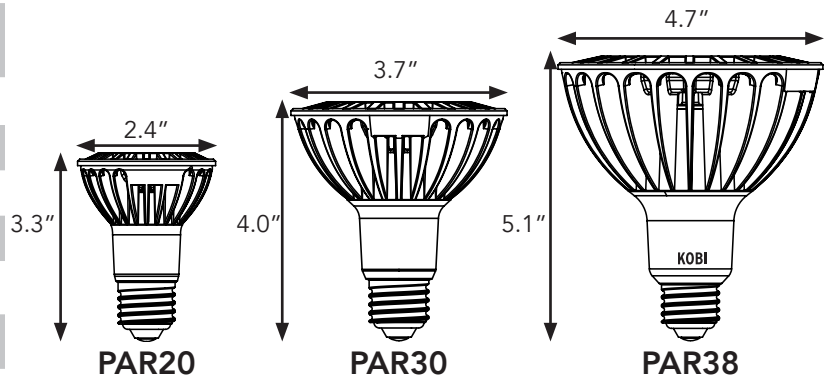


### BENEFITS

- Up to 80% more efficient than incandescent equivalent
- Longer life and lower maintenance costs
- Dimmable when used with approved dimming switch
- Mercury and Lead free, as well as UV and IR free
- Instant on to full brightness

### SPECIFICATIONS

EQUIVALENT	38 to 80 Watt Halogen
AVERAGE RATED LIFE	25,000 hrs
HOUSING	Aluminum
BASE	Medium (E26)
POWER	120V, 60Hz
LENS	Prismatic Polycarbonate
BEAM	25°
COLOR (K)	3000, 5000



### DIMMER COMPATIBILITY\*

**Lutron:** MACL-153M, LGCL-153PLH, TAL06P-C1-K-L, TGCL-153PH, AYCL-153P, DVCL-153P, DVSCCL-153P, SCL-153P, MSCL-OP153M, CTCL-153P, TTCL-100, SELV-300P, DVELV-300P **Cooper:** ASPIRE-9573, DEVINE-DLC03P, SKYE-SLC03P, SAL06P, AAL06-C1-K-L, DAL06P-C1-K-L

\*The listed dimmers have been tested and proven to work under limited laboratory conditions. All possible electrical conditions cannot be accurately simulated, and therefore some discrepancy may exist.

### APPLICATION INFORMATION

Applications	Market Segments
— Track Lighting	— Residential
— Recessed Can	— Hospitality
— Display Lights	— Office
	— Retail

### Application Notes

1. Operating temperature range between -20°C and +45°C (-4°F and +113°F)
2. Not for use with emergency light fixtures or exit lights
3. Not for use in totally enclosed fixture
4. Suitable for indoor/damp locations and sheltered outdoor use

This device complies with Part 15 of the FCC rules and has been tested and found to comply with the limits for a Class B digital device. These limits are designed to provide reasonable protection against harmful interference in a residential installation. This equipment uses and can radiate radio frequency energy and, if not installed and used in accordance with the instructions, may cause harmful interference to radio communications. Any changes or modifications not expressly approved by the manufacturer could void the user's authority to operate the equipment.

### CERTIFICATIONS



LM79 reports are available upon request.



Based on 12 hours of use per day.

**ORDERING INFORMATION**

**PAR20**

Order Code	Part Number	Wattage (W)	Base	Replaces	Voltage (V)	CCT <sup>1</sup>	Typical Lumens <sup>2</sup>	CRI <sup>3</sup>	Dim	Beam	Weight (lbs)	Case Quantity
K5L9	LED-PAR20-350-30-NFL	6	E26	38W Halogen	120	3000	350	81	Yes	25°	0.3	24
K6L1	LED-PAR20-350-50-NFL	6	E26	38W Halogen	120	5000	350	85	Yes	25°	0.3	24

**PAR30**

Order Code	Part Number	Wattage (W)	Base	Replaces	Voltage (V)	CCT <sup>1</sup>	Typical Lumens <sup>2</sup>	CRI <sup>3</sup>	Dim	Beam	Weight (lbs)	Case Quantity
K6L2	LED-PAR30L-900-30-NFL	14	E26	70W Halogen	120	3000	900	81	YES	25°	0.7	18
K6L3	LED-PAR30L-900-50-NFL	14	E26	70W Halogen	120	5000	900	83	YES	25°	0.7	18

**PAR38**

Order Code	Part Number	Wattage (W)	Base	Replaces	Voltage (V)	CCT <sup>1</sup>	Typical Lumens <sup>2</sup>	CRI <sup>3</sup>	Dim	Beam	Weight (lbs)	Case Quantity
K6L4	LED-PAR38-1100-30-NFL	16	E26	80W Halogen	120	3000	1100	81	YES	25°	1.2	18
K6L5	LED-PAR38-1100-50-NFL	16	E26	80W Halogen	120	5000	1100	83	YES	25°	1.2	18

1. Thermally stable typical CCT (±10%) 2. Thermally stable typical lumens (±10%) 3. CRI - Color Rendering Index

For the most up-to-date specifications, visit [kobielectric.com](http://kobielectric.com).