



MasterColor CDM-R111 Elite

MasterColor CDM-R111 Elite 35W/930 GX8.5 40D

MasterColor CDM-R111 Elite combines the trendy look of 111 mm aluminum-reflector halogen lamps with the long life, high energy efficiency and crisp white light of MasterColor CDM.

Product data

• General Characteristics

Base	GX8.5
Bulb	R111 [R 111mm]
Bulb Finish	Reflector
Operating Position	Universal [Any or Universal (U)]
Life to 5% failures EM	5000 hr
Life to 5% failures EL	8000 hr
Life to 10% failures EM	5500 hr
Life to 10% failures EL	9500 hr
Life to 20% failures EM	6000 hr
Life to 20% failures EL	10500 hr
Avg. Life	7500 hr
Avg. Hrs. Life	12000 hr

LLMF - end nominal lifetime	70 %
Forward Lum Maintenance 2000h	90 %
Forward Lum Maintenance 4000h	85 %
Forward Lum Maintenance 8000h	80 %
Forward Lum Maintenance 12000h	70 %
Design Mean Lumens	1500 Lm
Chromaticity Coordinate X	0.432 -
Chromaticity Coordinate Y	0.392 -
Luminous flux in 90° cone	1750 Lm

• Light Technical Characteristics

Beam Description	Flood [Flood]
Beam Angle	40 D
Beam Angle Technical	27 (min), 36 (nom), 45 (max) D
Approx. MBCP	4500 cd
Color Code	930 [CCT of 3000K]
Color Rendering Index	87 (min), 90 (nom) Ra8
Color Designation	Warm White
Color Temperature	3000 K
Color Temperature technical	3000 K
Forward Luminous Output	1800 Lm
Forward Luminous Efficacy	46 Lm/W

• Electrical Characteristics

System Power EM	47 W
System Power EL	43 W
Watts	35 W
Lamp Wattage	35 W
Lamp Wattage EM 25°C, Rated	39.0 W
Lamp Wattage EL	35 W
Lamp Wattage EL 25°C, Rated	39.0 W
Lamp Voltage	89 V
Lamp Current EM	0.440 A
Lamp Current EL	0.440 A
Ignition Time	30 (max) s
Run-up time 90%	3 (max) min
Re-ignition Time [min]	15 (max) min
Dimmable	No

PHILIPS

MasterColor CDM-R111 Elite

Warm-up Time to 60% Light Outp 120 s

Diameter D 111 (max) mm
Max Overall Length (MOL) - C 3.75 (max) in

• Environmental Characteristics

Energy Efficiency Label (EEL) A
Mercury (Hg) Content 4.7 mg
Energy consumption kWh/1000h 43 kWh

• Product Data

Product number 430744
Full product name MasterColor CDM-R111 Elite 35W/930 GX8.5 40D
Short product name MASTERC CDM-R111 Elite 35W/930 GX8.5 40D
Pieces per Sku 1
eop_pck_cfg 6
Skus/Case 6
Bar code on pack 46677430740
Bar code on case 50046677430745
Logistics code(s) 928195505306
tpd_ilcos_cd MRS/UB-35/930-H-GX8.5-111/88/40
eop_net_weight_pp 0.096 kg

• Measuring Conditions

Switching cycle 1050X

• Product Dimensions

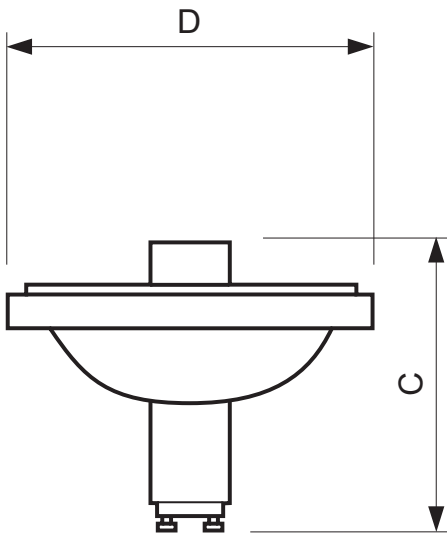
Overall Length C 95 (max) mm

- Use only with electronic control gear. 35W/930 lamps may also use electromagnetic gear

Warnings and Safety

- Control gear must include end-of-life protection (IEC61167, IEC 62035)

Dimensional drawing



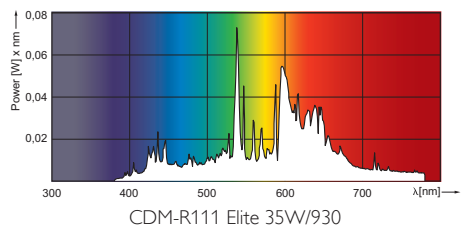
MasterColor CDM-R111 Elite 35W/930 GX8.5 40D

Product	C (Max)	D (Max)
CDM-R111 Elite 35W/930 40D	95	111



GX8.5

Photometric data



© 2013 Koninklijke Philips N.V. (Royal Philips)
All rights reserved.

Specifications are subject to change without notice. Trademarks are the property of Koninklijke Philips N.V. (Royal Philips) or their respective owners.

www.philips.com/lighting

2013, October 17
data subject to change