



PAR38 LED Single Optic Lamps with AirFlux Technology

13PAR38/F25 3000 DIM AF SO 6/1

Philips PAR38 LED Single Optic Lamps with AirFlux Technology improves shopping experience with superior lighting aesthetics and optimal thermal efficiency in a sleek, lightweight design.

Product data

• General Characteristics

Cap-Base	E26
Bulb	PAR38 [PAR38 mm]
Rated Avg. Life (Hours)	45000 hr
Rated Lifetime (years)	41.1 an

• Light Technical Characteristics

Color Code	WH
Color Designation	White
Beam Angle	25 D
Beam Description	25D [Medium beam]
Correlated Color Temperature	3000 K
Approx. MBCP	5500 cd
CRI	80
Color Temp. (Kelvin)	3000 K [CCT 3000K]
Rated Luminous Flux	950 Lm

• Electrical Characteristics

Wattage	13 W
Wattage Technical	13 W
Voltage	120 V
Line Frequency	60 Hz

Power Factor	0.9 -
Lamp Current mA	126 mA
Dimmable	Yes
Wattage Equivalent	100 W

• Measuring Conditions

Switching cycle	20000x
-----------------	--------

• Product Dimensions

Overall Length C	130 mm
Diameter D	120 mm

• Product Data

Product number	430074
Full product name	13PAR38/F25 3000 DIM AF SO 6/1
Short product name	13PAR38/F25 3000 DIM AF RO 6/1
Pieces per Sku	1
eop_pck_cfg	6
Skus/Case	6
Bar code on pack	46677430078
Bar code on case	50046677430073
Logistics code(s)	929000252304
eop_net_weight_pp	0.370 kg

Warnings and Safety

- Suitable for use in damp locations.

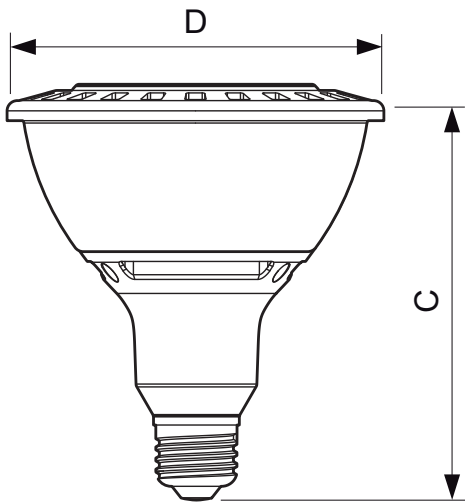
- Not for use in totally enclosed luminaires.



PHILIPS

PAR38 LED Single Optic Lamps with AirFlux Technology

Dimensional drawing



E26

13PAR38/F25 3000 DIM AF SO 6/1

Product	C (Norm)	C1 (Max)	D (Norm)	D1 (Norm)
LED 13W E26 3000K PAR38 25D DIM	130	-	120	-



© 2013 Koninklijke Philips N.V. (Royal Philips)
All rights reserved.

Specifications are subject to change without notice. Trademarks are the property of Koninklijke Philips N.V. (Royal Philips) or their respective owners.

www.philips.com/lighting

2013, October 23
data subject to change